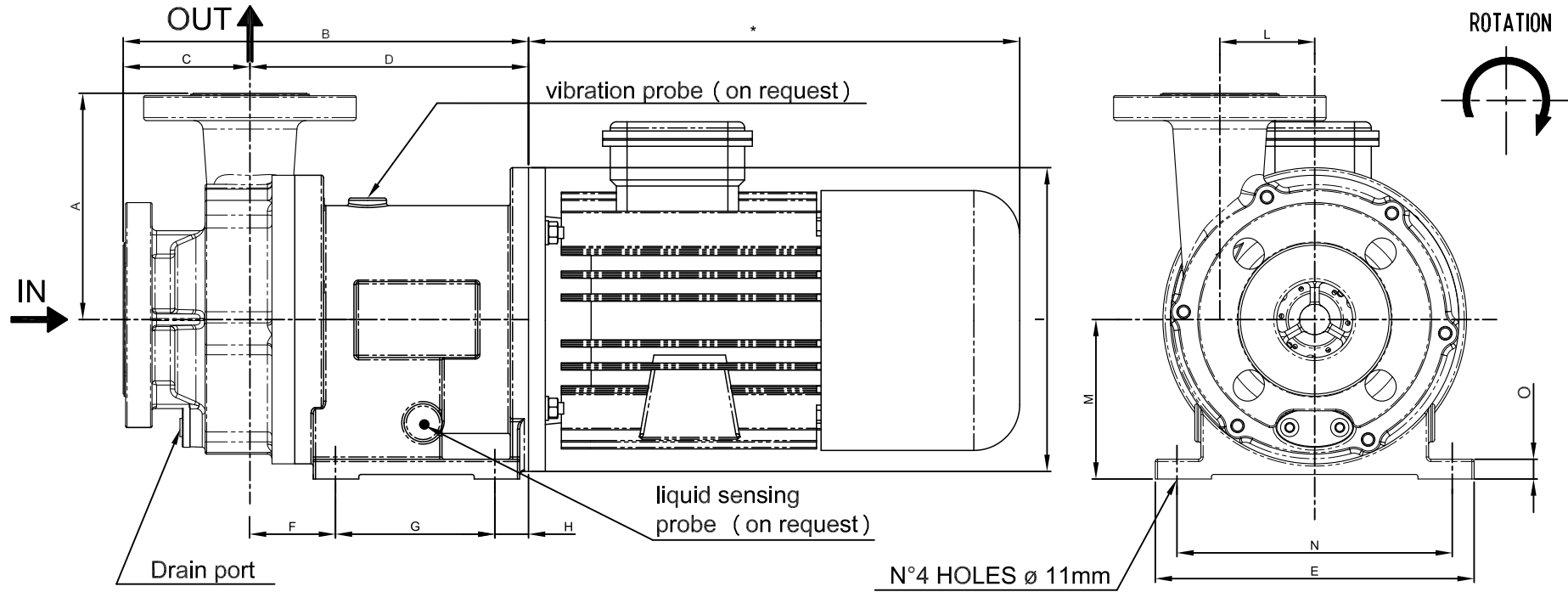


OUTLINE DRAWING

CODE: D 10731 Rev.:00



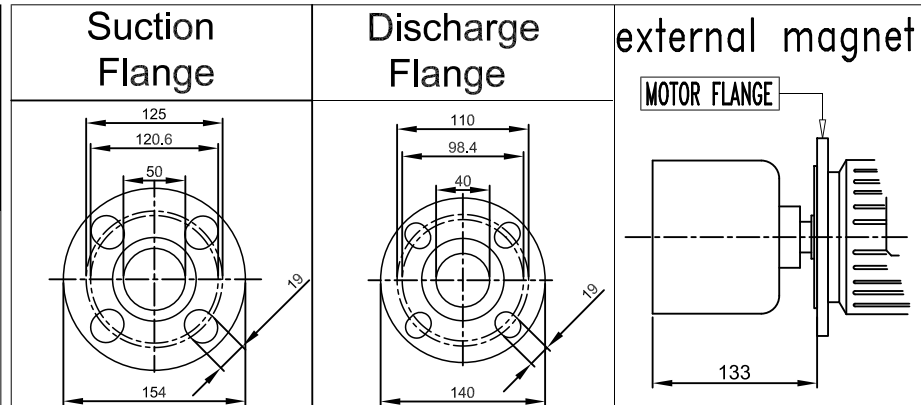
ITEM: Pump model: C MAG-PL50
PP-PVDF/ETFE-PFA

DIMENSIONS

A	B	C	D	E	F	G	H	I	L	M	N	O
149	267	83.5	183.5	210	56.7	106	20.8	200	62.5	105	180	13

- This drawing is for reference only
- Pump may be supplied without motor
- All dimensions are in millimeters

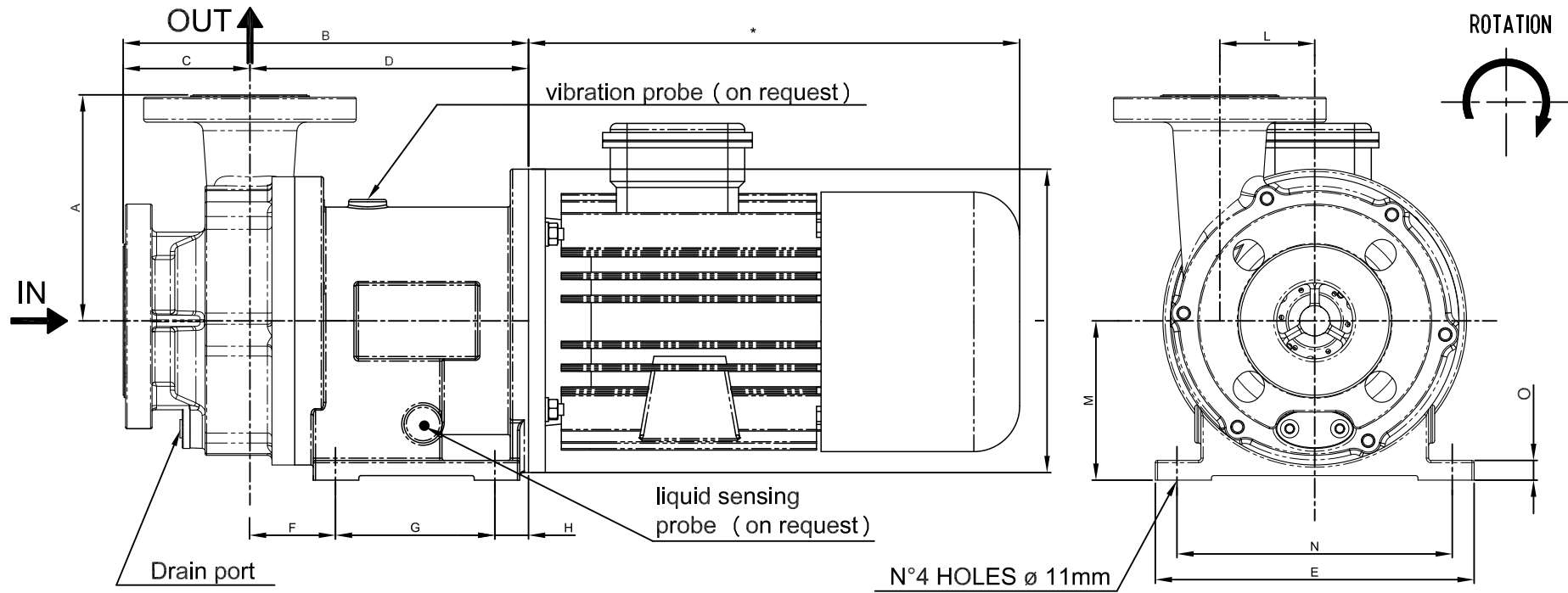
* Depend on the manufacturer



Motor: IEC Gr90 B5
Port connection: Universal Flanged

OUTLINE DRAWING

CODE: D 11051 Rev.:00



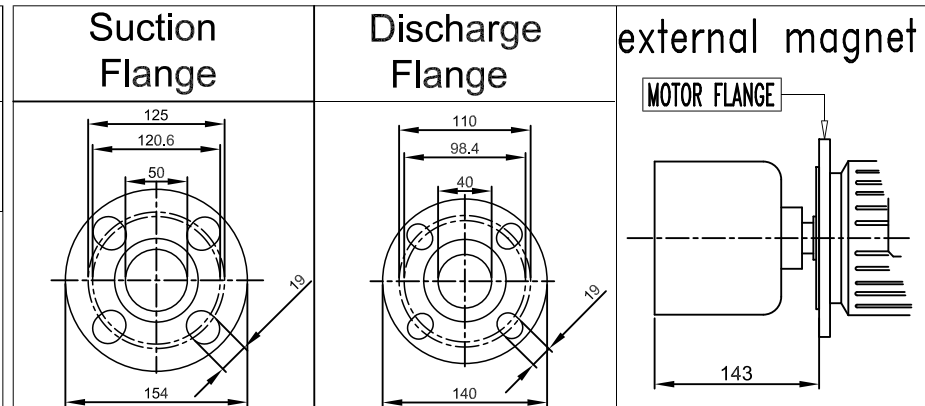
ITEM: Pump model: C MAG-PL50
PP-PVDF/ETFE-PFA

DIMENSIONS

A	B	C	D	E	F	G	H	I	L	M	N	O
149	277.5	83.5	194	220	53	120	21	250	62.5	135	180	15

- This drawing is for reference only
- Pump may be supplied without motor
- All dimensions are in millimeters

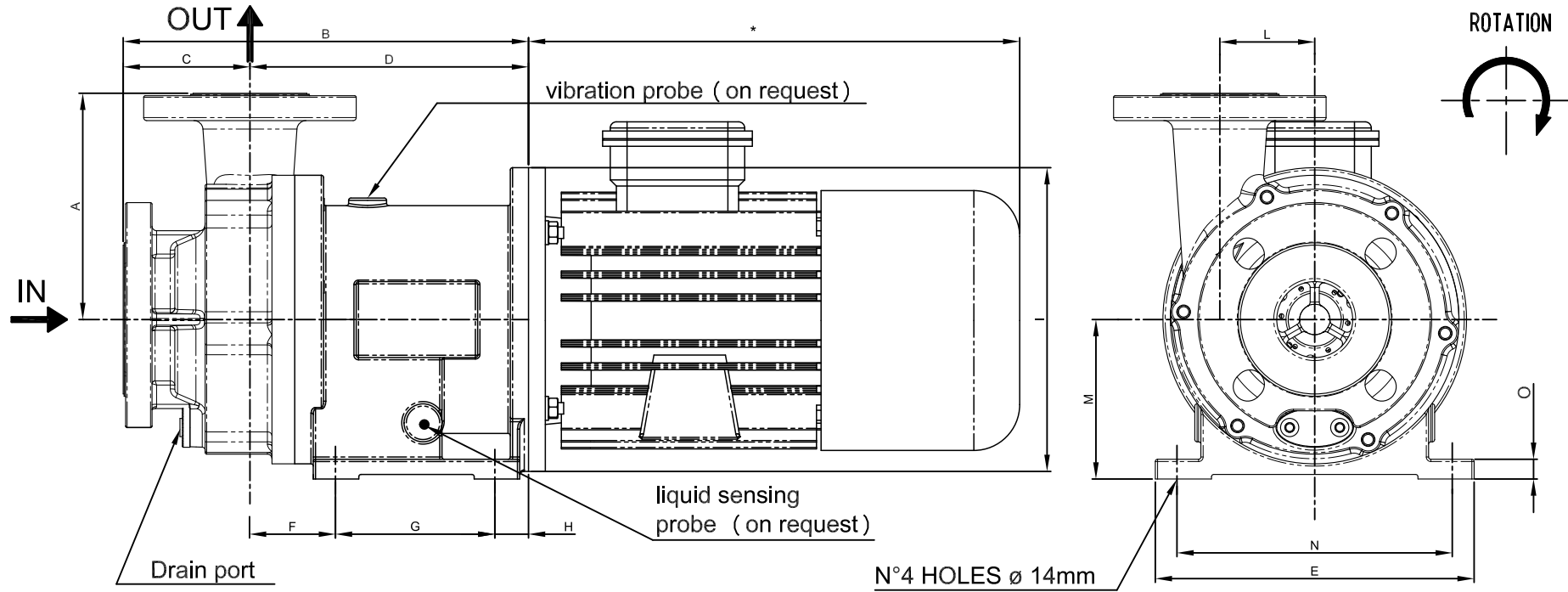
* Depend on the manufacturer



Motor: IEC Gr100/112 B5
Port connection: Universal Flanged

OUTLINE DRAWING

CODE: D 10732 Rev.:00



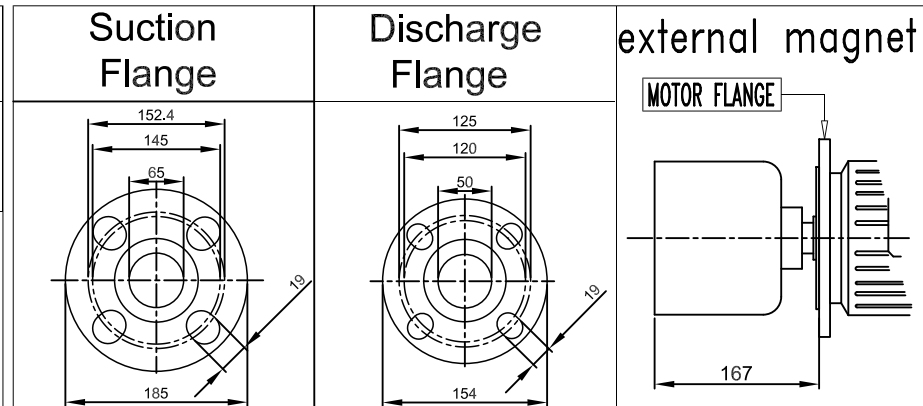
ITEM: Pump model: C MAG-PL65
PP-PVDF/ETFE-PFA

DIMENSIONS

A	B	C	D	E	F	G	H	I	L	M	N	O
171.5	320.5	103	217.5	250	80	100	37.5	250	73	135	210	15

- This drawing is for reference only
- Pump may be supplied without motor
- All dimensions are in millimeters

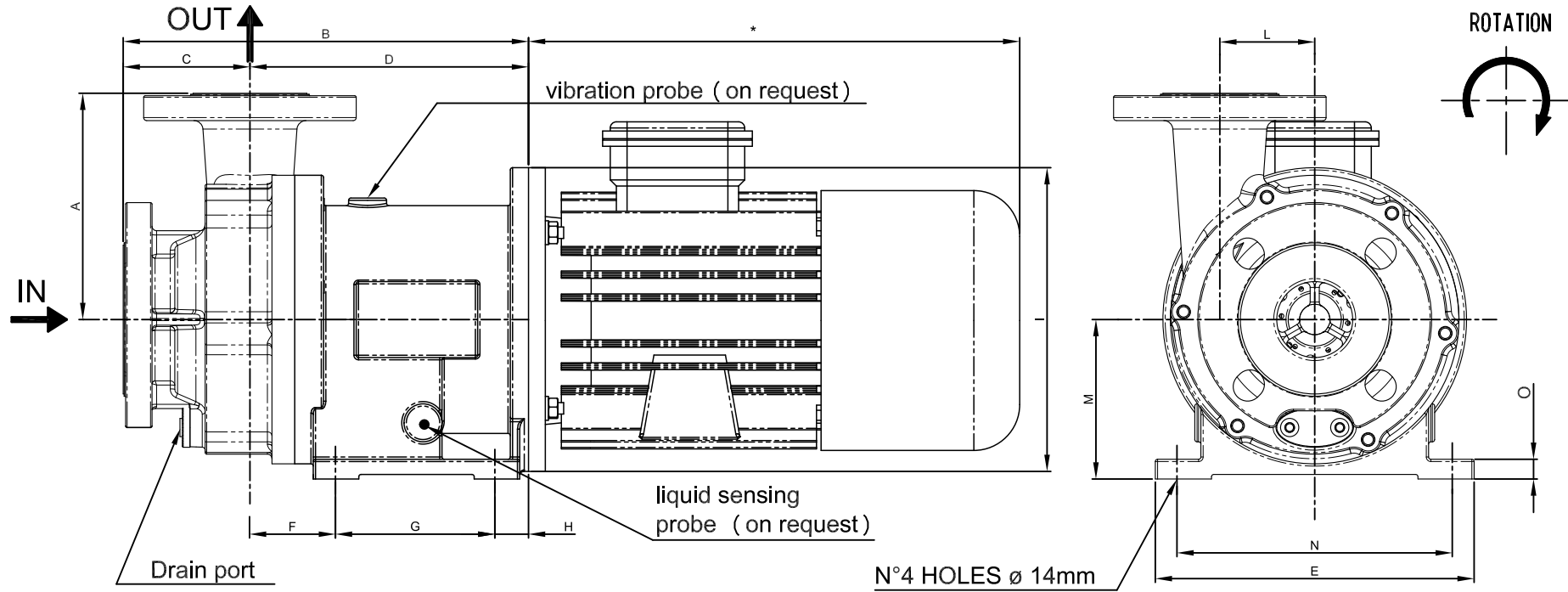
* Depend on the manufacturer



Motor: IEC Gr100/112 B5
Port connection: Universal Flanged

OUTLINE DRAWING

CODE: D 11052 Rev.:00



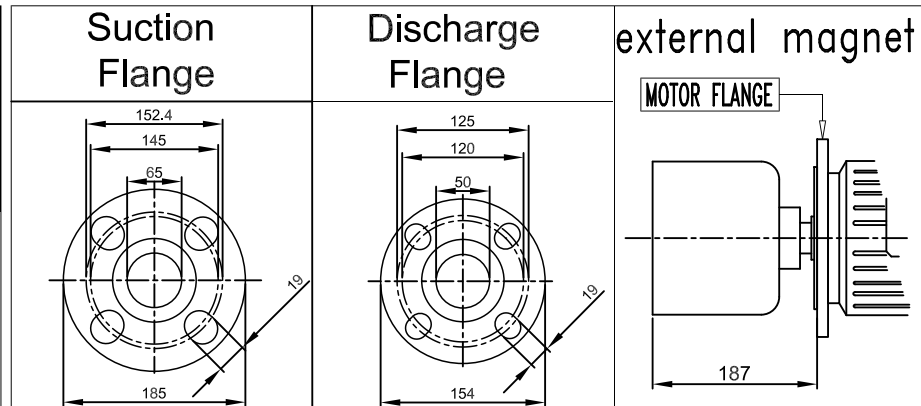
ITEM: Pump model: C MAG-PL65
PP-PVDF/ETFE-PFA

DIMENSIONS

A	B	C	D	E	F	G	H	I	L	M	N	O
171.5	340.5	103	237.5	250	80	120	37.5	300	73	153	210	15

- This drawing is for reference only
- Pump may be supplied without motor
- All dimensions are in millimeters

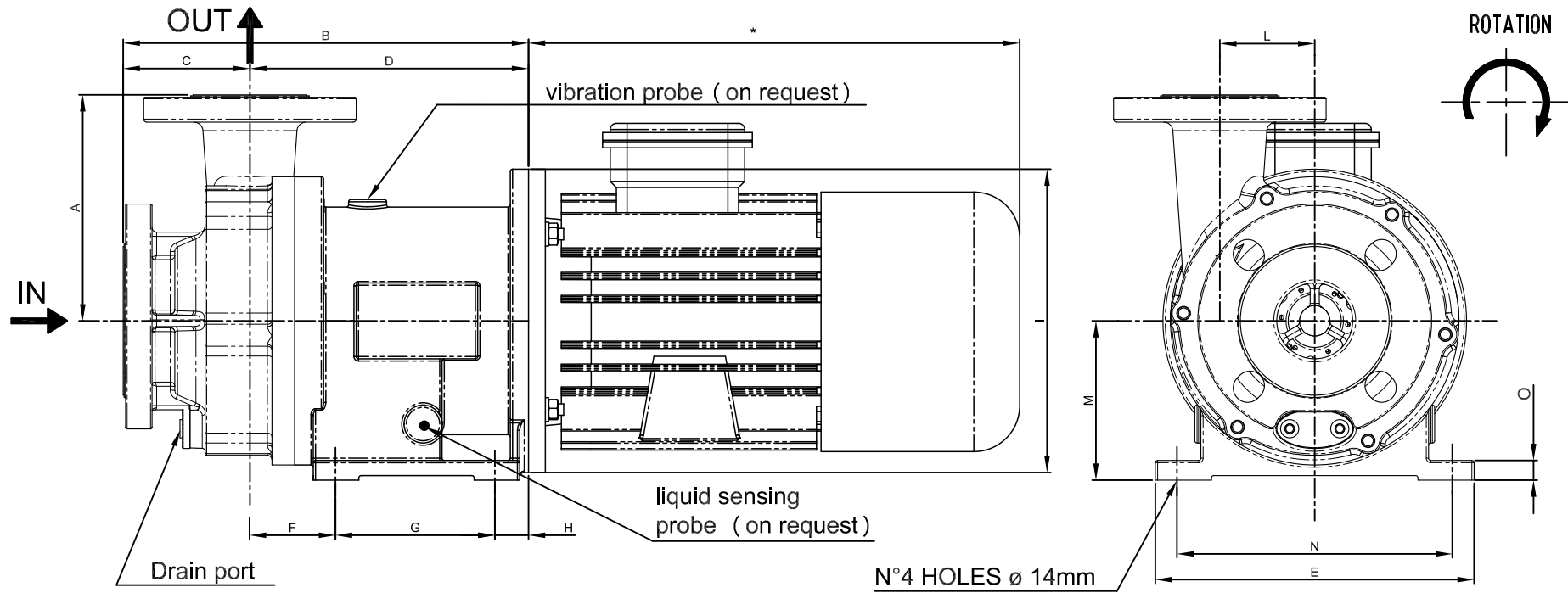
* Depend on the manufacturer



Motor: IEC Gr132 B5
Port connection: Universal Flanged

OUTLINE DRAWING

CODE: D 10733 Rev.:00



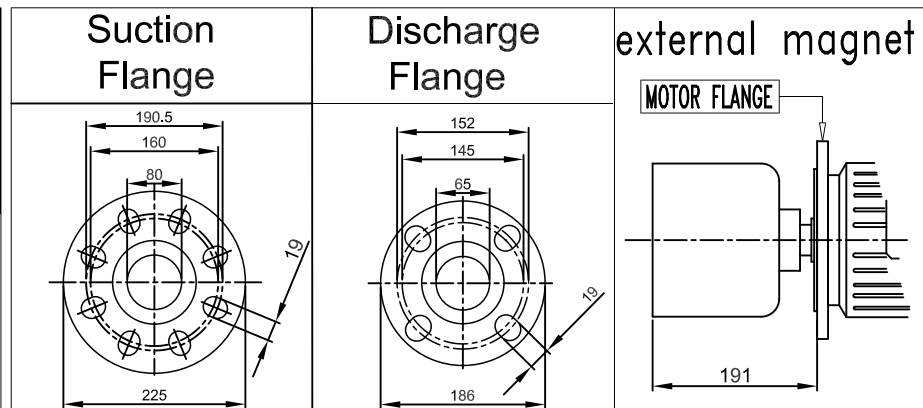
ITEM: Pump model: C MAG-PL80
PP-PVDF/ETFE-PFA

DIMENSIONS

A	B	C	D	E	F	G	H	I	L	M	N	O
198	367.5	121	246.5	250	89	120	37.5	300	82	153	210	15

- This drawing is for reference only
- Pump may be supplied without motor
- All dimensions are in millimeters

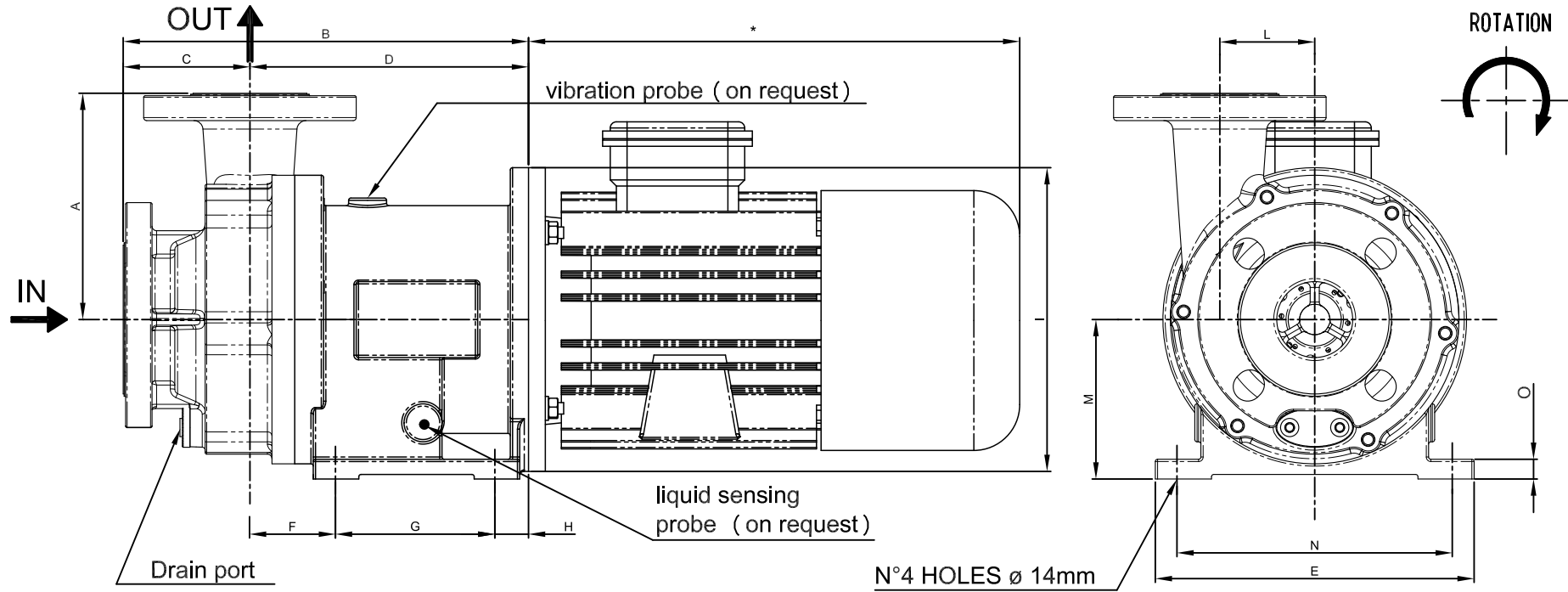
* Depend on the manufacturer



Motor: IEC Gr132 B5
Port connection: Universal Flanged

OUTLINE DRAWING

CODE: D 11000 Rev.:00



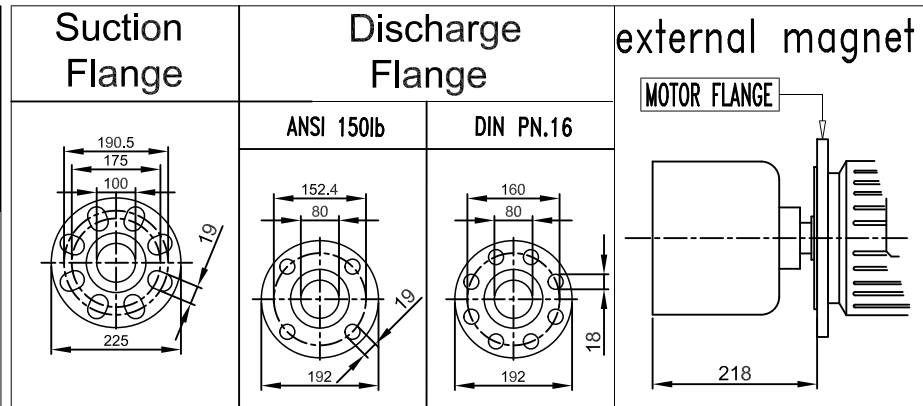
ITEM: Pump model: C MAG-PL100
PP-PVDF/ETFE-PFA

DIMENSIONS

A	B	C	D	E	F	G	H	I	L	M	N	O
227	408.5	128.5	280	290	92.5	150	37.5	350	102	180	250	20

- This drawing is for reference only
- Pump may be supplied without motor
- All dimensions are in millimeters

* Depend on the manufacturer



Motor: IEC Gr160 B5
Port connection: Universal Flanged