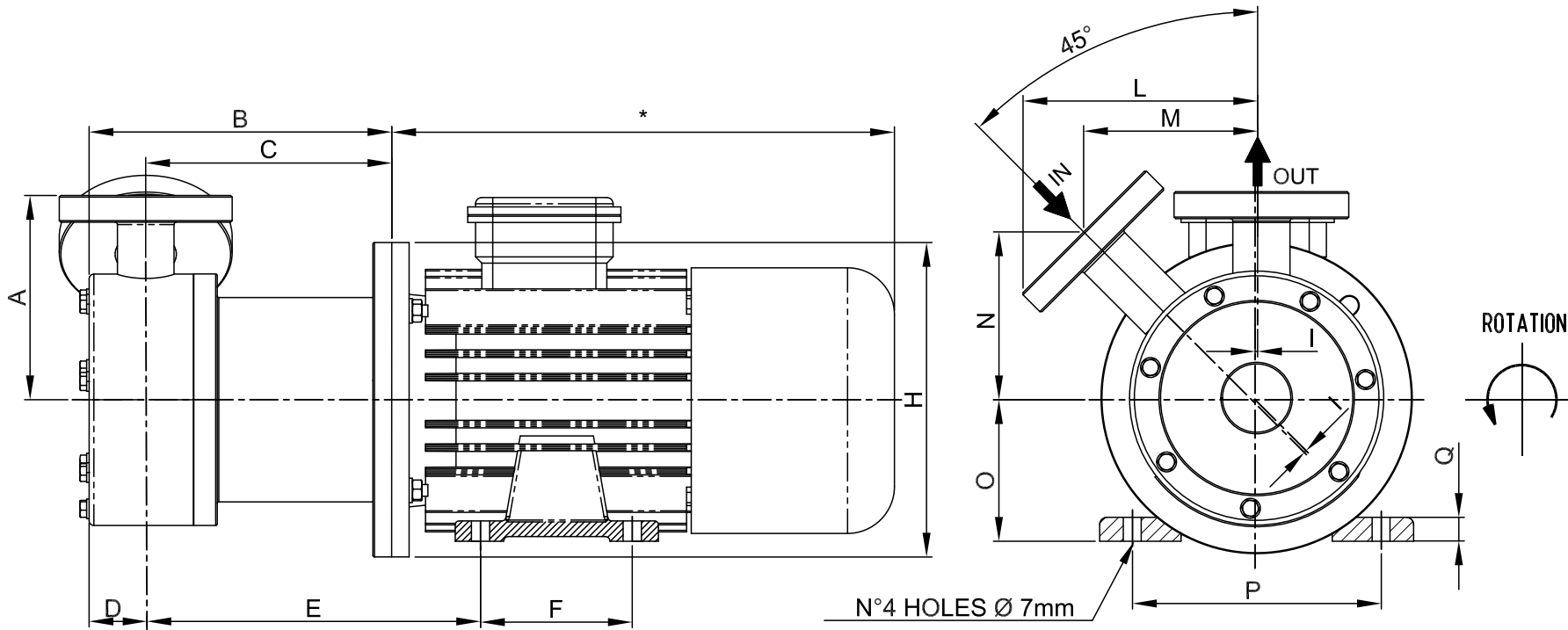


OUTLINE DRAWING

CODE: D 10481 Rev.:00



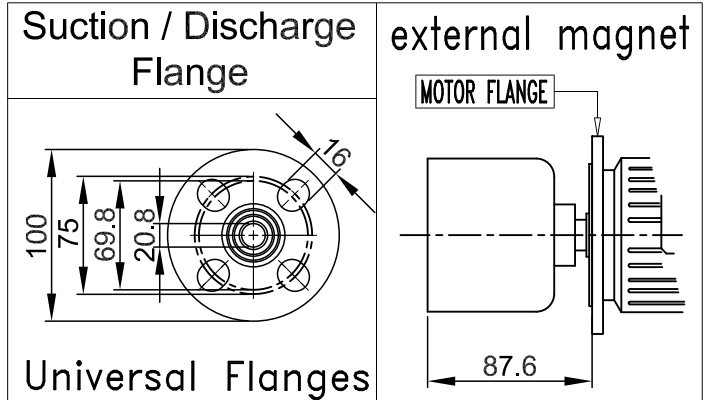
Pump model: T MAG-P32 PP/PVDF
 ITEM:
 Version with plastic bracket

DIMENSIONS

A	B	C	D	E	F	H	I	L	M	N	O	P	Q
111	148	117	31	157	80	140	4.2	134	100	90	63	100	7

- This drawing is for reference only
- Pump may be supplied without motor
- All dimensions are in millimeters
- All T MAG-P pumps are reversibles

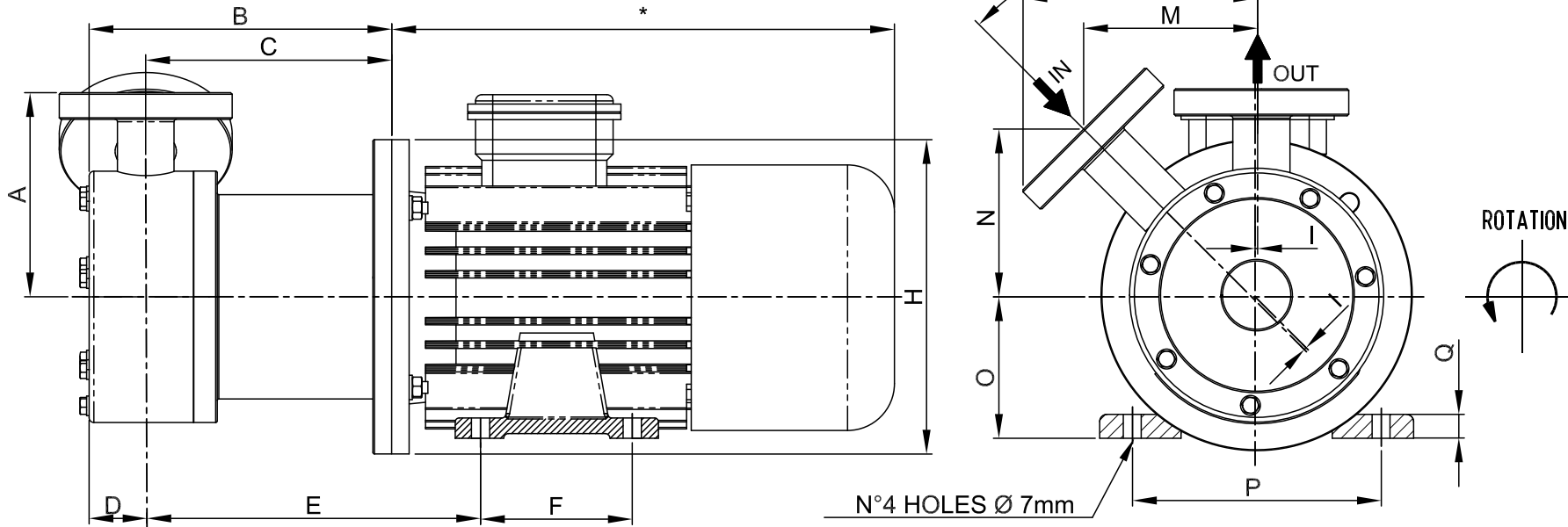
* Depend on the manufacturer



Motor: IEC Gr63 B3-B5
 Port connection: Flanges according to
 DIN 2501 PN10 / ANSI B 16.5 150 lb

OUTLINE DRAWING

CODE: D 10482 Rev.:00



Version with plastic bracket

ITEM:

Pump model: T MAG-P33 PP/PVDF

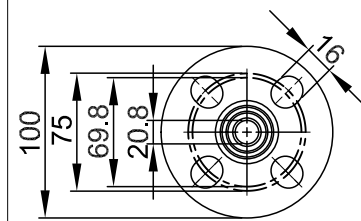
DIMENSIONS

A	B	C	D	E	F	H	I	L	M	N	O	P	Q
117	175	144	31	189	90	160	4.2	134	100	90	71	112	7

- This drawing is for reference only
- Pump may be supplied without motor
- All dimensions are in millimeters
- All T MAG-P pumps are reversibles

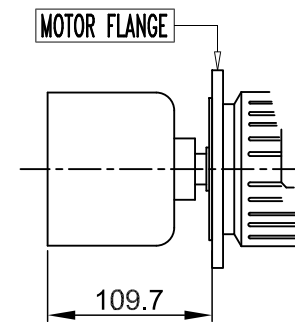
* Depend on the manufacturer

Suction / Discharge Flange



Universal Flanges

external magnet

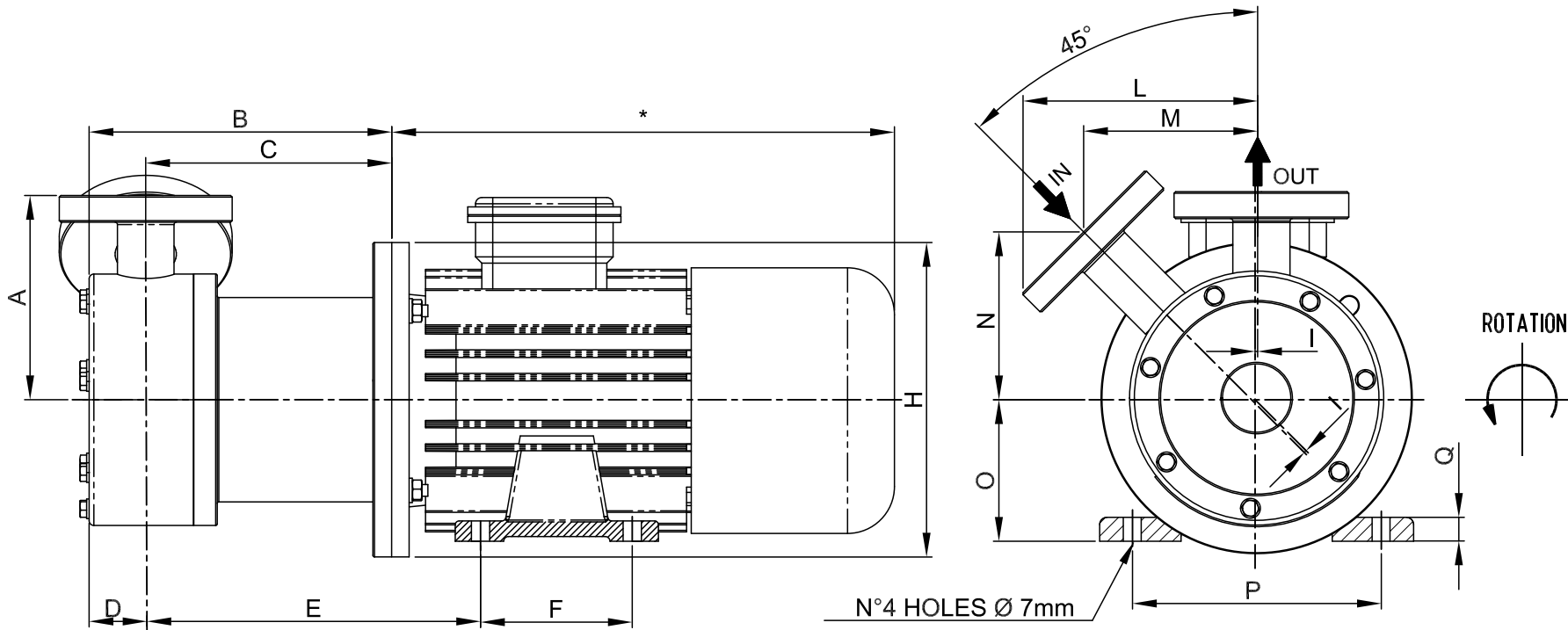


Motor: IEC Gr71 B3-B5

Port connection: Flanges according to DIN 2501 PN10 / ANSI B 16.5 150 lb

OUTLINE DRAWING

CODE: D 10484 Rev.:00



Version with plastic bracket

ITEM:

Pump model: T MAG-P52 PP/PVDF

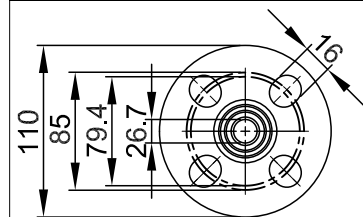
DIMENSIONS

A	B	C	D	E	F	H	I	L	M	N	O	P	Q
117	175	144	31	189	90	160	4.2	143	106	96	71	112	7

- This drawing is for reference only
- Pump may be supplied without motor
- All dimensions are in millimeters
- All T MAG-P pumps are reversibles

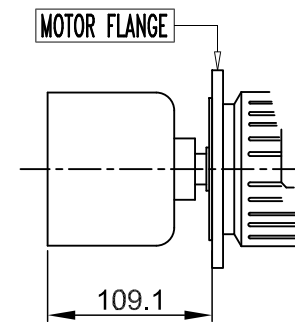
* Depend on the manufacturer

Suction / Discharge Flange



Universal Flanges

external magnet

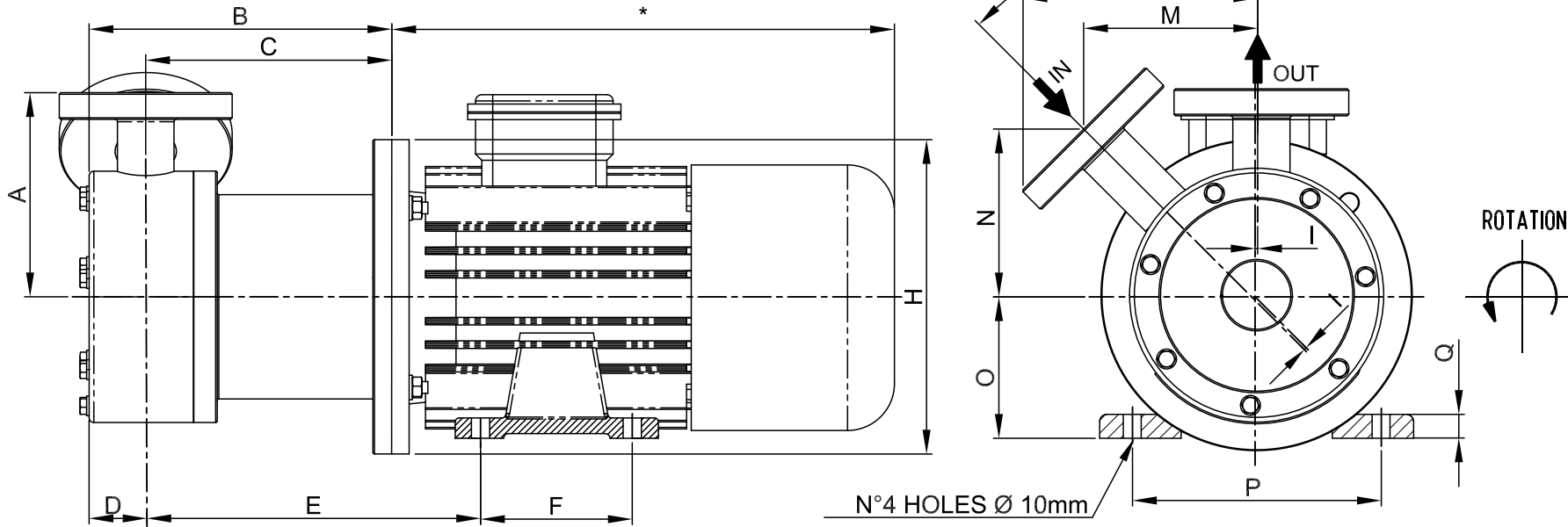


Motor: IEC Gr71 B3-B5

Port connection: Flanges according to DIN 2501 PN10 / ANSI B 16.5 150 lb

OUTLINE DRAWING

CODE: D 10485 Rev.:00



Version with plastic bracket

ITEM:

Pump model: T MAG-P53 PP/PVDF

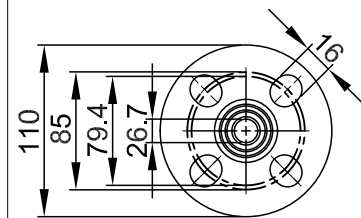
DIMENSIONS

A	B	C	D	E	F	H	I	L	M	N	O	P	Q
127	192.5	156.5	36	207	100	200	3.2	149	112	104	80	125	8

- This drawing is for reference only
- Pump may be supplied without motor
- All dimensions are in millimeters
- All T MAG-P pumps are reversibles

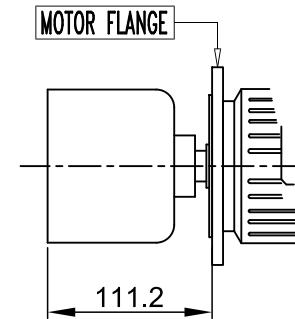
* Depend on the manufacturer

Suction / Discharge Flange



Universal Flanges

external magnet

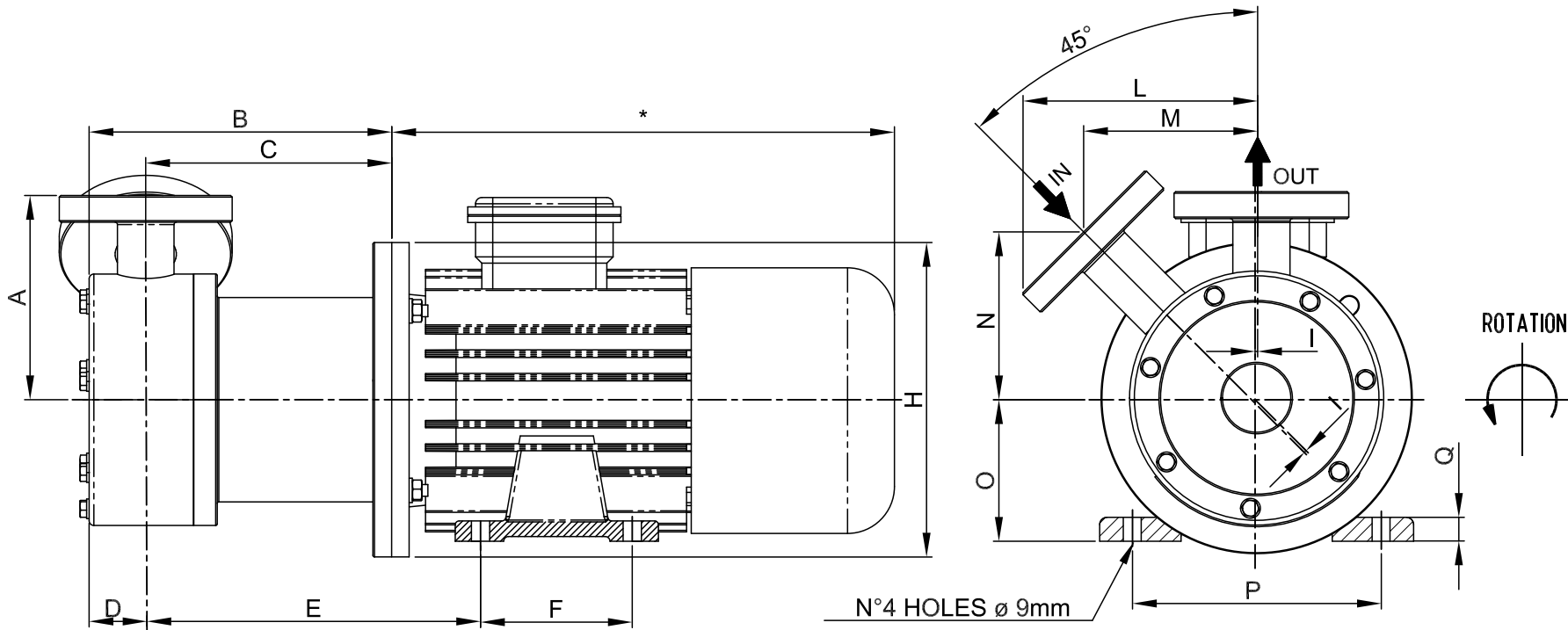


Motor: IEC Gr80 B3-B5

Port connection: Flanges according to DIN 2501 PN10 / ANSI B 16.5 150 lb

OUTLINE DRAWING

CODE: D 10486 Rev.:00



Version with plastic bracket

ITEM:

Pump model: T MAG-P72 PP/PVDF

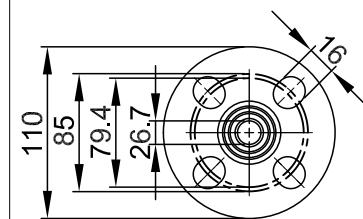
DIMENSIONS

A	B	C	D	E	F	H	I	L	M	N	O	P	Q
127	192.5	156.5	36.4	206.1	100	200	3.2	149	112	104	80	125	8

- This drawing is for reference only
- Pump may be supplied without motor
- All dimensions are in millimeters
- All T MAG-P pumps are reversibles

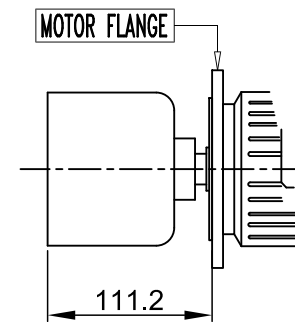
* Depend on the manufacturer

Suction / Discharge Flange



Universal Flanges

external magnet

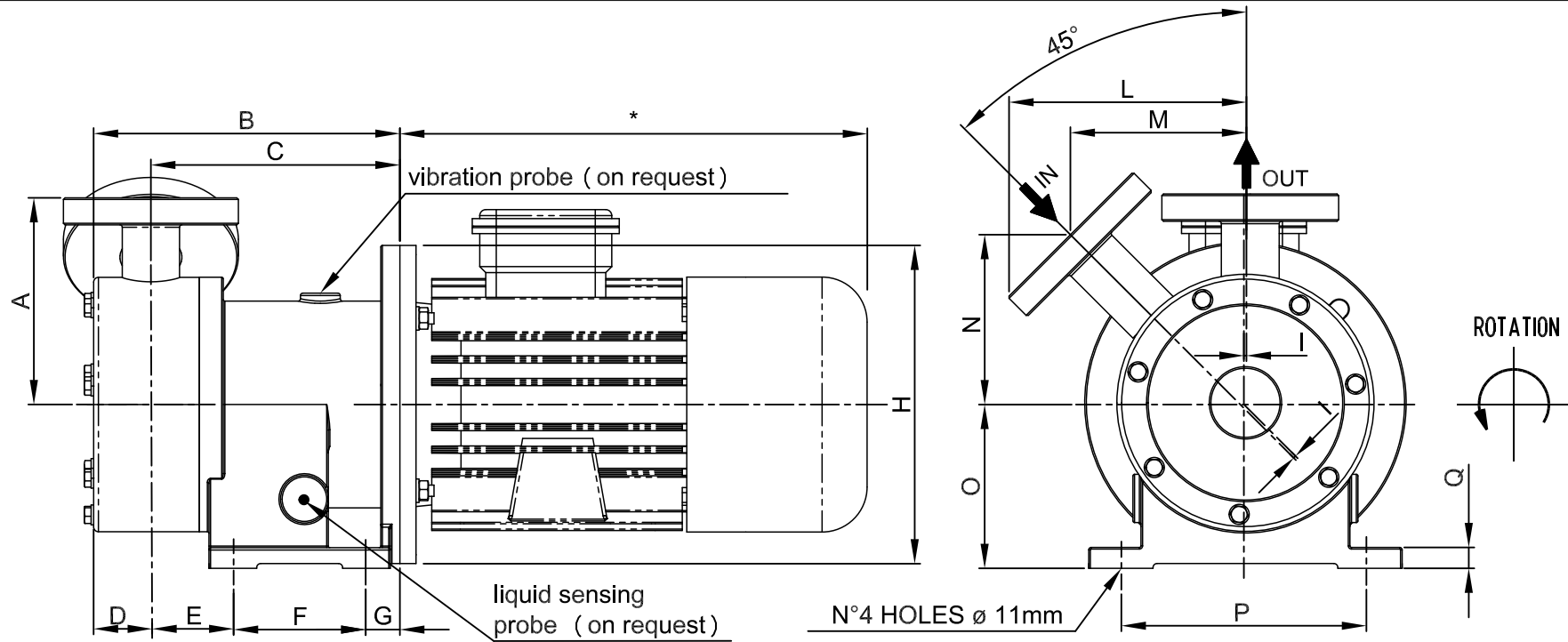


Motor: IEC Gr80 B3-B5

Port connection: Flanges according to DIN 2501 PN10 / ANSI B 16.5 150 lb

OUTLINE DRAWING

CODE: D 10458 Rev.:00

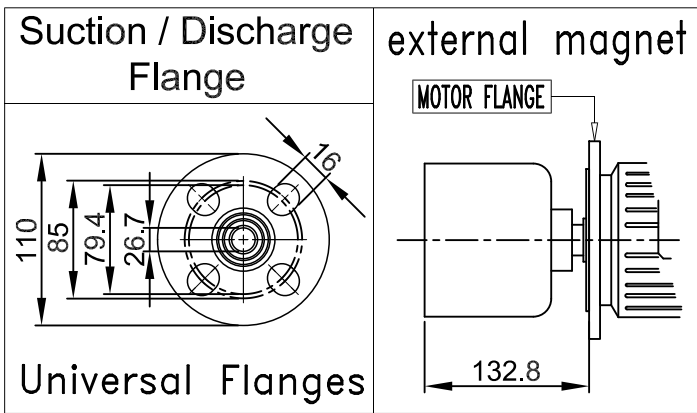


ITEM: Pump model: T MAG-P73 PP/PVDF

DIMENSIONS

A	B	C	D	E	F	G	H	I	L	M	N	O	P	Q
142	231	191	40	64	106	21	200	4.5	154	117	106	105	180	13

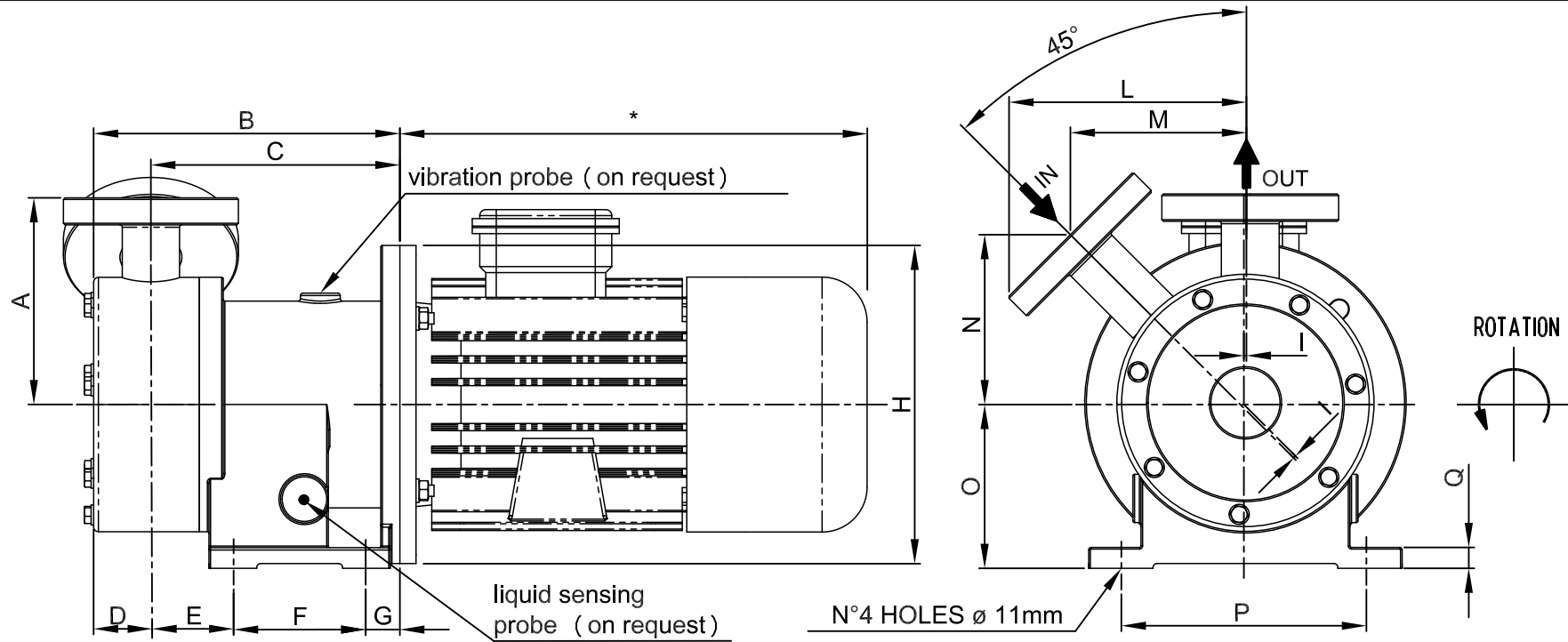
- This drawing is for reference only
 - Pump may be supplied without motor
 - All dimensions are in millimeters
 - All T MAG-P pumps are reversibles
- * Depend on the manufacturer



Motor: IEC Gr90 B5
 Port connection: Flanges according to DIN 2501 PN10 / ANSI B 16.5 150 lb

OUTLINE DRAWING

CODE: D 10487 Rev.:00



ITEM: Pump model: T MAG-P73 pp/PVDF

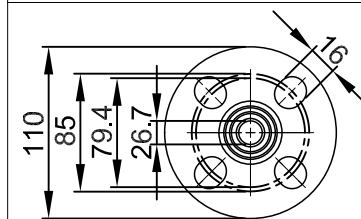
DIMENSIONS

A	B	C	D	E	F	G	H	I	L	M	N	O	P	Q
142	241	201	40	60	120	21	250	4.5	154	117	106	135	180	15

- This drawing is for reference only
- Pump may be supplied without motor
- All dimensions are in millimeters
- All T MAG-P pumps are reversibles

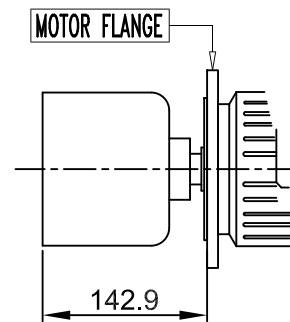
* Depend on the manufacturer

Suction / Discharge Flange



Universal Flanges

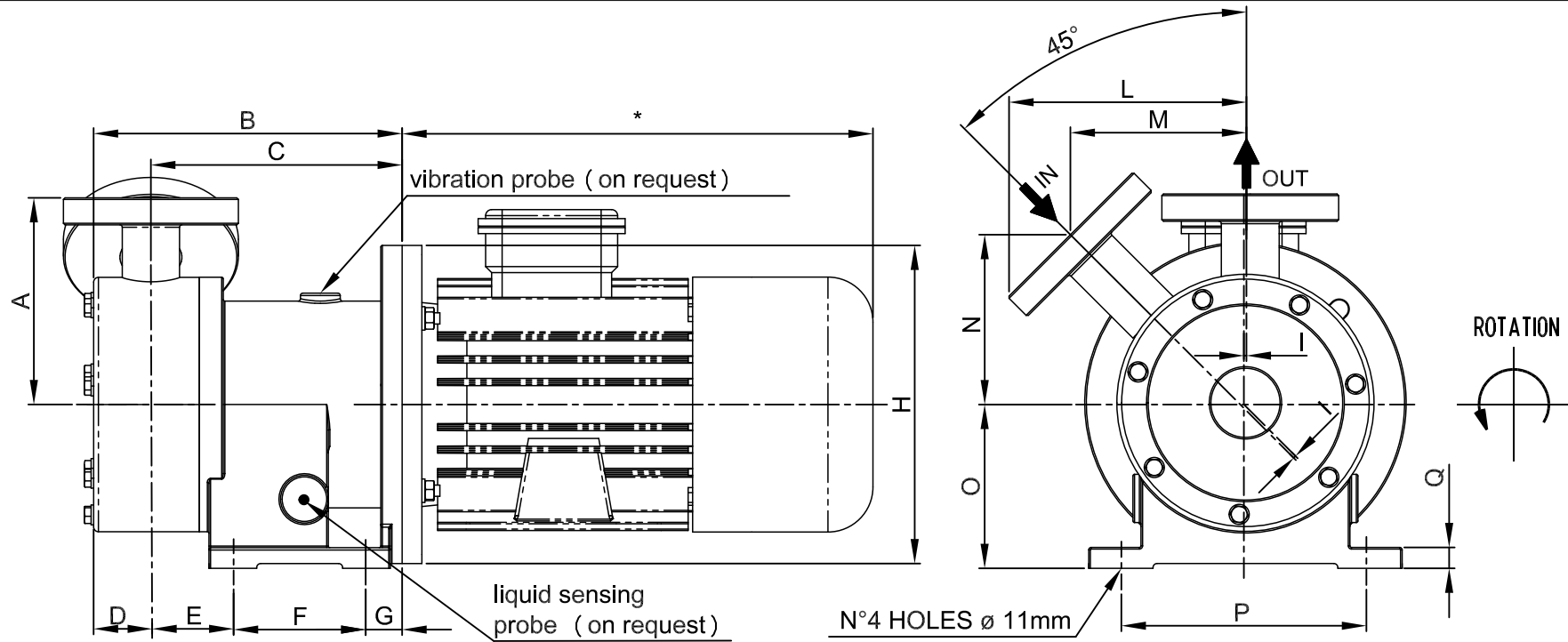
external magnet



Motor: IEC Gr100/112 B5
 Port connection: Flanges according to
 DIN 2501 PN10 / ANSI B 16.5 150 lb

OUTLINE DRAWING

CODE: D 10459 Rev.:00



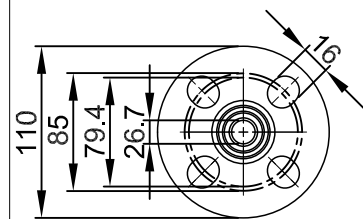
DIMENSIONS

A	B	C	D	E	F	G	H	I	L	M	N	O	P	Q
142	231	191	40	64	106	20.8	200	4.5	154	117	106	105	180	13

- This drawing is for reference only
- Pump may be supplied without motor
- All dimensions are in millimeters
- All T MAG-P pumps are reversibles

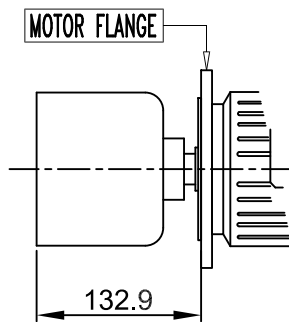
* Depend on the manufacturer

Suction / Discharge Flange



Universal Flanges

external magnet

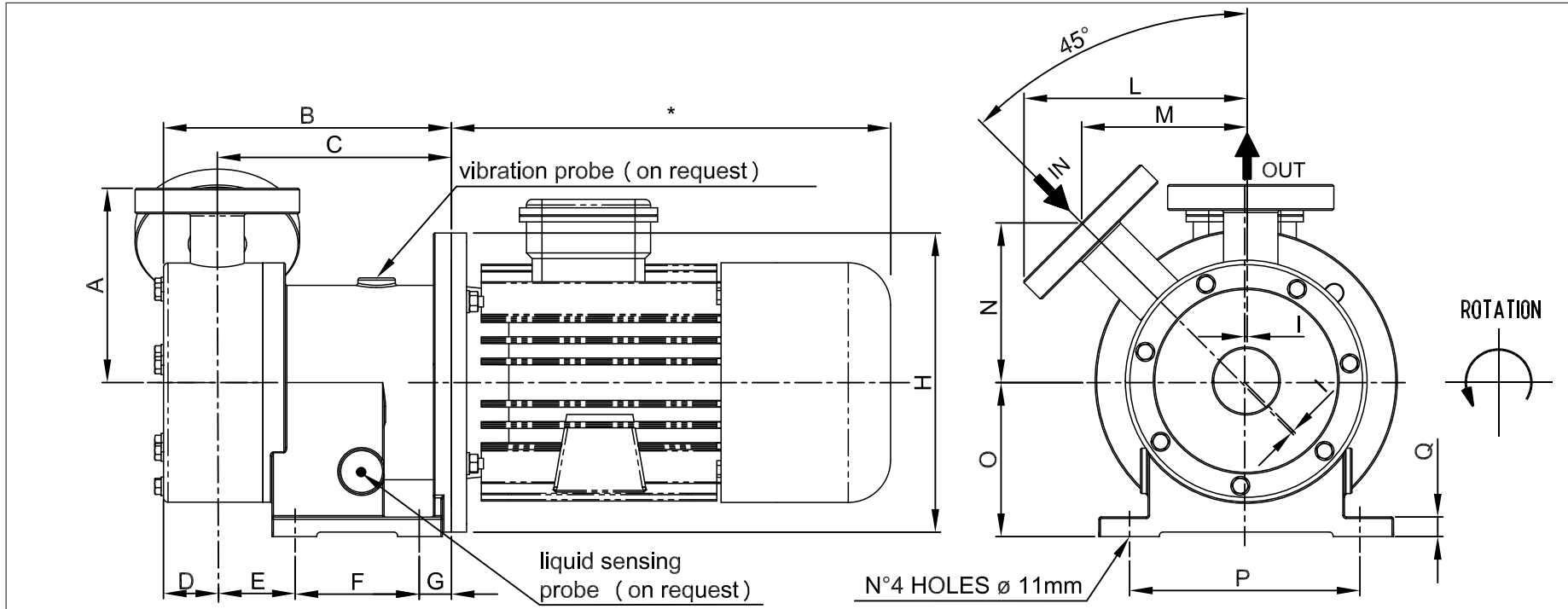


ITEM:
Pump model: T MAG-P92 PP/PVDF

Motor: IEC Gr90 B5
Port connection: Flanges according to DIN 2501 PN10 / ANSI B 16.5 150 lb

OUTLINE DRAWING

CODE: D 10460 Rev.:01



ITEM:
 Pump model: T MAG-P93 PP/PVDF

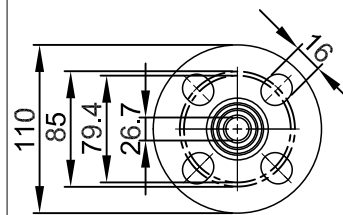
DIMENSIONS

A	B	C	D	E	F	G	H	I	L	M	N	O	P	Q
142	241	201	40	60	120	21	250	4.5	154	117	106	135	180	15

- This drawing is for reference only
- Pump may be supplied without motor
- All dimensions are in millimeters
- All T MAG-P pumps are reversibles

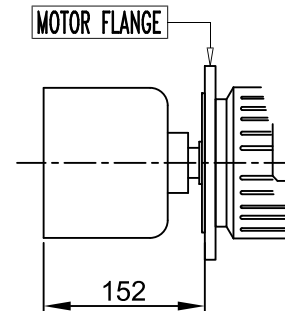
* Depend on the manufacturer

Suction / Discharge Flange



Universal Flanges

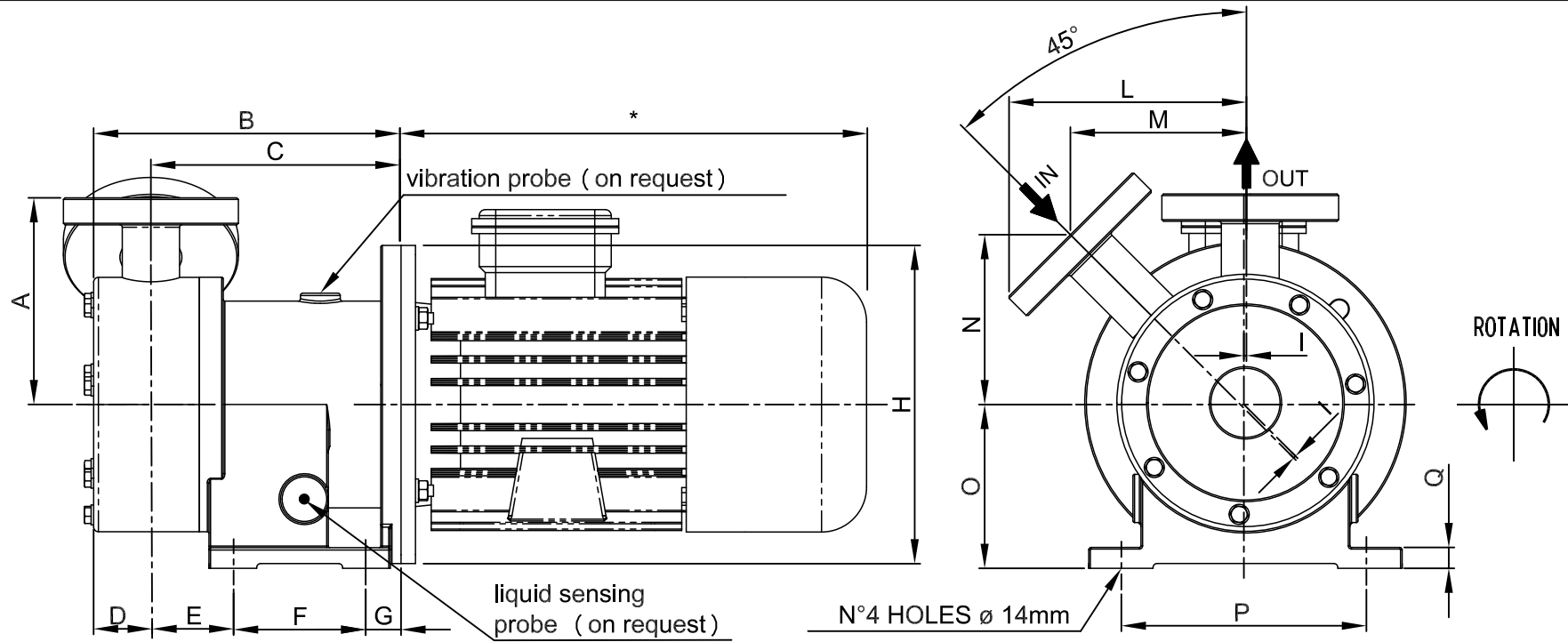
external magnet



Motor: IEC Gr100/112 B5
 Port connection: Flanges according to
 DIN 2501 PN10 / ANSI B 16.5 150 lb

OUTLINE DRAWING

CODE: D 10461 Rev.:00



ITEM: Pump model: T MAG-P122 PP/PVDF

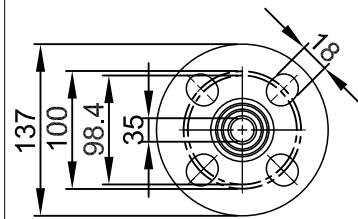
DIMENSIONS

A	B	C	D	E	F	G	H	I	L	M	N	O	P	Q
166	266.5	223	43.5	85.5	100	37.5	250	7	186.5	140	123	135	210	15

- This drawing is for reference only
- Pump may be supplied without motor
- All dimensions are in millimeters
- All T MAG-P pumps are reversibles

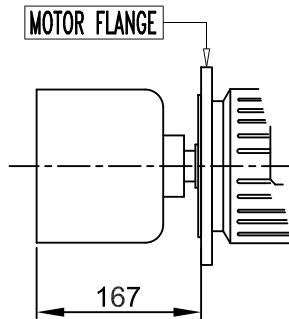
* Depend on the manufacturer

Suction / Discharge Flange



Universal Flanges

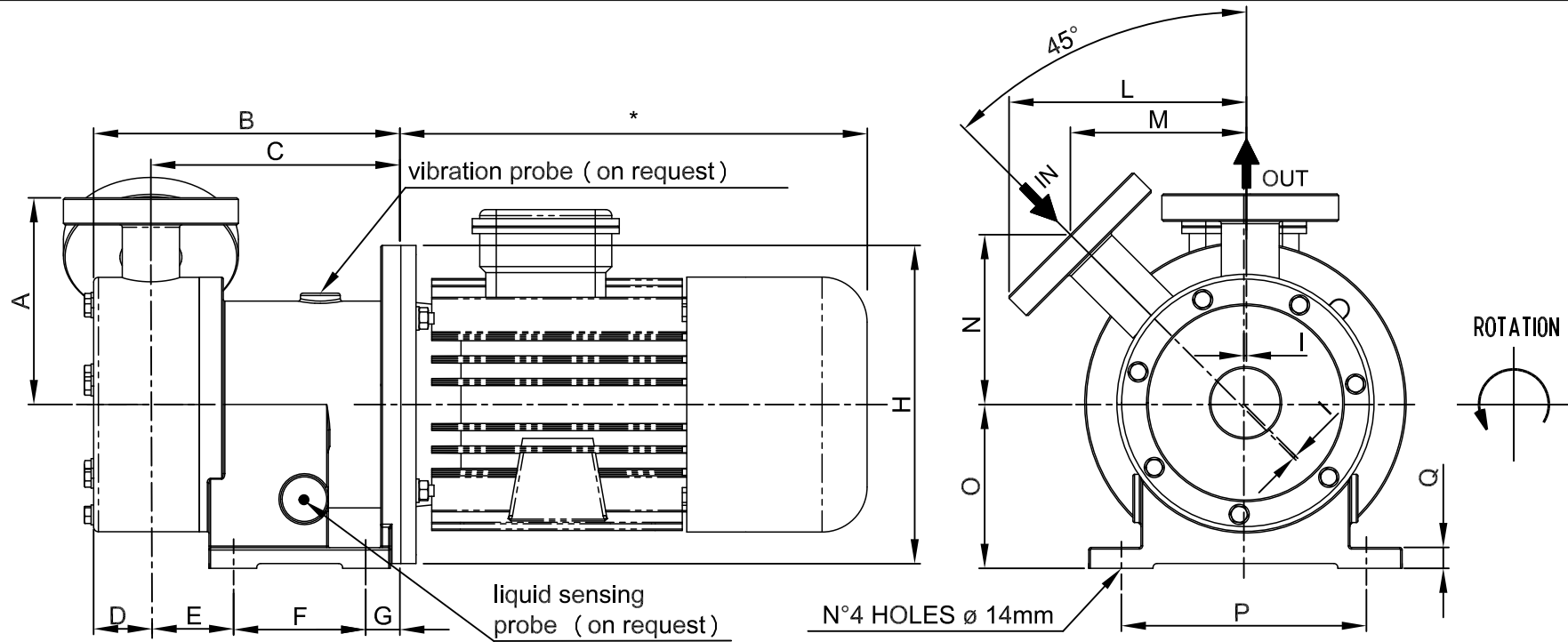
external magnet



Motor: IEC Gr100/112 B5
 Port connection: Flanges according to
 DIN 2501 PN10 / ANSI B 16.5 150 lb

OUTLINE DRAWING

CODE: D 10462 Rev.:00



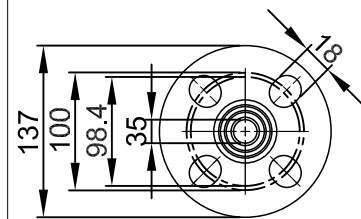
DIMENSIONS

A	B	C	D	E	F	G	H	I	L	M	N	O	P	Q
166	286.5	243	43.5	85.5	120	37.5	300	7	186.5	140	123	153	210	15

- This drawing is for reference only
- Pump may be supplied without motor
- All dimensions are in millimeters
- All T MAG-P pumps are reversibles

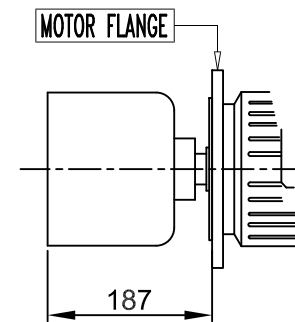
* Depend on the manufacturer

Suction / Discharge Flange



Universal Flanges

external magnet

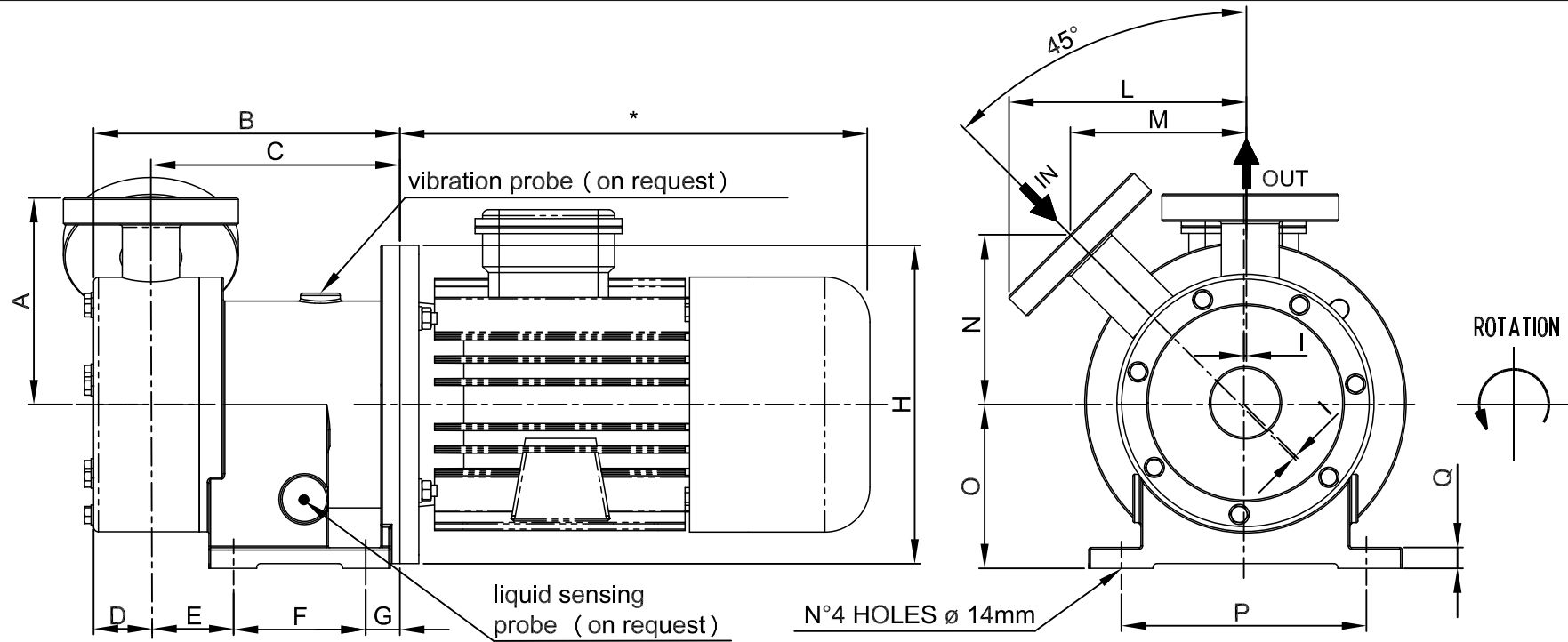


ITEM: Pump model: T MAG-P123 PP/PVDF

Motor: IEC Gr132 B5
 Port connection: Flanges according to
 DIN 2501 PN10 / ANSI B 16.5 150 lb

OUTLINE DRAWING

CODE: D 10463 Rev.:00

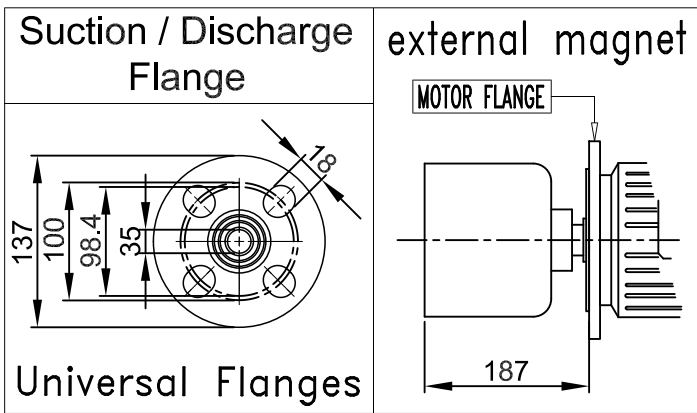


ITEM: Pump model: T MAG-P160 PP/PVDF

DIMENSIONS

A	B	C	D	E	F	G	H	I	L	M	N	O	P	Q
178.5	288	245	43.5	87.5	120	37.5	300	7	195.5	149	132	153	210	15

- This drawing is for reference only
 - Pump may be supplied without motor
 - All dimensions are in millimeters
 - All T MAG-P pumps are reversibles
- * Depend on the manufacturer



Motor: IEC Gr132 B5
 Port connection: Flanges according to DIN 2501 PN10 / ANSI B 16.5 150 lb