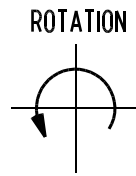
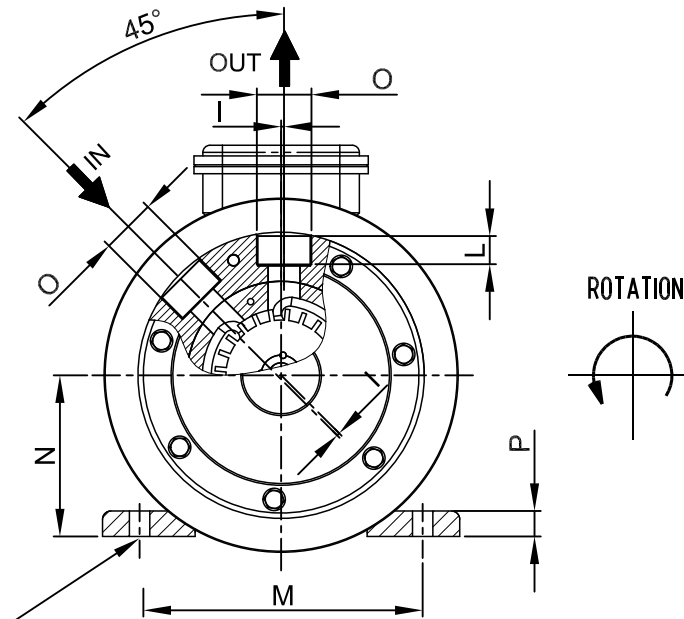
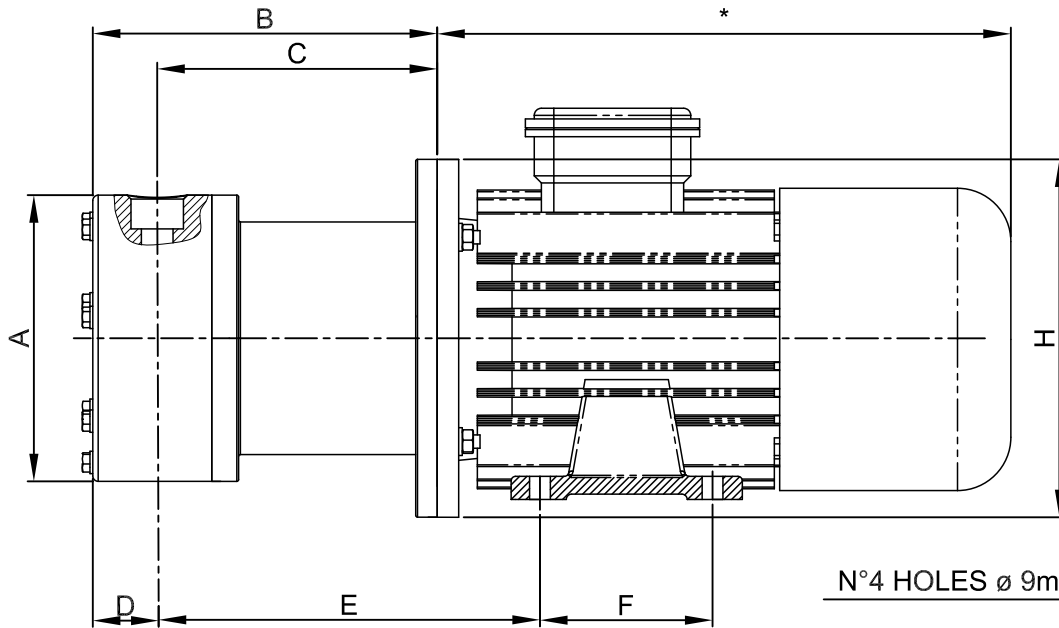


# OUTLINE DRAWING

CODE: D 10185 Rev.:00



Version with plastic bracket

ITEM:

Pump model: T MAG-P32 PP/PVDF

# DIMENSIONS

A	B	C	D	E	F	H	I	L	M	N	P
140	148	117	31	157	80	140	4.2	16	100	63	7

- This drawing is for reference only
- Pump may be supplied without motor
- All dimensions are in millimeters
- All T MAG-P pumps are reversibles

\* Depend on the manufacturer

Suction / Discharge Port	external magnet
O	MOTOR FLANGE
3/4" BSP-F/NPT-F	87.6

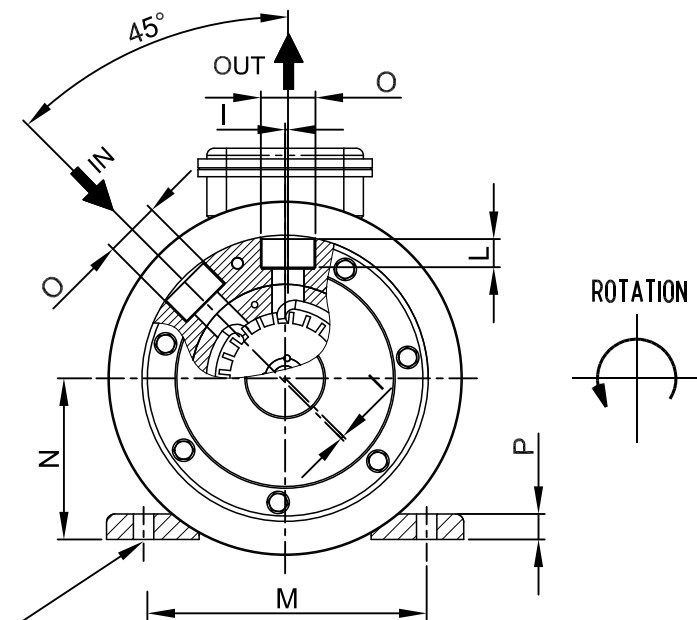
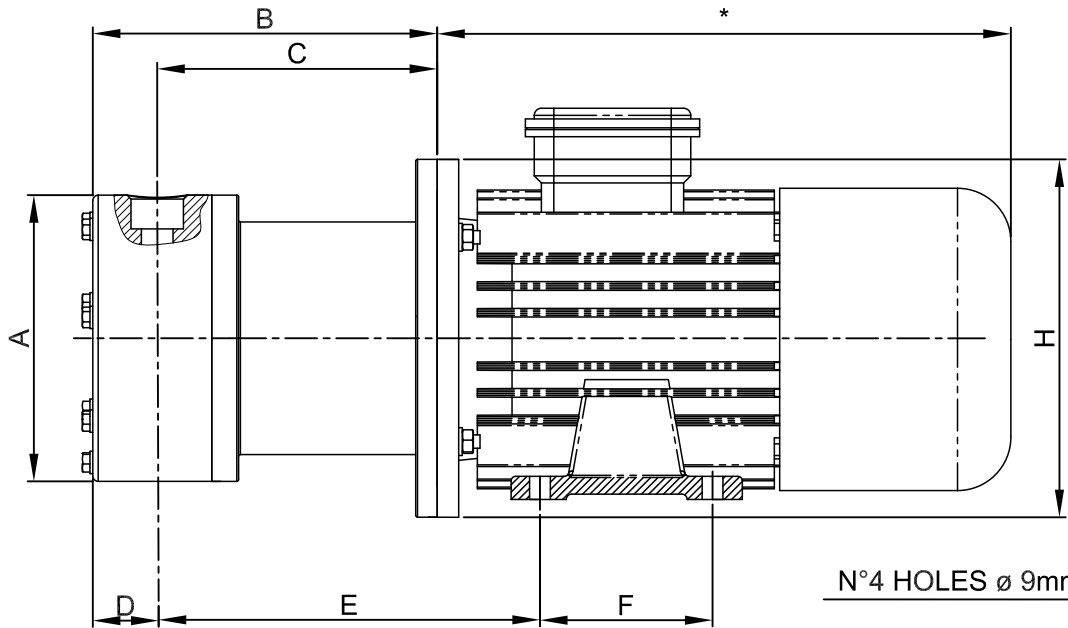
Motor: IEC Gr63 B3-B5

Port connection: Threaded

Standard: BSP-F UNI ISO 228/1 | NPT-F USAS B2-1/1968

# OUTLINE DRAWING

CODE: D 10186 Rev.:00



Version with plastic bracket

ITEM:

Pump model: T MAG-P33 PP/PVDF

# DIMENSIONS

A	B	C	D	E	F	H	I	L	M	N	P
140	175	144	31	189	90	160	4.2	16	112	7	7

- This drawing is for reference only
  - Pump may be supplied without motor
  - All dimensions are in millimeters
  - All T MAG-P pumps are reversibles
- \* Depend on the manufacturer

Suction / Discharge Port	external magnet
$\varnothing$	MOTOR FLANGE
3/4" BSP-F/NPT-F	109.7

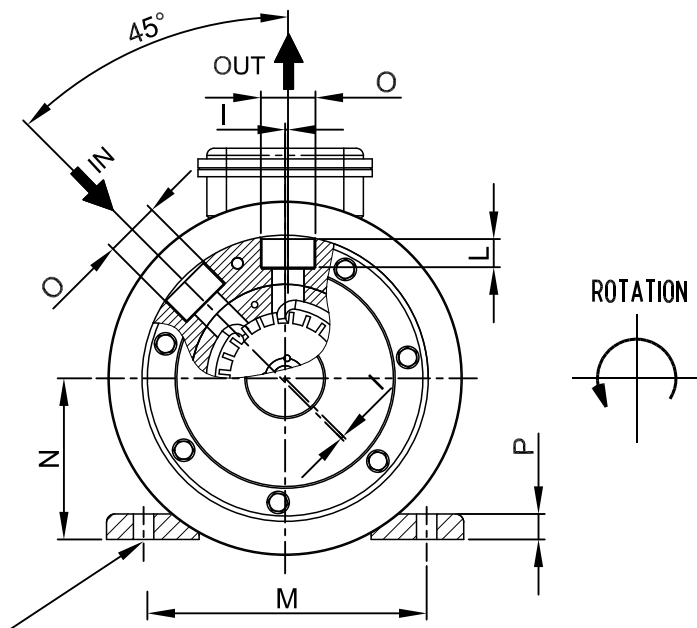
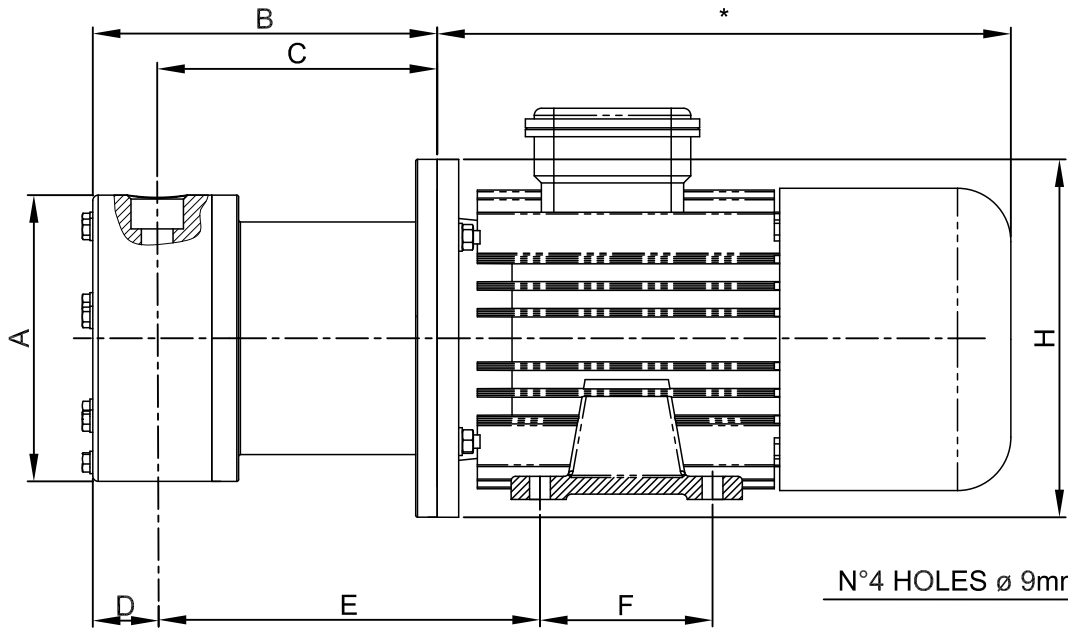
Motor: IEC G71 B3-B5

Port connection: Threaded

Standard: BSP-F UNI ISO 228/1 | NPT-F USAS B2-1/1968

# OUTLINE DRAWING

CODE: D 10187 Rev.:00



Version with plastic bracket

ITEM:

Pump model: T MAG-P52 PP/PVDF

# DIMENSIONS

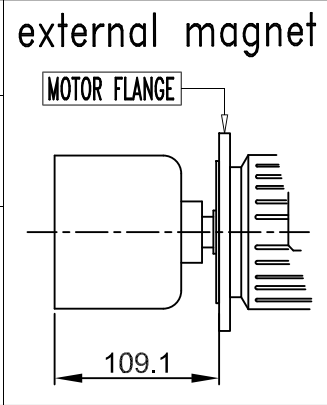
A	B	C	D	E	F	H	I	L	M	N	P
140	175	144	31	189	90	160	4.2	19	112	7	7

- This drawing is for reference only
  - Pump may be supplied without motor
  - All dimensions are in millimeters
  - All T MAG-P pumps are reversibles
- \* Depend on the manufacturer

Suction / Discharge Port

O

1" BSP-F/NPT-F



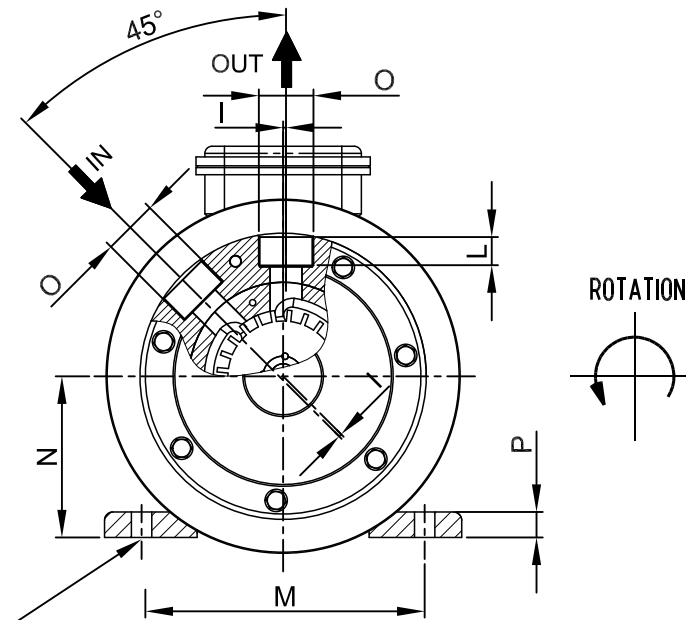
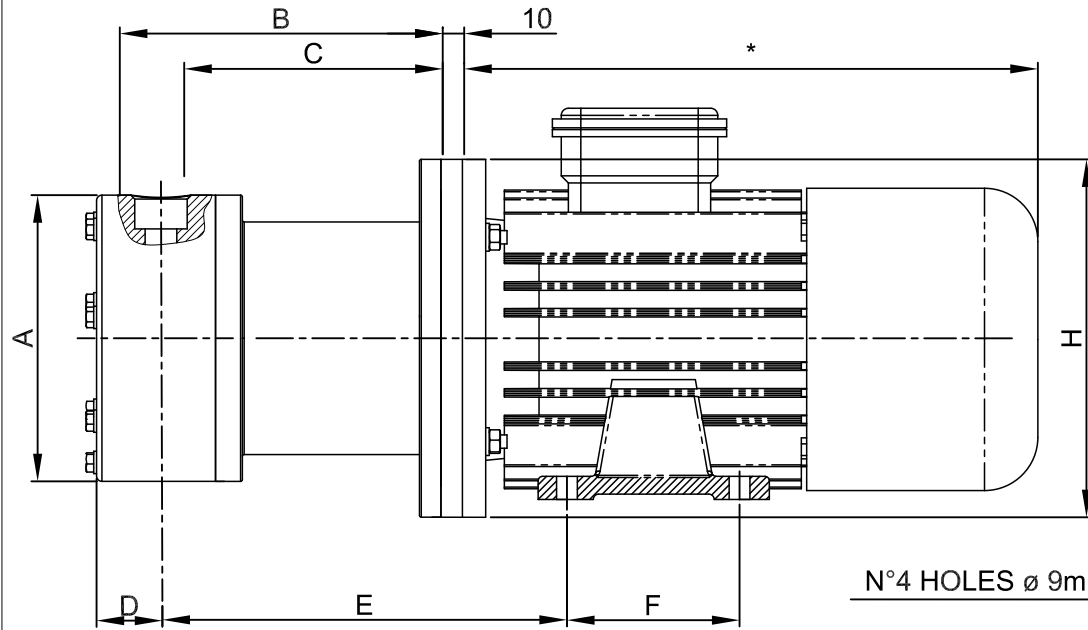
Motor: IEC Gr71 B3-B5

Port connection: Threaded

Standard: BSP-F UNI ISO 228/1 | NPT-F USAS B2-1/1968

# OUTLINE DRAWING

CODE: D 10188 Rev.:00



Version with plastic bracket

ITEM:

Pump model: T MAG-P53 PP/PVDF

# DIMENSIONS

A	B	C	D	E	F	H	I	L	M	N	P
160	193	157	36	217	100	200	3.2	19	125	80	8

- This drawing is for reference only
  - Pump may be supplied without motor
  - All dimensions are in millimeters
  - All T MAG-P pumps are reversibles
- \* Depend on the manufacturer

Suction / Discharge Port	external magnet
O	
1" BSP-F/NPT-F	

Motor: IEC Gr80 B3-B5

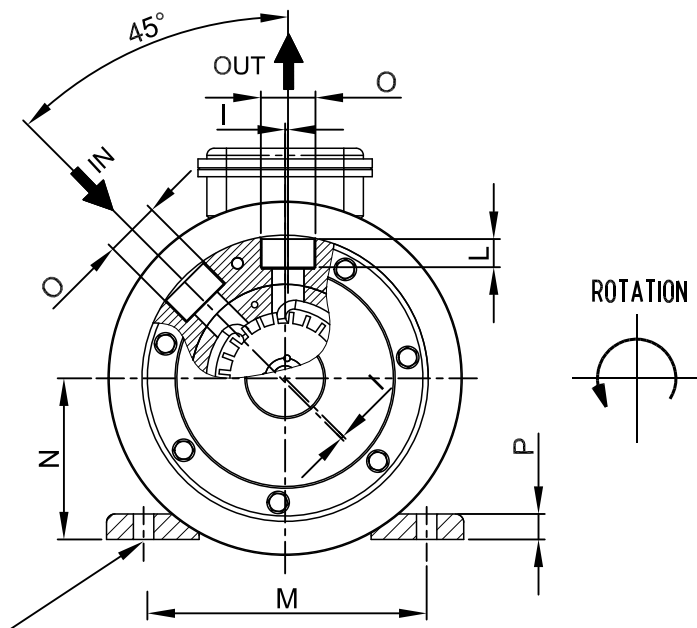
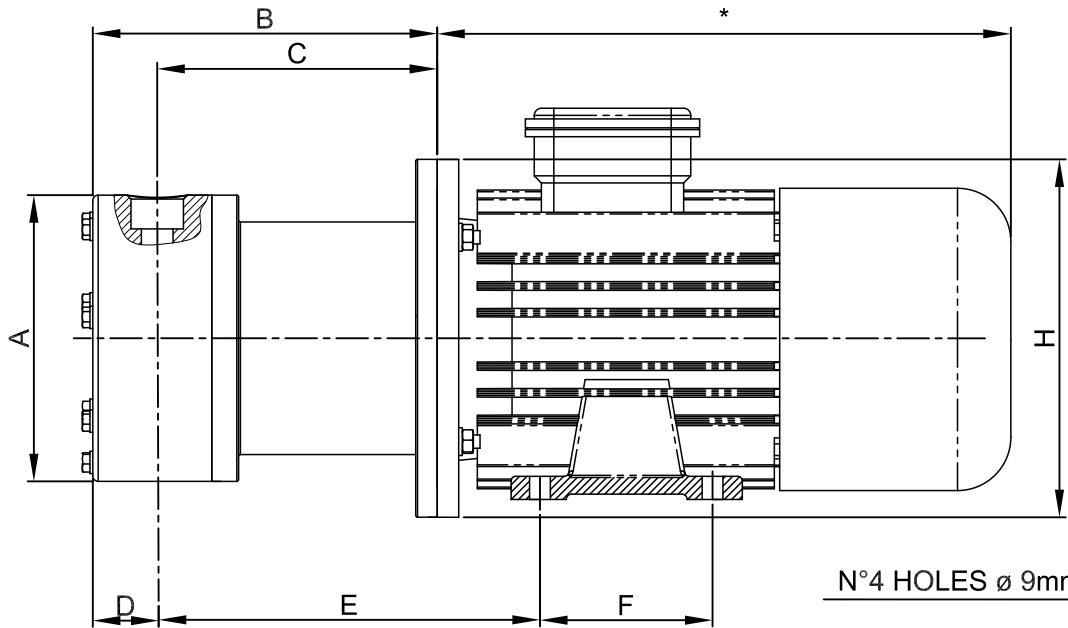
Port connection: Threaded

Standard: BSP-F UNI ISO 228/1 | NPT-F USAS B2-1/1968

adaptor flange code: 913103611

# OUTLINE DRAWING

CODE: D 10189 Rev.:00



Version with plastic bracket

ITEM:

Pump model: T MAG-P72 PP/PVDF

# DIMENSIONS

A	B	C	D	E	F	H	I	L	M	N	P
160	192.5	156.5	36.4	206	100	200	3.2	19	125	80	8

- This drawing is for reference only
  - Pump may be supplied without motor
  - All dimensions are in millimeters
  - All T MAG-P pumps are reversibles
- \* Depend on the manufacturer

Suction / Discharge Port	external magnet
$\varnothing$	MOTOR FLANGE
1" BSP-F/NPT-F	111.2

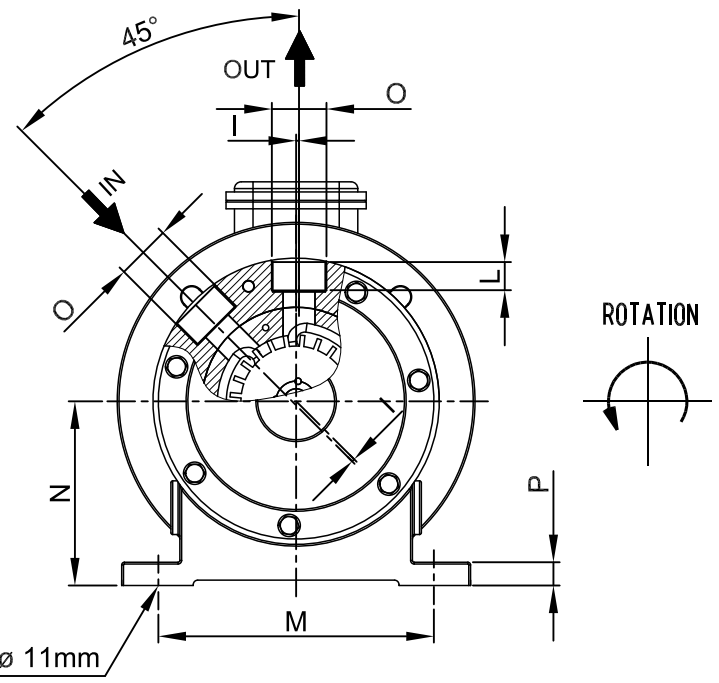
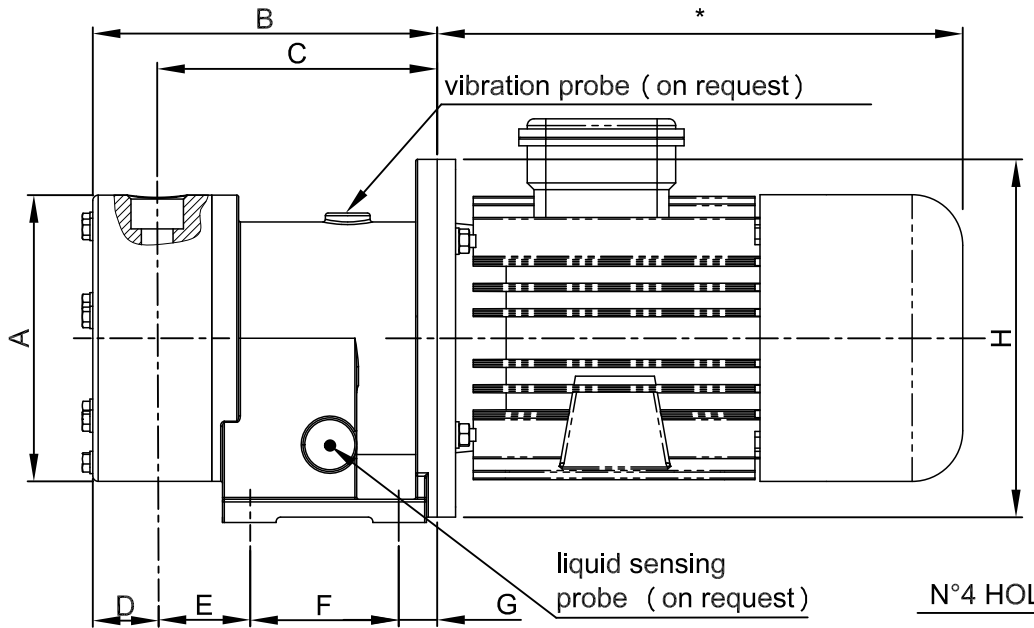
Standard: BSP-F UNI ISO 228/1 | NPT-F USAS B2-1/1968

Port connection: Threaded

Motor: IEC Gr80 B3-B5

# OUTLINE DRAWING

CODE: D 10019 Rev.:00



ITEM: Pump model: T MAG-P73 PP/PVDF

# DIMENSIONS

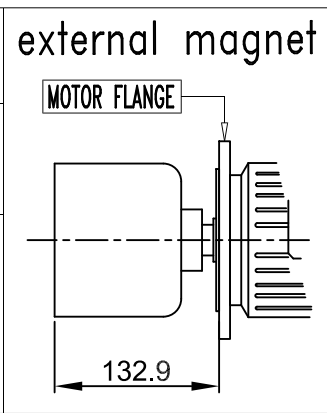
A	B	C	D	E	F	G	H	I	L	M	N	P
190	231	191	40	64	106	21	200	4.5	20	180	105	13

- This drawing is for reference only
  - Pump may be supplied without motor
  - All dimensions are in millimeters
  - All T MAG-P pumps are reversibles
- \* Depend on the manufacturer

Suction / Discharge Port

○

1" BSP-F/NPT-F



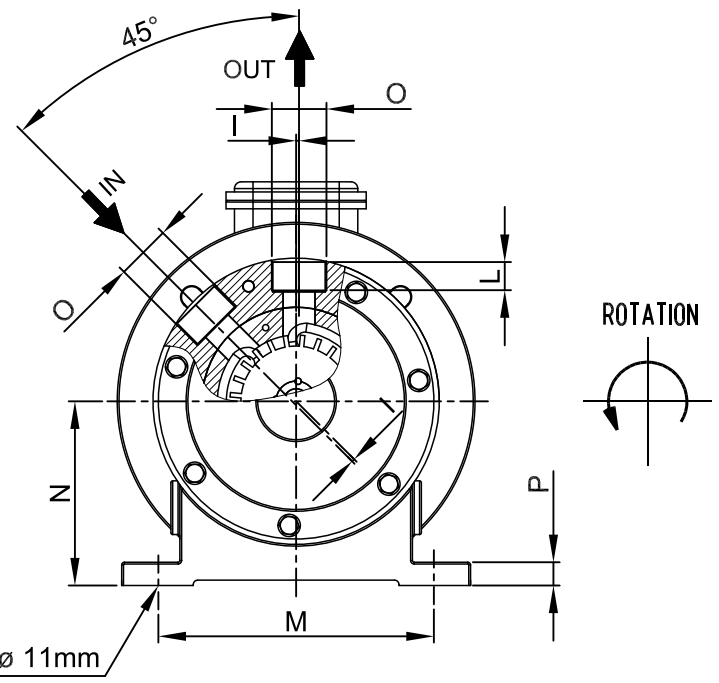
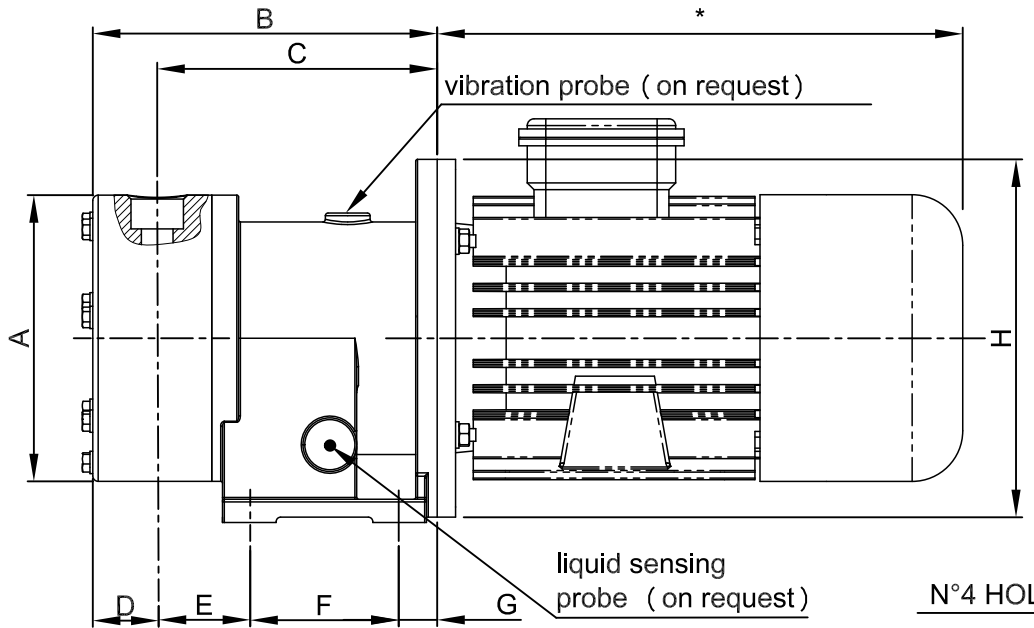
Motor: IEC Gr90 B5

Port connection: Threaded

Standard: BSP-F UNI ISO 228/1 | NPT-F USAS B2-1/1968

# OUTLINE DRAWING

CODE: D 10347 Rev.:00



ITEM: Pump model: T MAG-P73 PP/PVDF

# DIMENSIONS

A	B	C	D	E	F	G	H	I	L	M	N	P
190	241	201	40	60	120	21	250	4.5	20	180	135	15

- This drawing is for reference only
  - Pump may be supplied without motor
  - All dimensions are in millimeters
  - All T MAG-P pumps are reversibles
- \* Depend on the manufacturer

Suction / Discharge Port

external magnet

MOTOR FLANGE

1" BSP-F/NPT-F

142.9

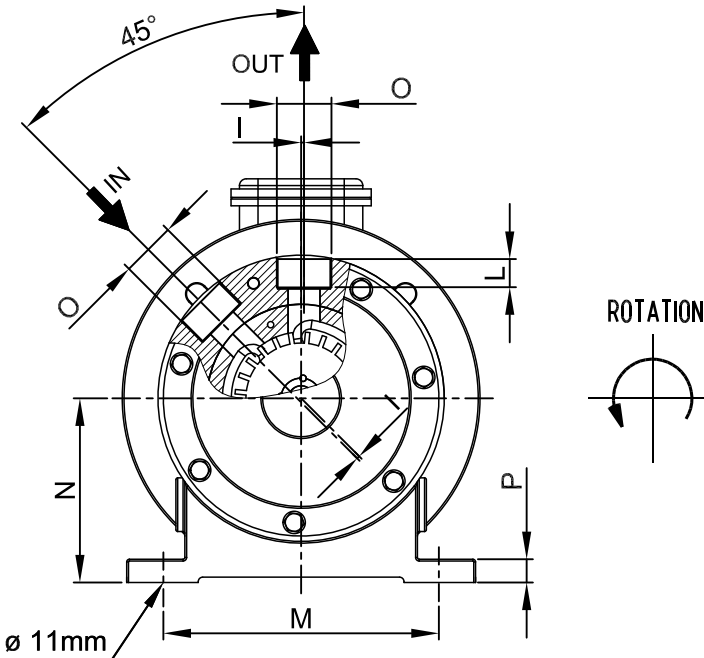
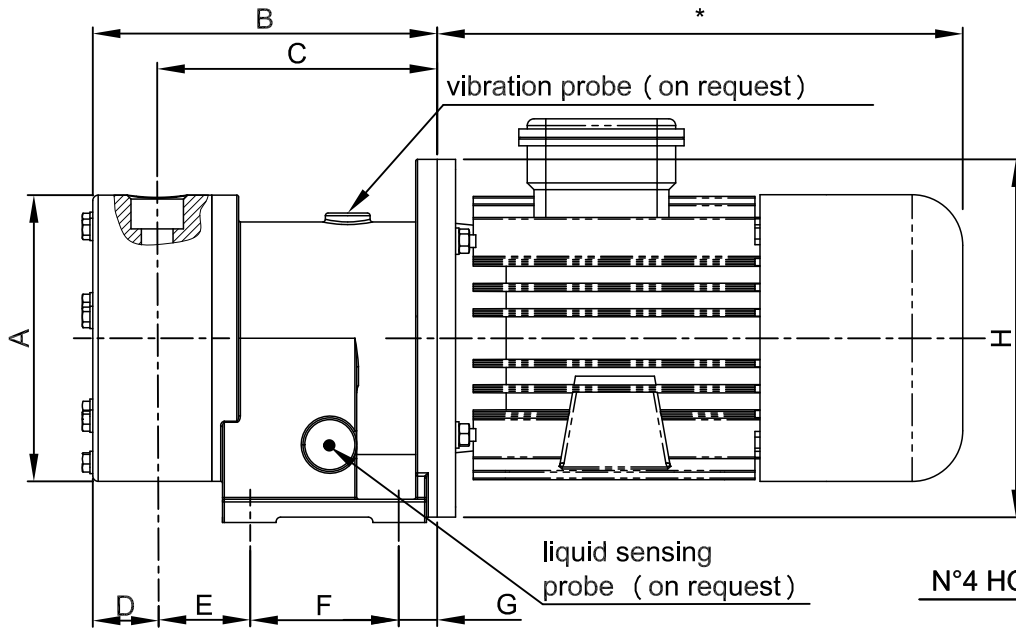
Motor: IEC Gr100/112 B5

Port connection: Threaded

Standard: BSP-F UNI ISO 228/1 | NPT-F USAS B2-1/1968

# OUTLINE DRAWING

CODE: D 10025 Rev.:00



# DIMENSIONS

A	B	C	D	E	F	G	H	I	L	M	N	P
190	231	191	40	64	106	21	200	4.5	20	180	105	13

- This drawing is for reference only
- Pump may be supplied without motor
- All dimensions are in millimeters
- All T MAG-P pumps are reversibles

\* Depend on the manufacturer

Suction / Discharge Port	external magnet
O	
1" BSP-F/NPT-F	

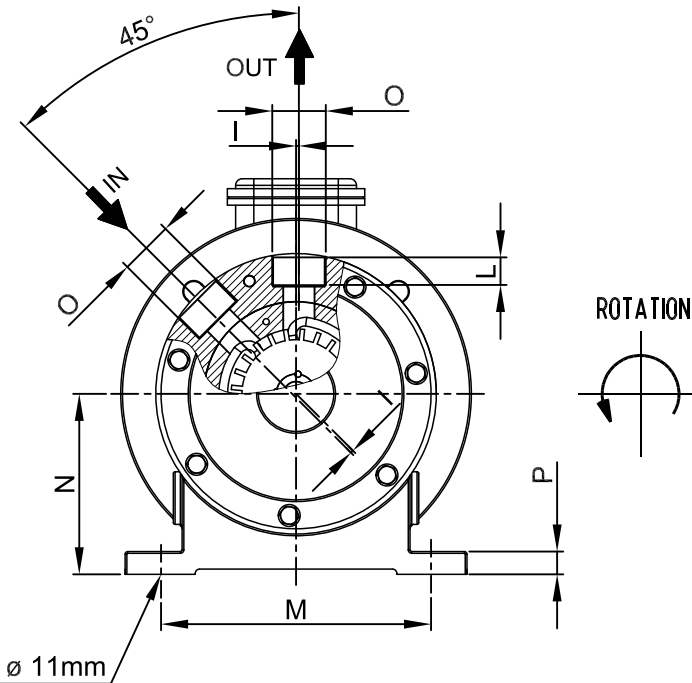
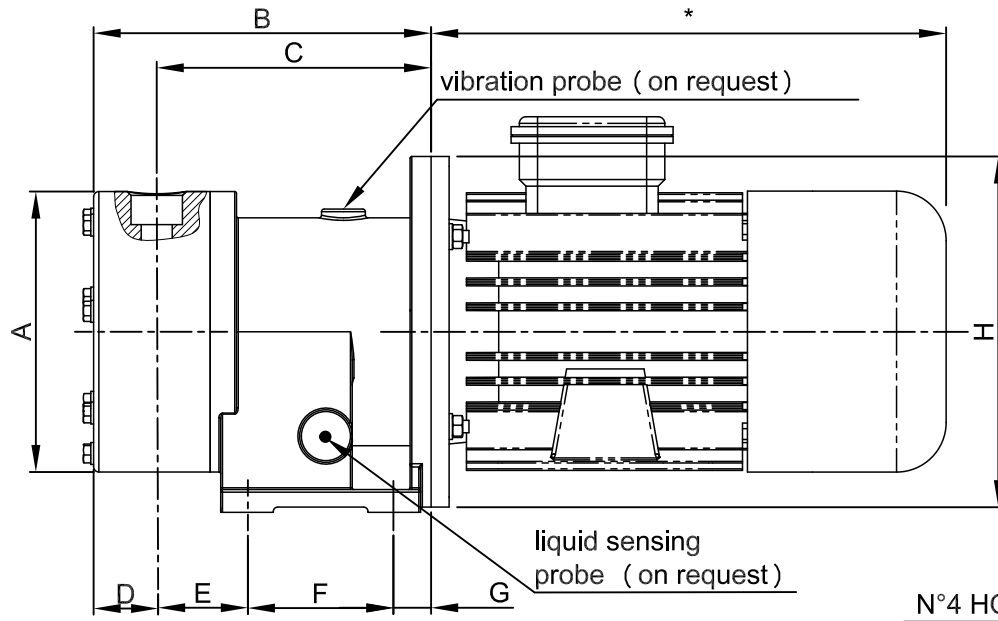
ITEM: Pump model: T MAG-P92 PP/PVDF

Motor: IEC Gr90 B5  
 Port connection: Threaded  
 Standard: BSP-F UNI ISO 228/1 | NPT-F USAS B2-1/1968



# OUTLINE DRAWING

CODE: D 10040 Rev.:01



ITEM: Pump model: T MAG-P93 PP/PVDF

# DIMENSIONS

A	B	C	D	E	F	G	H	I	L	M	N	P
190	241	201	40	60	120	21	250	4.5	20	180	135	15
- This drawing is for reference only - Pump may be supplied without motor - All dimensions are in millimeters - All T MAG-P pumps are reversibles									* Depend on the manufacturer			

Suction / Discharge Port	external magnet
O	MOTOR FLANGE
1" BSP-F/NPT-F	152

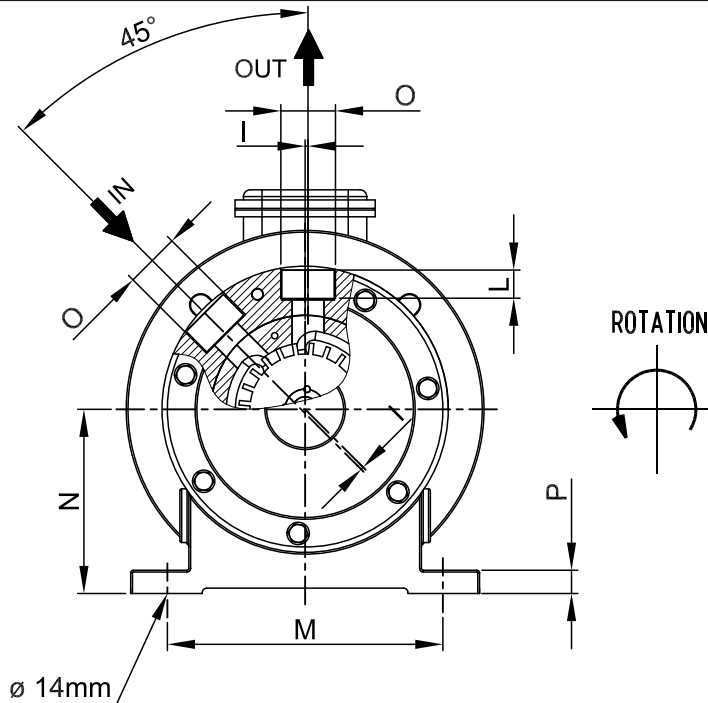
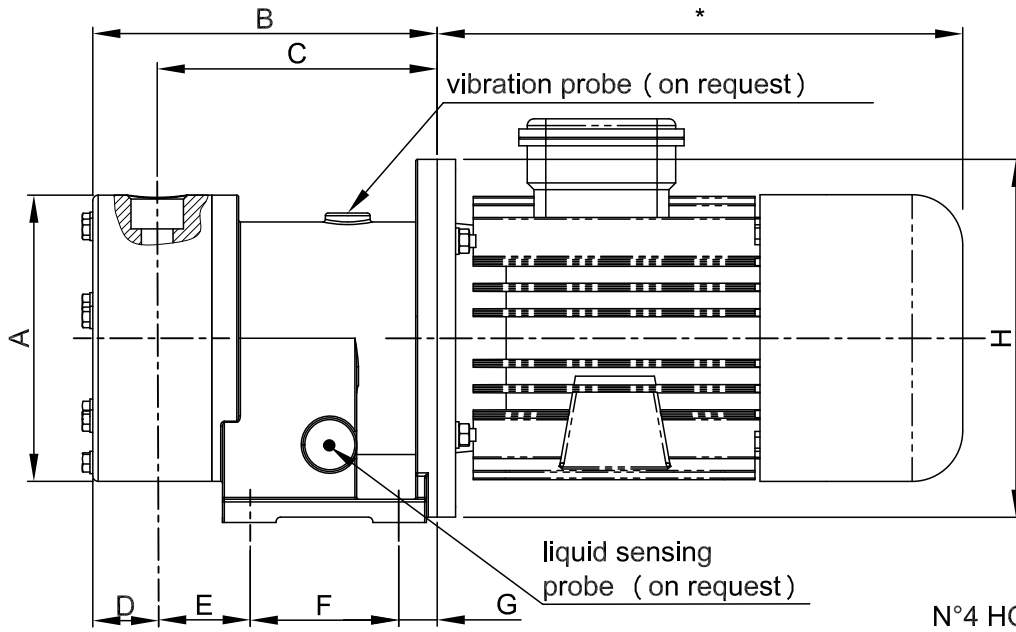
Motor: IEC Gr100/112 B5

Port connection: Threaded

Standard: BSP-F UNI ISO 228/1 | NPT-F USAS B2-1/1968

# OUTLINE DRAWING

CODE: D 10043 Rev.:00



# DIMENSIONS

A	B	C	D	E	F	G	H	I	L	M	N	P
225	266.5	223	43.5	85.5	100	37.5	250	7	23	210	135	15

- This drawing is for reference only
- Pump may be supplied without motor
- All dimensions are in millimeters
- All T MAG-P pumps are reversibles

\* Depend on the manufacturer

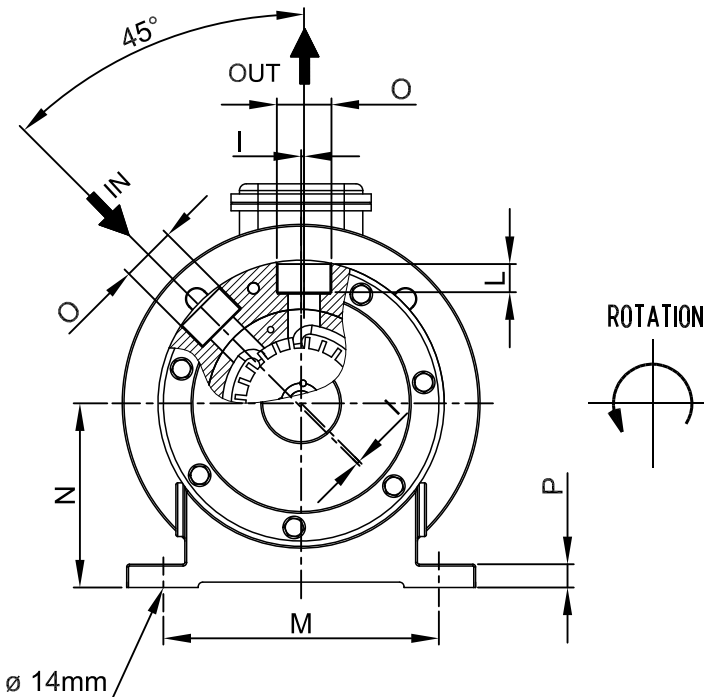
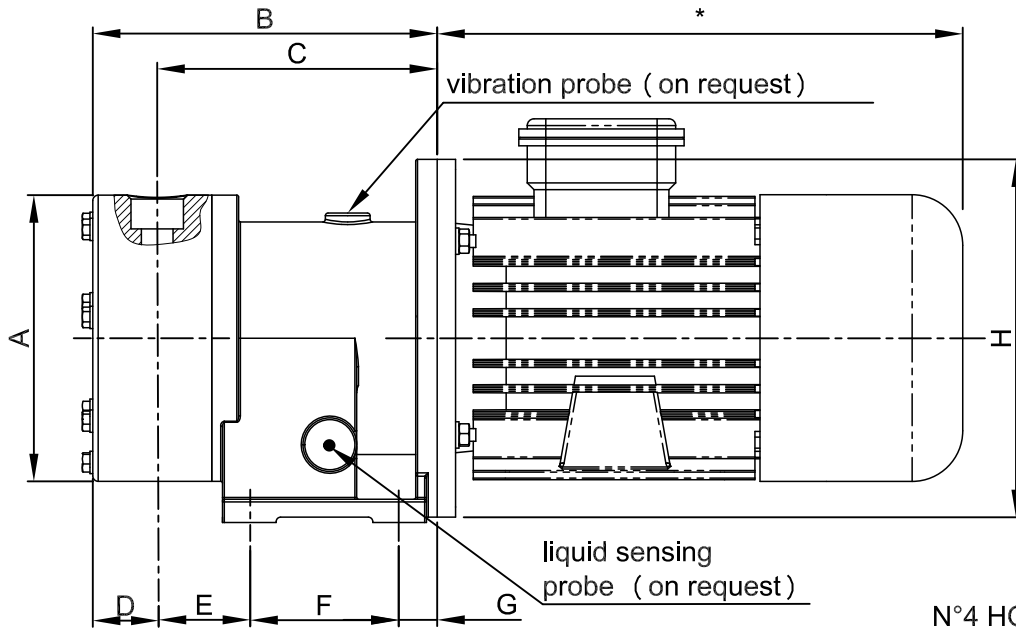
Suction / Discharge Port	external magnet
$\varnothing$	
1"1/4 BSP-F/NPT-F	

ITEM: Pump model: T MAG-P122 PP/PVDF

Motor: IEC Gr100/112 B5  
 Port connection: Threaded  
 Standard: BSP-F UNI ISO 228/1 | NPT-F USAS B2-1/1968

# OUTLINE DRAWING

CODE: D 10045 Rev.:00



# DIMENSIONS

A	B	C	D	E	F	G	H	I	L	M	N	P
225	286.5	243	43.5	85.5	120	37.5	300	7	23	210	153	15

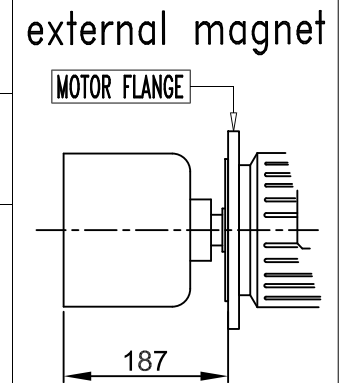
- This drawing is for reference only
- Pump may be supplied without motor
- All dimensions are in millimeters
- All T MAG-P pumps are reversibles

\* Depend on the manufacturer

Suction / Discharge Port

$\varnothing$

1"1/4 BSP-F/NPT-F



ITEM: Pump model: T MAG-P123 PP/PVDF

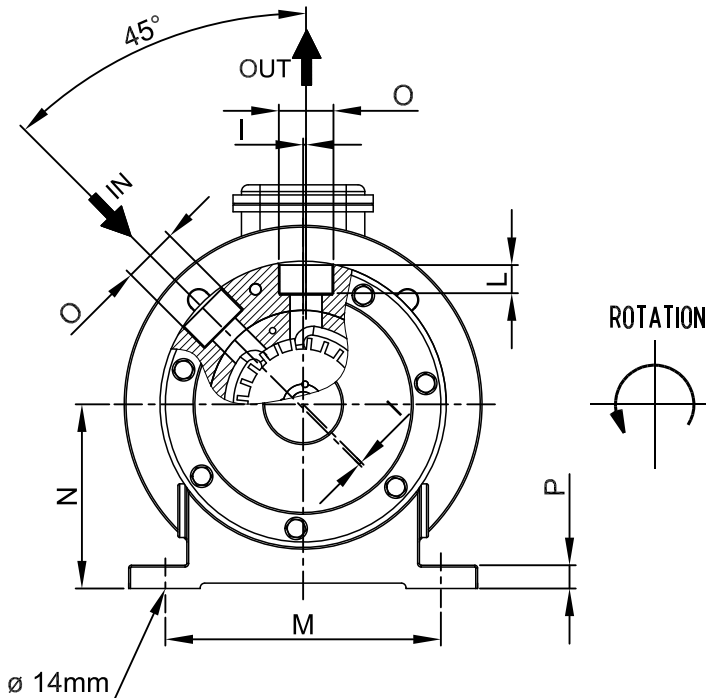
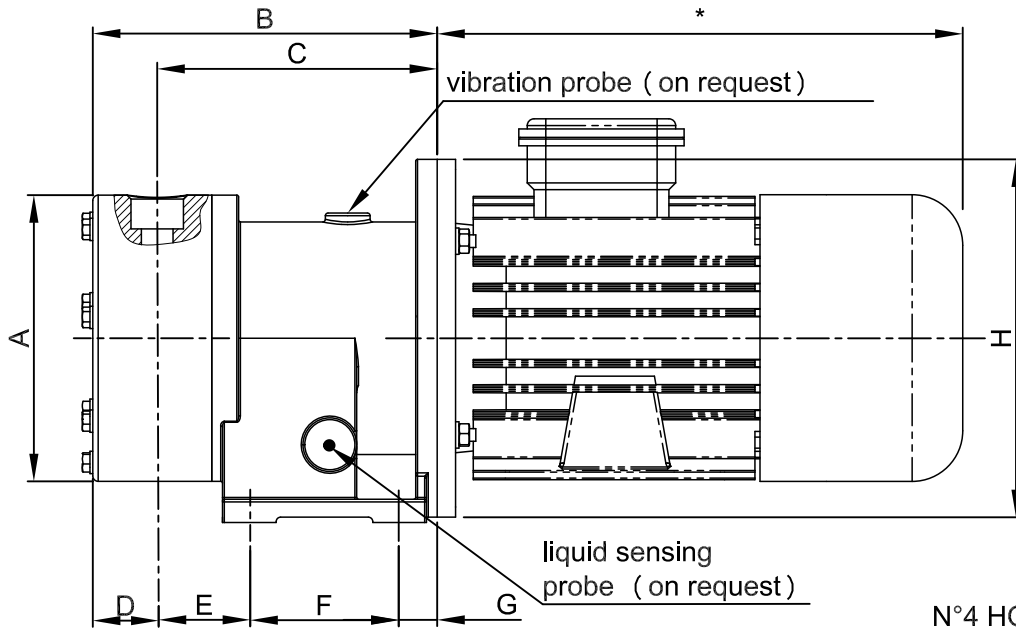
Motor: IEC Gr132 B5

Port connection: Threaded

Standard: BSP-F UNI ISO 228/1 | NPT-F USAS B2-1/1968

# OUTLINE DRAWING

CODE: D 10051 Rev.:00



# DIMENSIONS

A	B	C	D	E	F	G	H	I	L	M	N	P
250	288	245	43.5	87.5	120	37.5	300	7	23	210	153	15

- This drawing is for reference only
- Pump may be supplied without motor
- All dimensions are in millimeters
- All T MAG-P pumps are reversibles

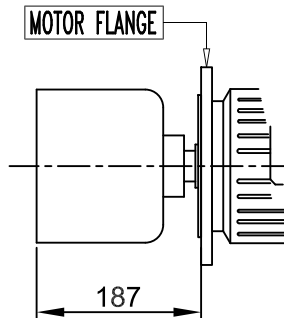
\* Depend on the manufacturer

Suction / Discharge Port



1"1/4 BSP-F/NPT-F

external magnet



ITEM: Pump model: T MAG-P160 PP/PVDF

Motor: IEC Gr132 B5

Port connection: Threaded

Standard: BSP-F UNI ISO 228/1 | NPT-F USAS B2-1/1968