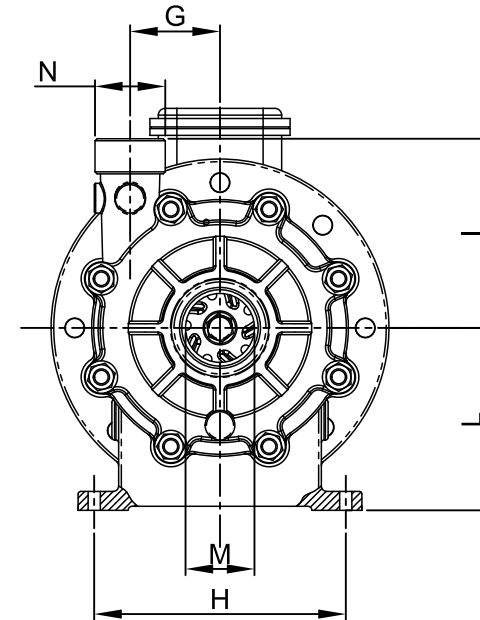
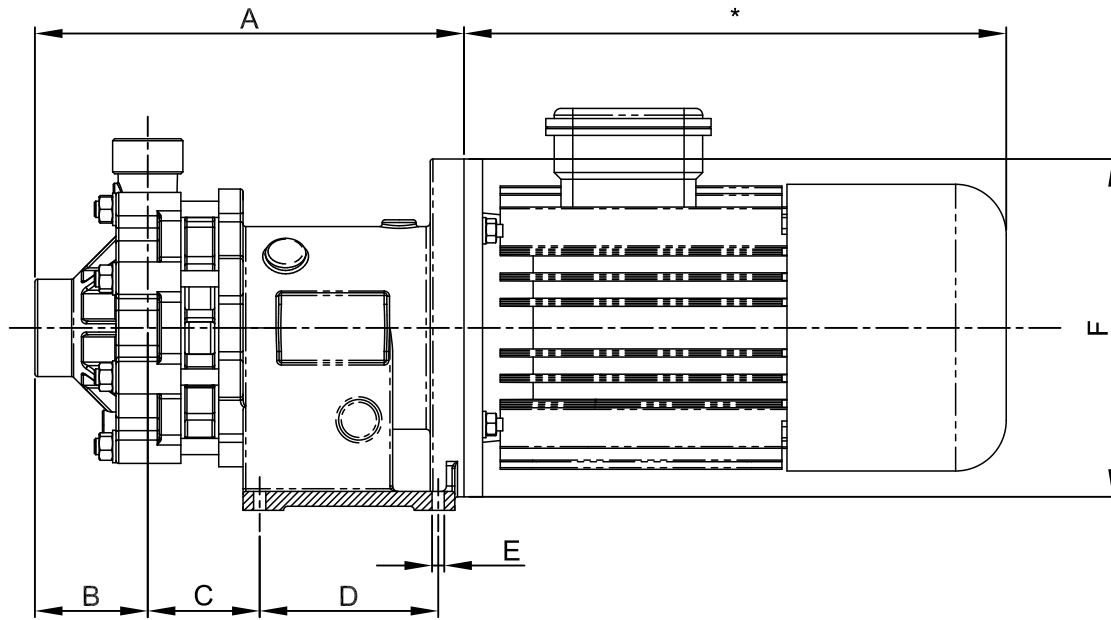


OUTLINE DRAWING

CODE: D 10201 Rev.:00



DIMENSIONS

A	B	C	D	E	F	G	H	I	L	M	N
212.5	56.3	60	80	9	160	46	140	90	84	1"	3/4"

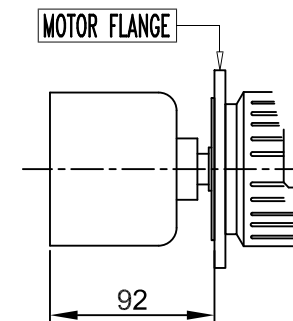
- This drawing is for reference only

- Pump may be supplied without motor

- All dimensions are in millimeters

* Depend on the manufacturer

external magnet



Pump model: CM MAG-M06
ITEM:

Motor: IEC Gr71 B5
Port connection: Threaded

Standard: BSP-F UNI ISO 228/1 | NPT-F USAS B2-1/1968