

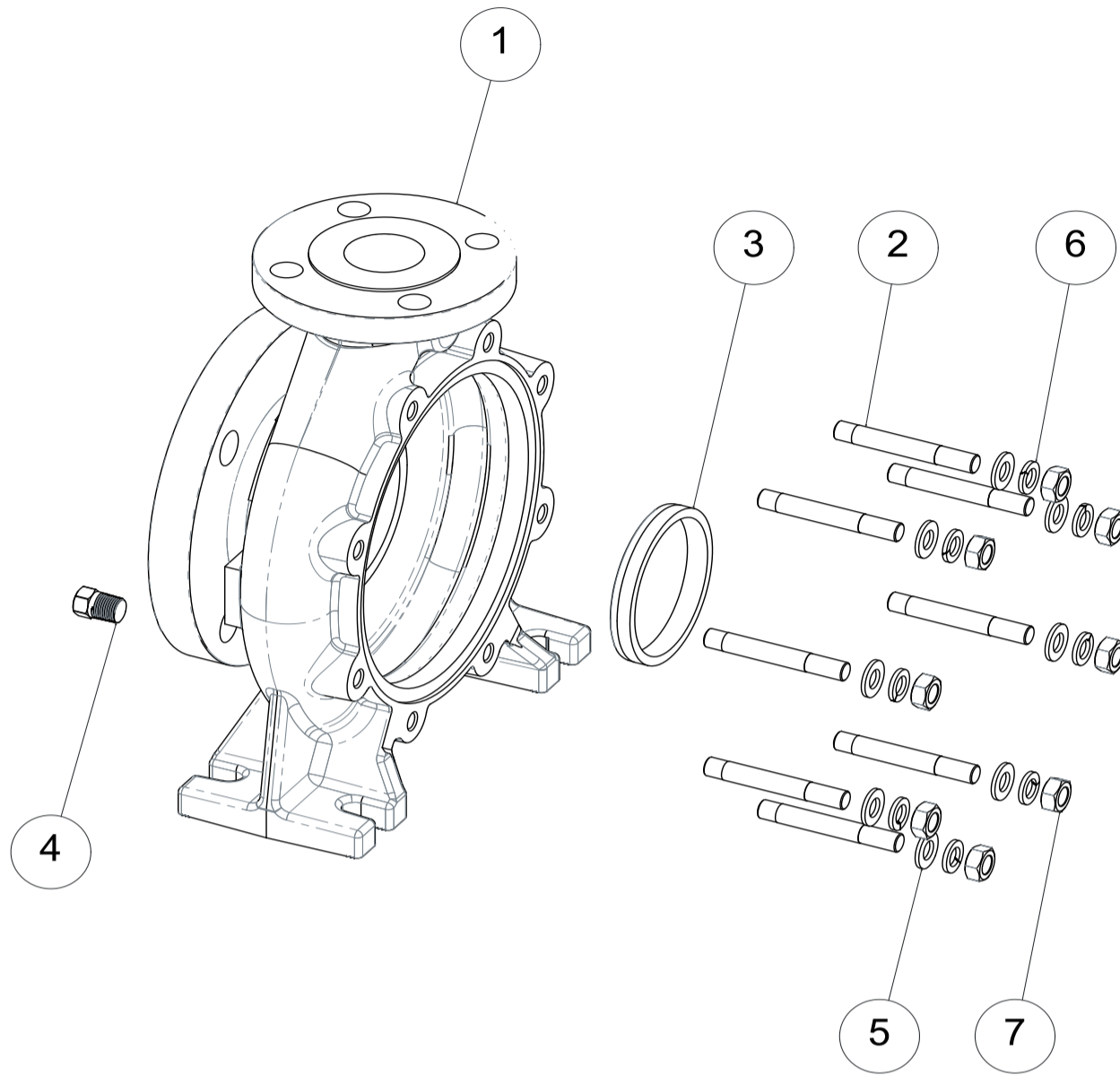


PUMP MODEL: CN MAG-M 1^Range

ITEM: PUMP CASING ASSEMBLY EXPLODED VIEWS

CODE: /

E10616



EXPLODED VIEW

N°	DESCRIPTION			IDENTIFICATION		
	COMPONENT	MODEL	FLANGE CONNECTIONS	COMPONENT CODE	MATERIAL	QUANTITY
1	Pump Casing	32-125	DIN 2633 - PN 16	56210C003AADF	CF8M	1
			ANSI B 16.5 - 150lb RF	56210C003AAAF		
		32-160	DIN 2633 - PN 16	56210C003BADF		
			ANSI B 16.5 - 150lb RF	56210C003BAAF		
		32-200	DIN 2633 - PN 16	56210C003CADF		
			ANSI B 16.5 - 150lb RF	56210C003CAAF		
		40-125	DIN 2633 - PN 16	56210C004AADF		
			ANSI B 16.5 - 150lb RF	56210C004AAAF		
		40-160	DIN 2633 - PN 16	56210C004BADF		
			ANSI B 16.5 - 150lb RF	56210C004BAAF		
		40-200	DIN 2633 - PN 16	56210C004CADF		
			ANSI B 16.5 - 150lb RF	56210C004CAAF		
		50-125	DIN 2633 - PN 16	56210C005AADF		
			ANSI B 16.5 - 150lb RF	56210C005AAAF		
		50-160	DIN 2633 - PN 16	56210C005BADF		
			ANSI B 16.5 - 150lb RF	56210C005BAAF		
		50-200	DIN 2633 - PN 16	56210C005CADF		
			ANSI B 16.5 - 150lb RF	56210C005CAAF		
65-125	DIN 2633 - PN 16	56210C006AADF				
	ANSI B 16.5 - 150lb RF	56210C006AAAF				
2	Stud Nut	XX-125	91610P1070Y	AISI 420B	8	
		XX-160	91610P1070Y			
		XX-200	91610P1273Y			
3	Casing Wear Ring	32-XXX	55110CX03BA7470I	AISI 316	1	
		40-XXX	55110CX04BA8510I			
		50-XXX	55110CX03BA1001I			
		65-XXX	55110CX06AA1301I			
4	Drain Plug	¼"NPT	9315014MA	AISI 316	1	
5	Washer UNI 6592	D.10X20	91630N1021A2	A2-70	8	
		D.12X24	91630N1224A2			
6	Washer UNI 1751	D.10x17	91630S1017A2	A2-70	8	
		D.12x21	91630S1221A2			
7	Nut UNI5588	M10	91620N10A2	A2-70	8	
		M12	91620N12A2			

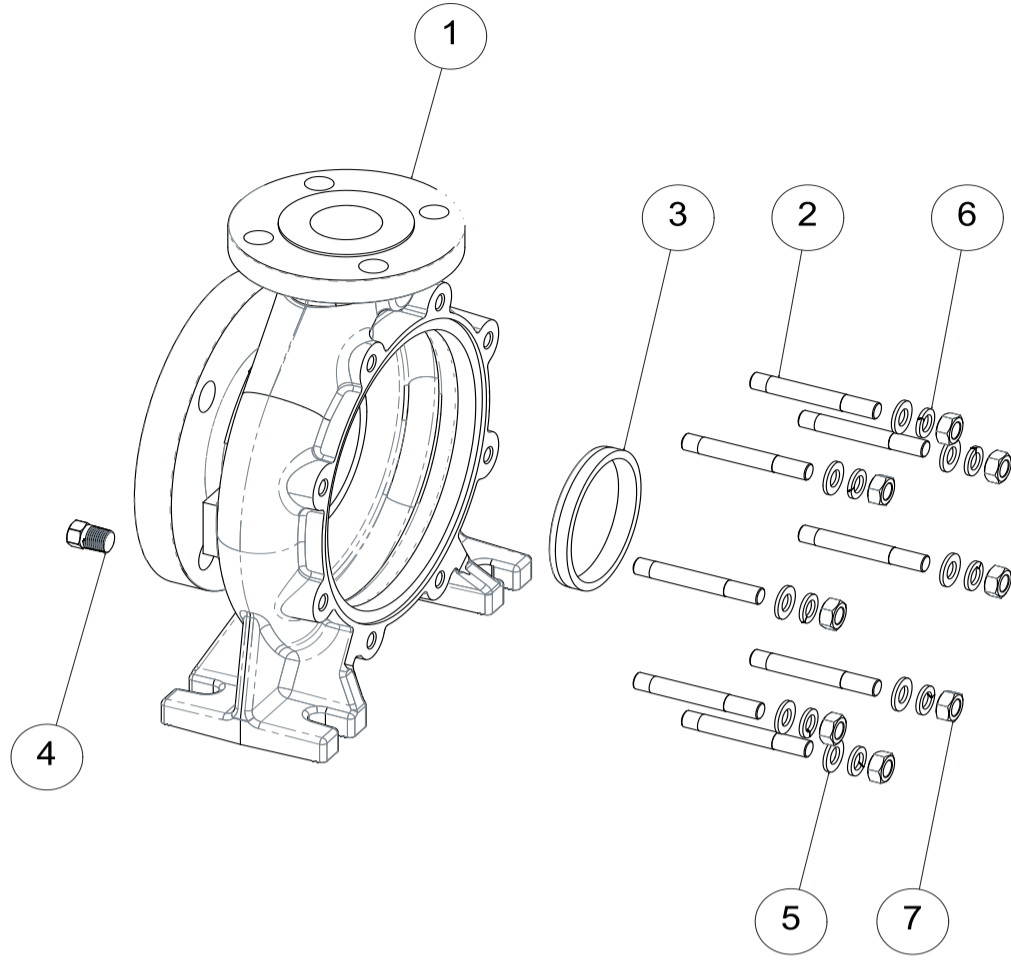


PUMP MODEL: CN MAG-M 2^Range

ITEM: PUMP CASING ASSEMBLY EXPLODED VIEWS

CODE: /

E10617



EXPLODED VIEW

N°	COMPONENT	DESCRIPTION		IDENTIFICATION		
		MODEL	FLANGE CONNECTIONS	COMPONENT CODE	MATERIAL	QUANTITY
1	Pump Casing	32-250	DIN 2633 - PN 16	56210C003DADF	CF8M	1
			ANSI B 16.5 - 150lb RF	56210C003DAAF		
		40-250	DIN 2633 - PN 16	56210C004DADF		
			ANSI B 16.5 - 150lb RF	56210C004DAAF		
		40-315	DIN 2633 - PN 16	56210C004EADF		
			ANSI B 16.5 - 150lb RF	56210C004EAAF		
		50-250	DIN 2633 - PN 16	56210C005DADF		
			ANSI B 16.5 - 150lb RF	56210C005DAAF		
		50-315	DIN 2633 - PN 16	56210C005EADF		
			ANSI B 16.5 - 150lb RF	56210C005EAAF		
		65-160	DIN 2633 - PN 16	56210C006BDF		
			ANSI B 16.5 - 150lb RF	56210C006BAAF		
		65-200	DIN 2633 - PN 16	56210C006CADF		
			ANSI B 16.5 - 150lb RF	56210C006CAAF		
		65-250	DIN 2633 - PN 16	56210C006DADF		
			ANSI B 16.5 - 150lb RF	56210C006DAAF		
		80-160	DIN 2633 - PN 16	56210C008BADF		
			ANSI B 16.5 - 150lb RF	56210C008BAAF		
80-200	DIN 2633 - PN 16	56210C008CADF				
	ANSI B 16.5 - 150lb RF	56210C008CAAF				
80-250	DIN 2633 - PN 16	56210C008DADF				
	ANSI B 16.5 - 150lb RF	56210C008DAAF				
100-200	DIN 2633 - PN 16	56210C010CADF				
	ANSI B 16.5 - 150lb RF	56210C010CAAF				
2	Stud Nut	XX-160 / XX-200		91610P1295Y	AISI 420B	8
		XX-250				12
3	Casing Wear Ring	32-XXX		55110CX04DA9510I	AISI 316	1
		40-XXX				
		50-250				
		50-315				
		65-XXX				
		80-160				
		800-XXX				
		100-XXX				
4	Drain Plug	3/8"NPT		9315038MA	AISI 316	1
5	Washer UNI 6592	XX-160 / XX-200		91630N1224A2	A2-70	8
		XX-250				12
6	Washer UNI 1751	XX-160 / XX-200		91630S1221A2	A2-70	8
		XX-250				12
7	Nut UNI5588	XX-160 / XX-200		91620N12A2	A2-70	8
		XX-250				12

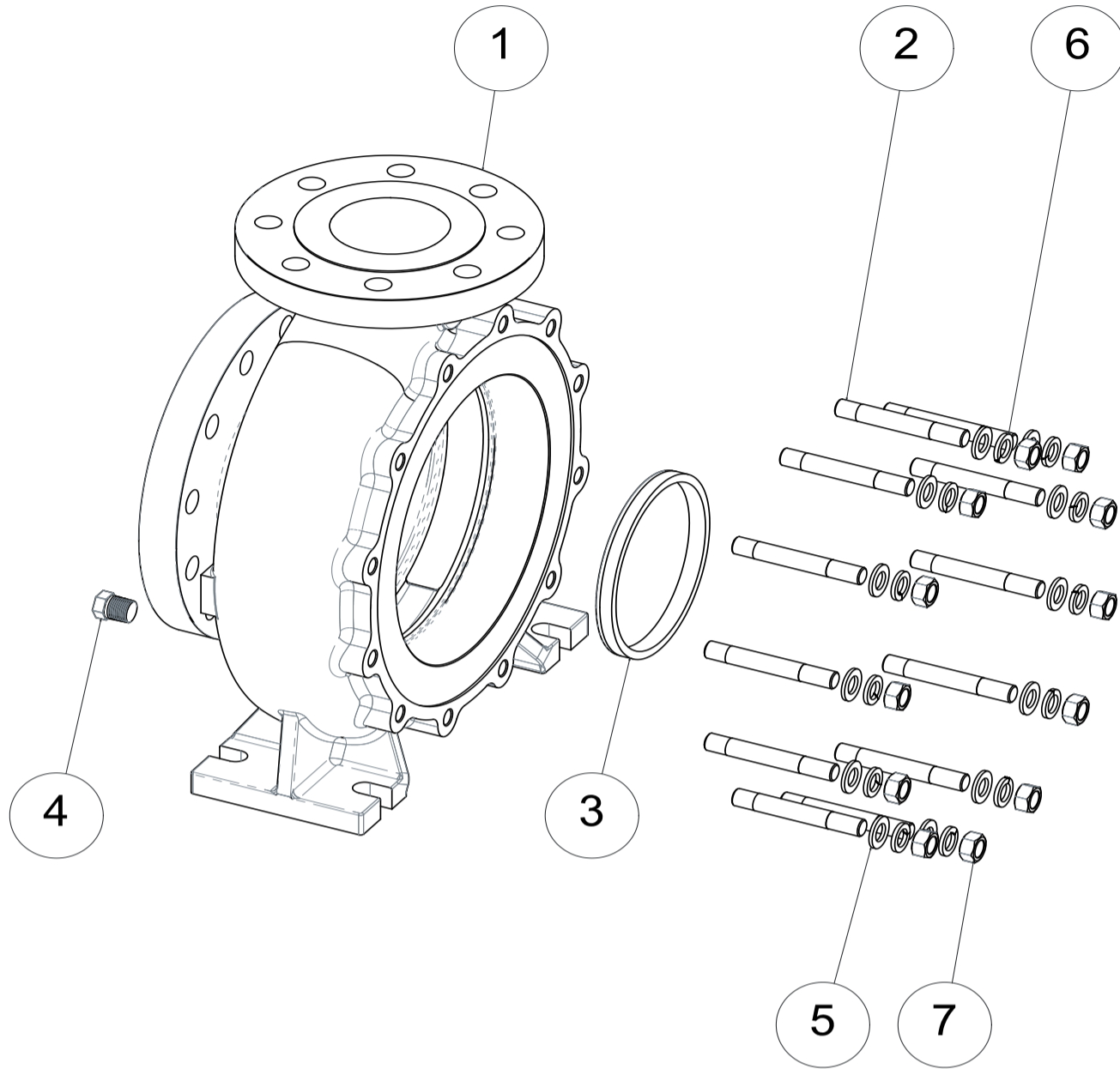


PUMP MODEL: CN MAG-M 3^Range

ITEM: PUMP CASING ASSEMBLY EXPLODED VIEWS

CODE: /

E10618



EXPLODED VIEW

N°	COMPONENT	DESCRIPTION		IDENTIFICATION		
		MODEL	FLANGE CONNECTIONS	COMPONENT CODE	MATERIAL	QUANTITY
1	Pump Casing	80-315	DIN 2633 - PN 16	56210C008EADF	CF8M	1
			ANSI B 16.5 - 150lb RF	56210C008EAAF		
		80-400	DIN 2633 - PN 16	56210C008FADF		
			ANSI B 16.5 - 150lb RF	56210C008FAAF		
		100-250	DIN 2633 - PN 16	56210C010DADF		
			ANSI B 16.5 - 150lb RF	56210C010DAAF		
		100-315	DIN 2633 - PN 16	56210C010EADF		
			ANSI B 16.5 - 150lb RF	56210C010EAAF		
		100-400	DIN 2633 - PN 16	56210C010FADF		
			ANSI B 16.5 - 150lb RF	56210C010FAAF		
		125-250	DIN 2633 - PN 16	56210C012DADF		
			ANSI B 16.5 - 150lb RF	56210C012DAAF		
		125-315	DIN 2633 - PN 16	56210C012EADF		
			ANSI B 16.5 - 150lb RF	56210C012EAAF		
125-400	DIN 2633 - PN 16	56210C012FADF				
	ANSI B 16.5 - 150lb RF	56210C012FAAF				
150-250	DIN 2633 - PN 16	56210C015DADF				
	ANSI B 16.5 - 150lb RF	56210C015DAAF				
2	Stud Nut	3^R	91610P16107A2	AISI 420B	12	
3	Casing Wear Ring	80-XXX	55110CX08BA1401I	AISI 316	1	
		100-XXX	55110CX08DA1601I			
		125-XXX	55110C012DA1801I			
		150-XXX	55110C015DA2301I			
4	Drain Plug	1/2"NPT	9315012MA	AISI 316	1	
5	Washer UNI 6592	D.16x30	91630N1630A2	A2-70	12	
6	Washer UNI 1751	D.16x27	91630S1627A2	A2-70	12	
7	Nut UNI5588	M16	91620N16A2	A2-70	12	