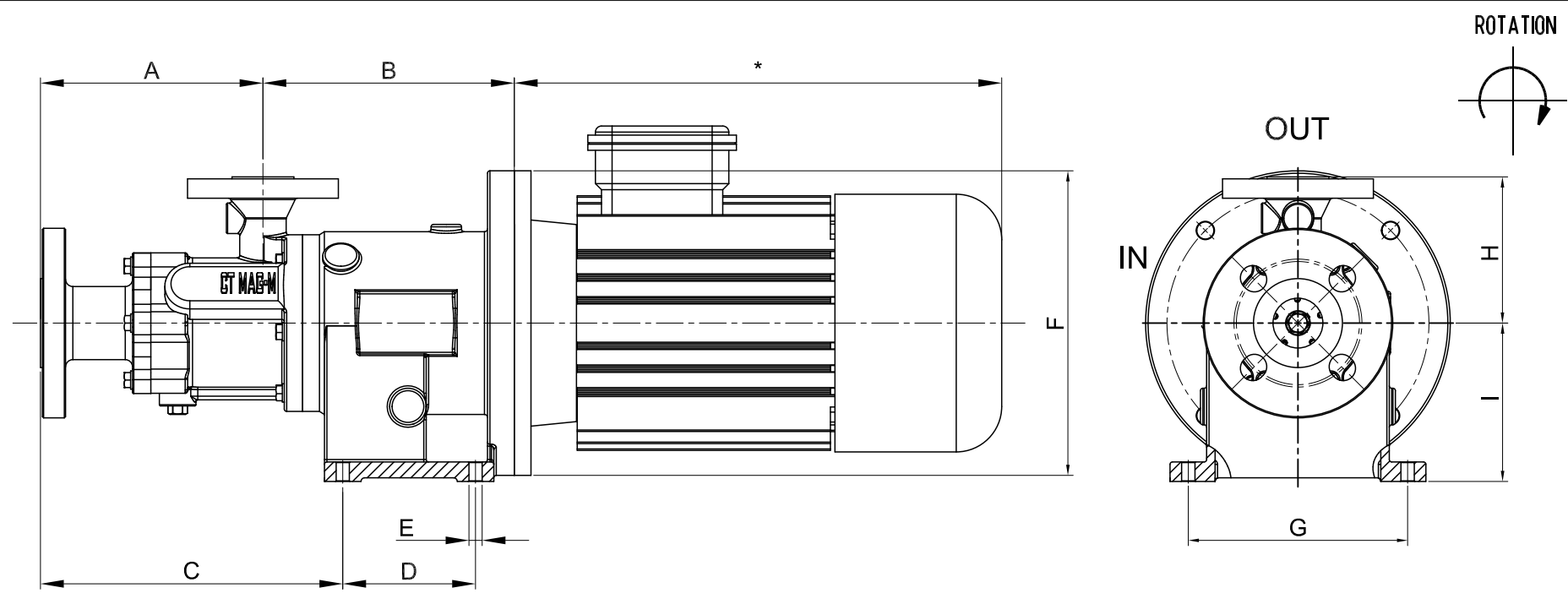


OUTLINE DRAWING

CODE: D 10939 Rev.:00



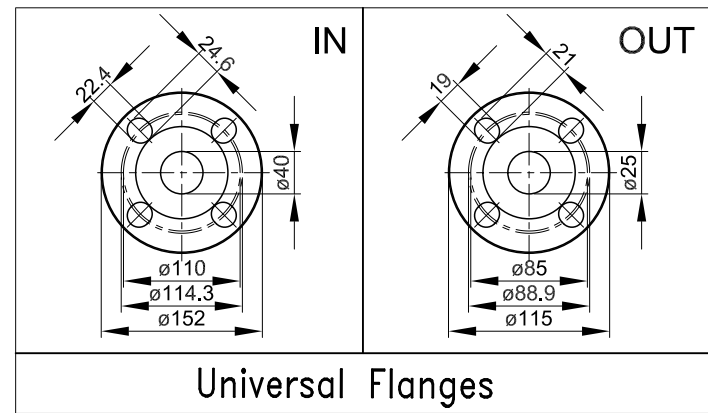
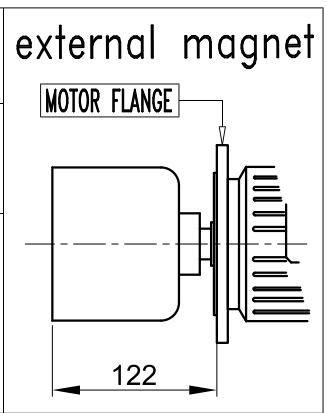
DIMENSIONS

A	B	C	D	E	F	G	H	I
183	196	248	109	11	200	180	120	103

- This drawing is for reference only

- Pump may be supplied without motor

- All dimensions are in millimeters



Universal Flanges

ITEM: Pump model: CT MAG-M3/4

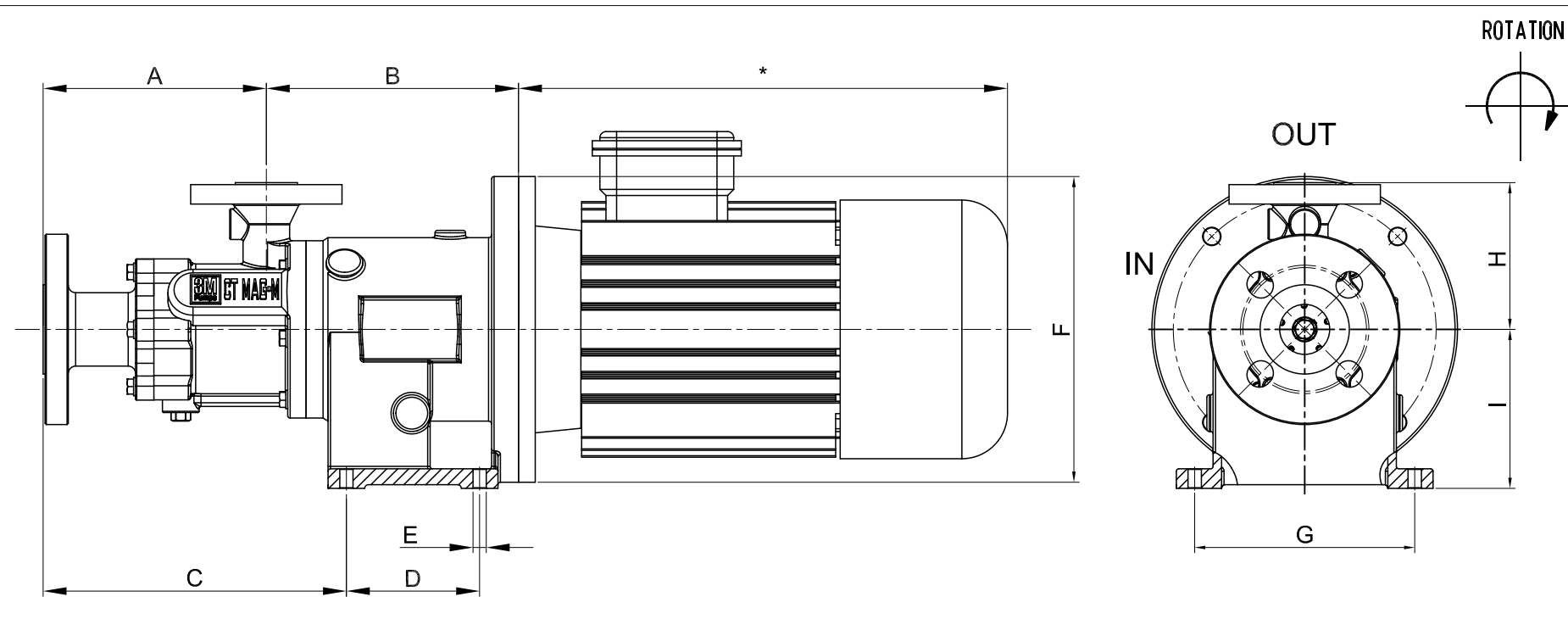
Motor: IEC Gr.90 B5

Port connection: Flanged

Standard: ANSI (ASA) B16.5 300 lbs / UNI 2282-67 PN.40

OUTLINE DRAWING

CODE: D 10938 Rev:00

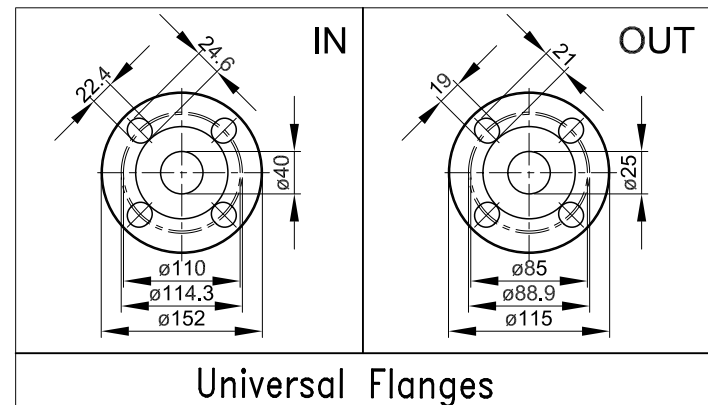
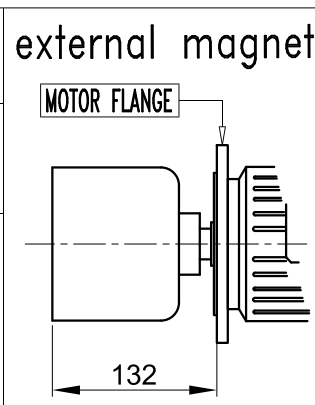


ITEM: Pump model: CT MAG-M3/4

DIMENSIONS

A	B	C	D	E	F	G	H	I
183	206	248	109	11	250	180	120	130

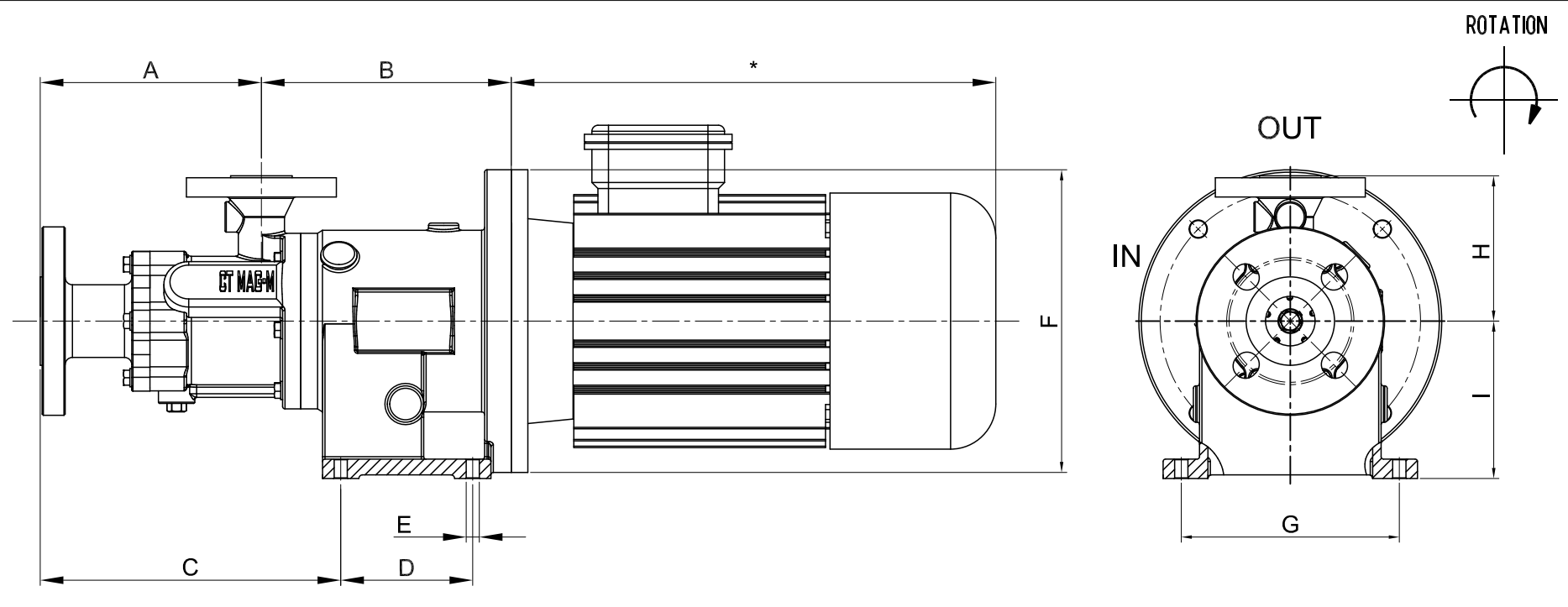
- This drawing is for reference only
 - Pump may be supplied without motor
 - All dimensions are in millimeters



Motor: IEC Gr.100-112 B5
 Port connection: Flanged
 Standard: ANSI (ASA) B16.5 300 lbs / UNI 2282-67 PN.40

OUTLINE DRAWING

CODE: D 10890 Rev:00



Pump model: CT MAG-M5/6

ITEM:

DIMENSIONS

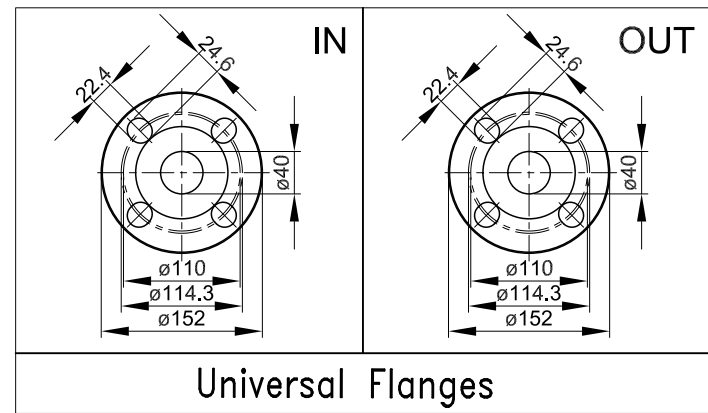
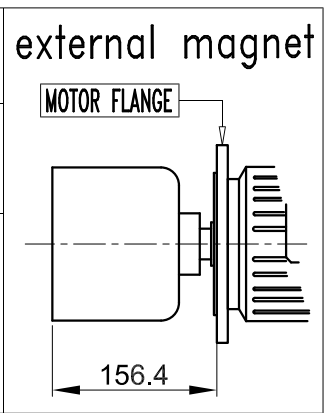
A	B	C	D	E	F	G	H	I
202.7	242	287.7	119	11	300	190	140	155

- This drawing is for reference only

- Pump may be supplied without motor

- All dimensions are in millimeters

* Depend on the manufacturer



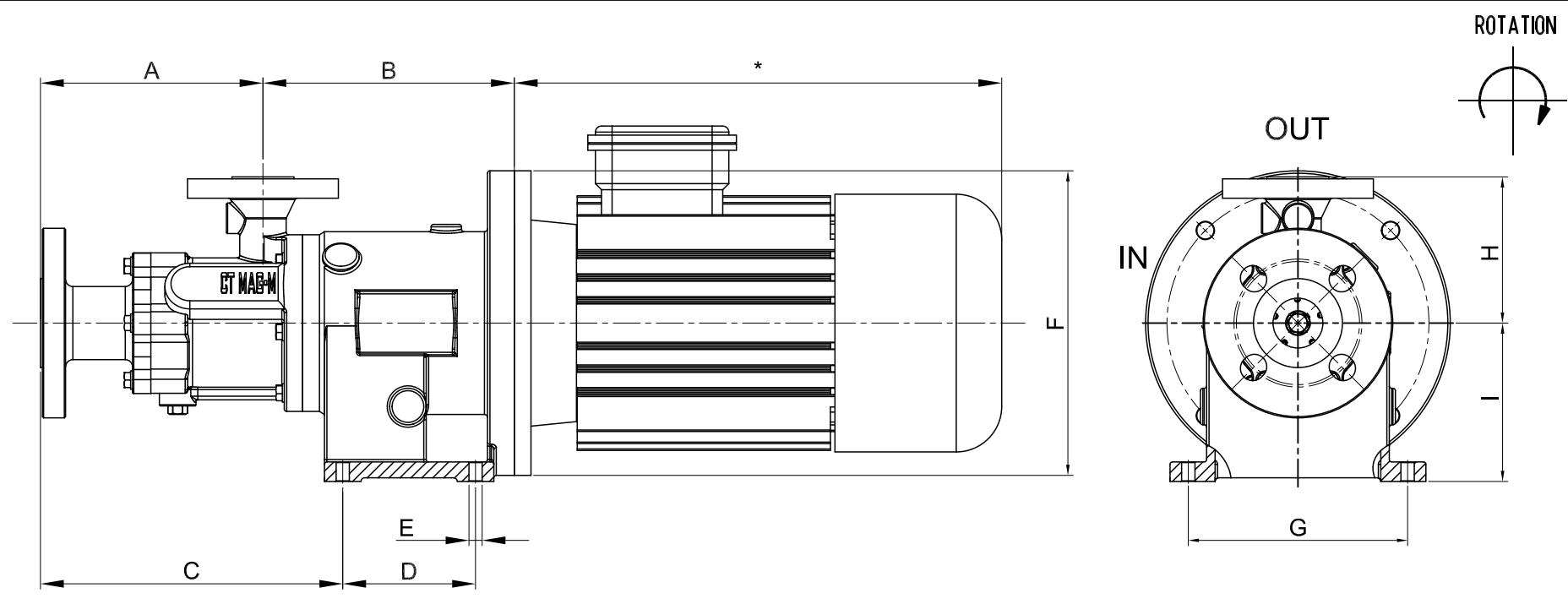
Motor: IEC Gr.132 B5

Port connection: Flanged

Standard: ANSI (ASA) B16.5 300 lbs / UNI 2282-67 PN.40

OUTLINE DRAWING

CODE: D 10891 Rev.:00



ITEM: Pump model: CT MAG-M5/6

DIMENSIONS

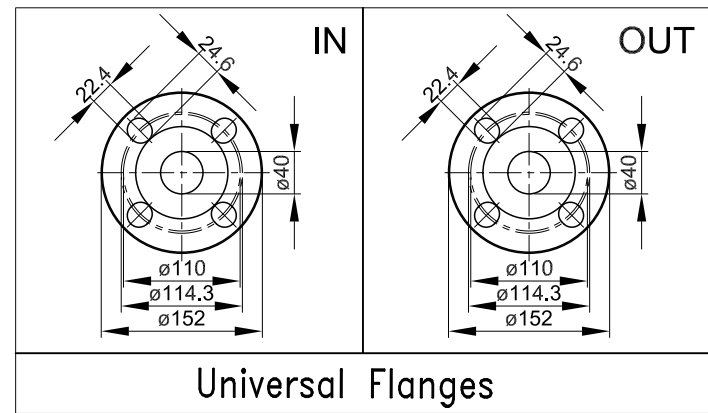
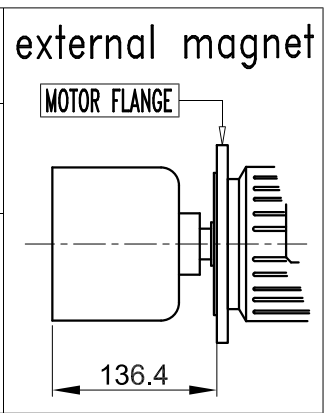
A	B	C	D	E	F	G	H	I
202.7	222	282.7	120	11	250	190	140	135

- This drawing is for reference only

- Pump may be supplied without motor

- All dimensions are in millimeters

* Depend on the manufacturer



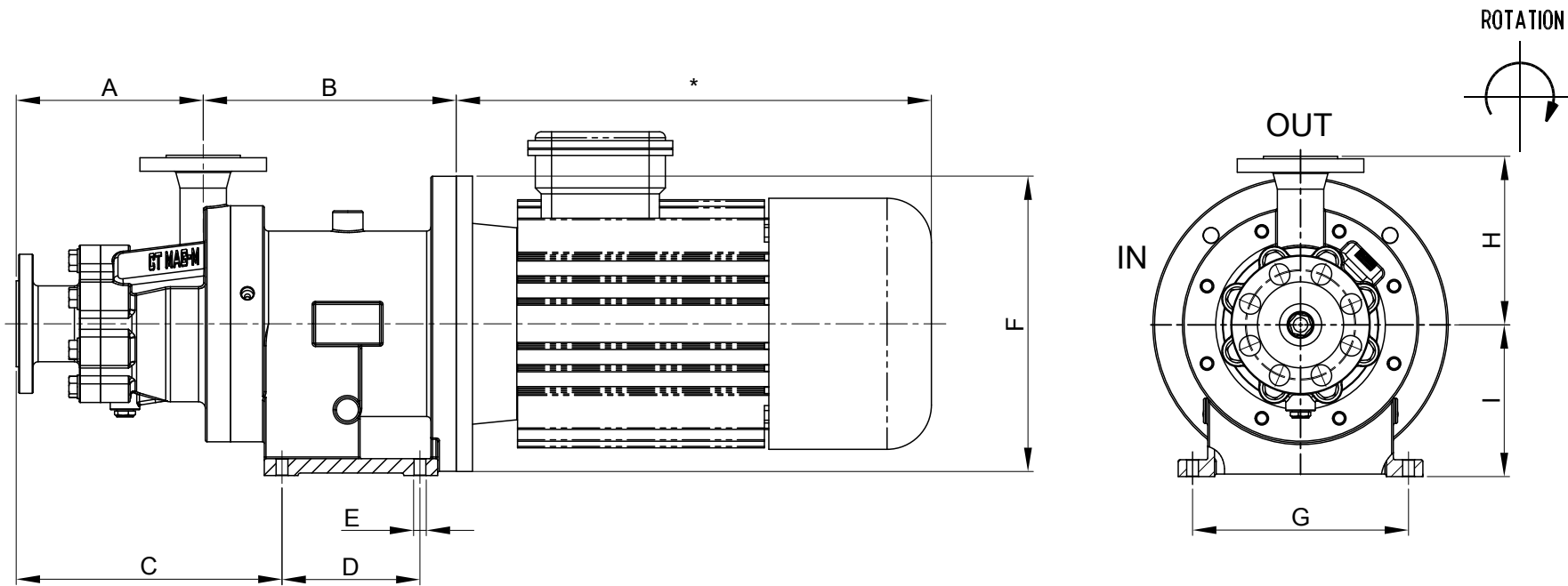
Motor: IEC Gr.100/112 B5

Port connection: Flanged

Standard: ANSI (ASA) B16.5 300 lbs / UNI 2282-67 PN.40

OUTLINE DRAWING

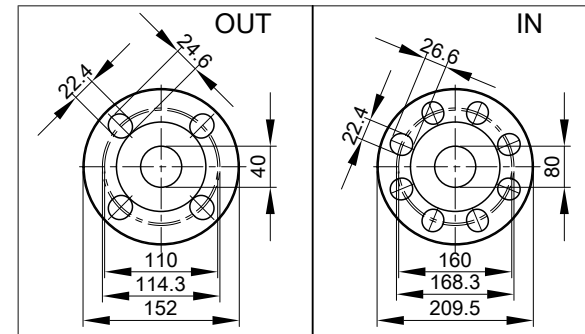
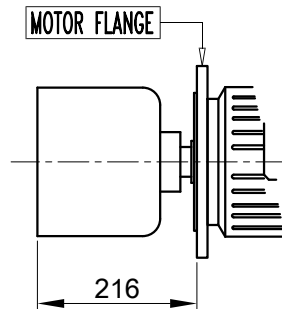
CODE: D 10940 Rev.:01



DIMENSIONS

A	B	C	D	E	F	G	H	I
222	300	335	150	12	350	250	200	180

external magnet



Universal Flanges

- This drawing is for reference only

- Pump may be supplied without motor

- All dimensions are in millimeters

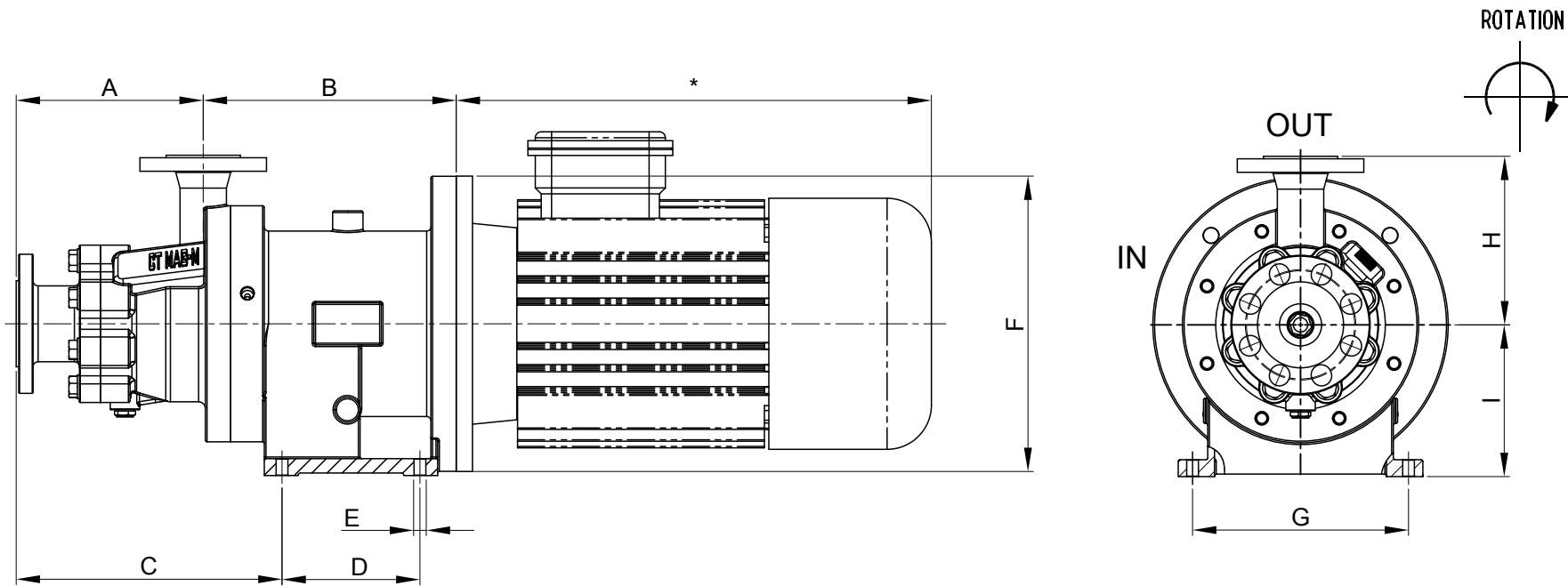
* Depend on the manufacturer

ITEM: Pump model: CT MAG-M7:14

Motor: IEC Gr.160/180 B5
 Port connection: Flanged
 Standard: ANSI (ASA) B16.5 300 lbs / UNI 2282-67 PN.40

OUTLINE DRAWING

CODE: D 10941 Rev.:01

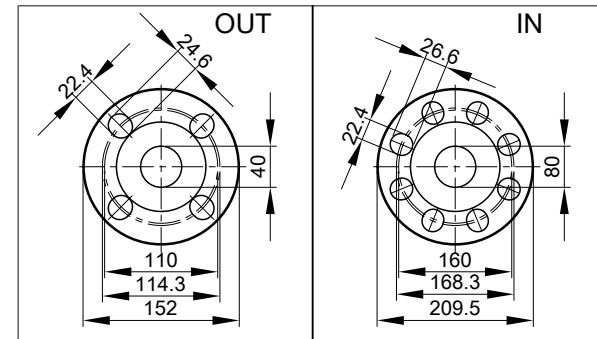
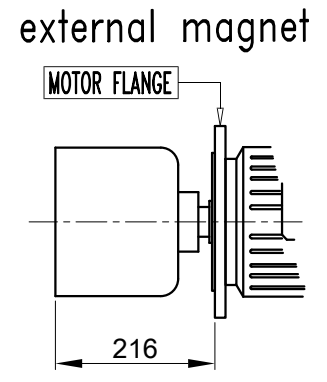


DIMENSIONS

A	B	C	D	E	F	G	H	I
222	300	335	150	12	400	250	200	210

- This drawing is for reference only
 - Pump may be supplied without motor

* Depend on the manufacturer



Universal Flanges

ITEM: Pump model: CT MAG-M7:14

Motor: IEC Gr.200 B5
 Port connection: Flanged
 Standard: ANSI (ASA) B16.5 300 lbs / UNI 2282-67 PN.40