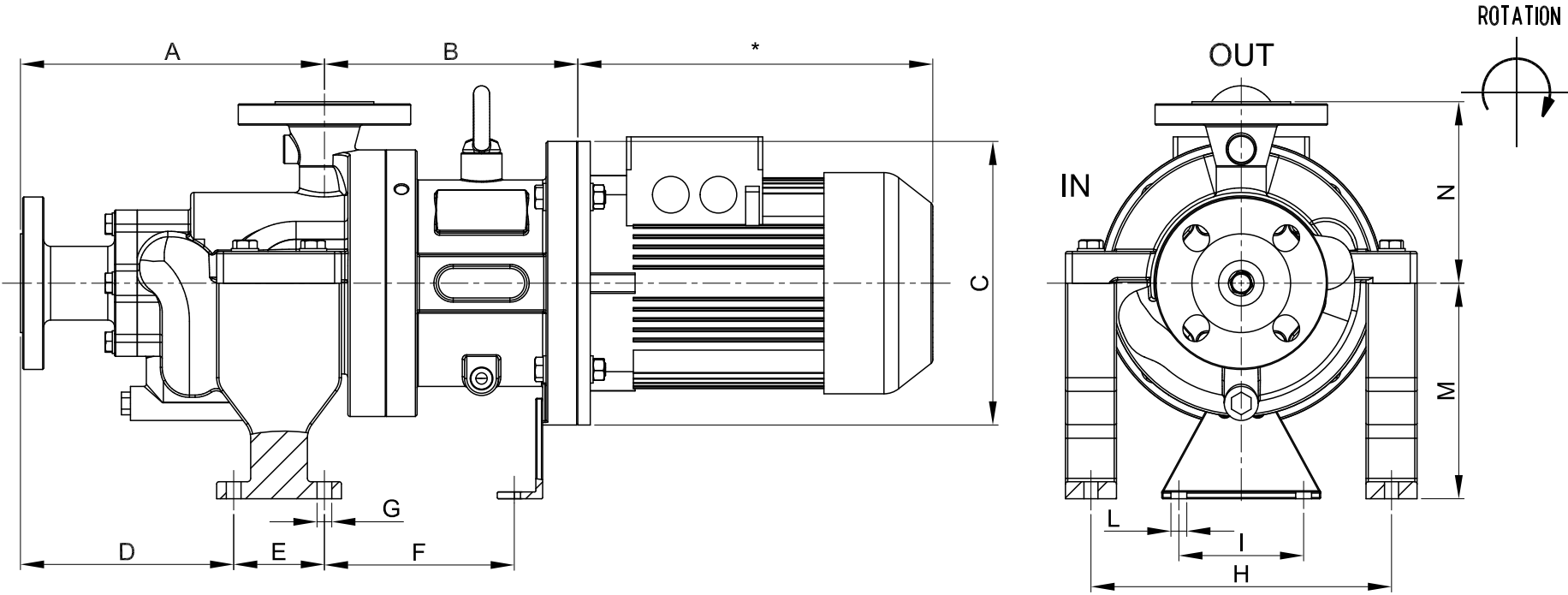


OUTLINE DRAWING

CODE: D 10756 Rev.:00



Pump model: CT MAG-MS 5-6/2S
ITEM:

DIMENSIONS

A	B	C	D	E	F	G	H	I	L	M	N
268	224	250	188	80	168	13	265	110	14	190	160

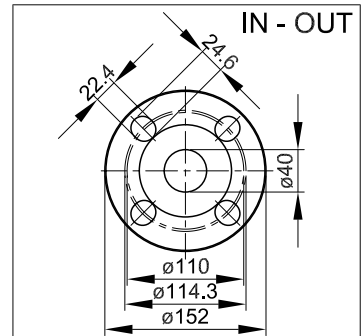
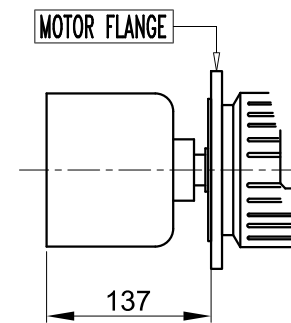
- This drawing is for reference only

- Pump may be supplied without motor

- All dimensions are in millimeters

* Depend on the manufacturer

external magnet

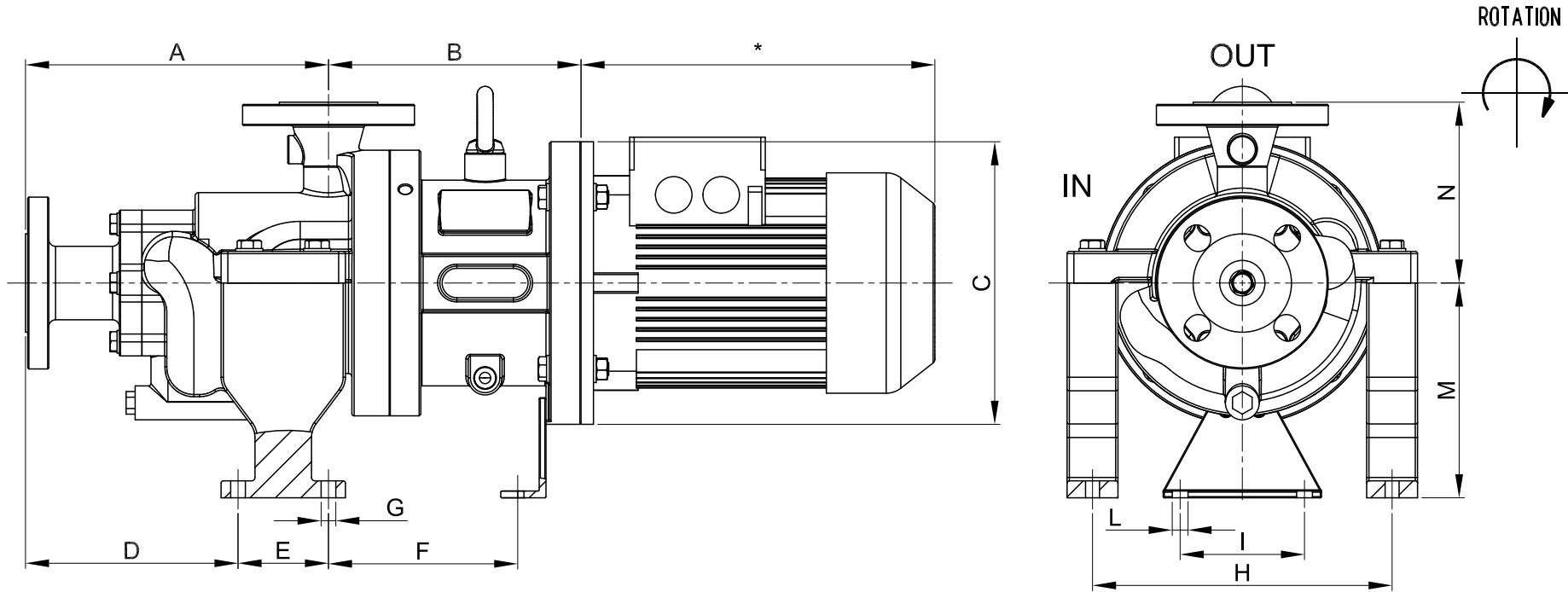


Universal Flanges

Motor: IEC Gr.100/112 B5
Port connection: Flanged
Standard: ANSI (ASA) B16.5 / UNI 2282-67 PN.40

OUTLINE DRAWING

CODE: D 10757 Rev.:00



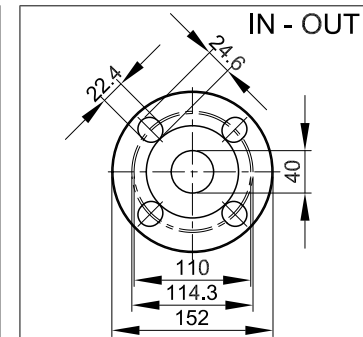
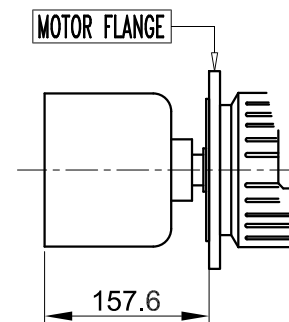
DIMENSIONS

A	B	C	D	E	F	G	H	I	L	M	N
268	244	300	188	80	188	13	265	110	14	190	160

- This drawing is for reference only
- Pump may be supplied without motor
- All dimensions are in millimeters

* Depend on the manufacturer

external magnet



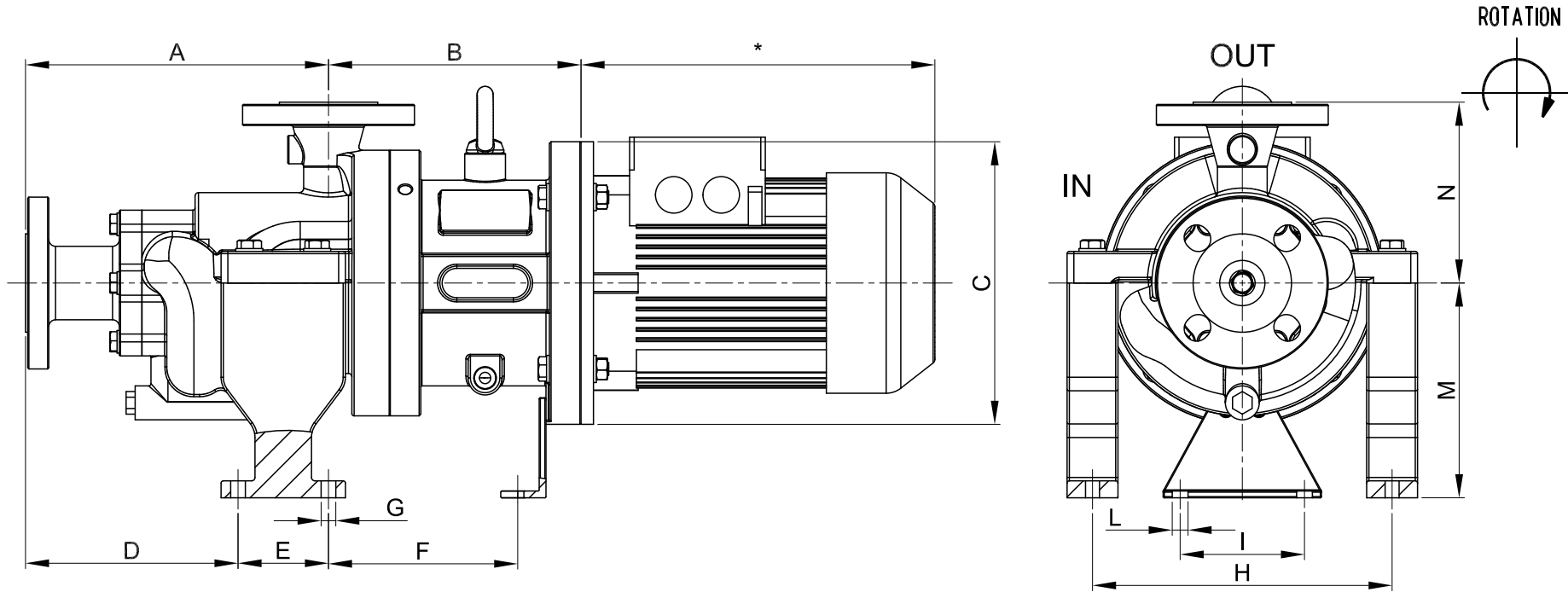
Universal Flanges

Motor: IEC Gr.132 B5
 Port connection: Flanged
 Standard: ANSI (ASA) B16.5 / UNI 2282-67 PN.40

ITEM:
 Pump model: CT MAG-MS 5-6/2S

OUTLINE DRAWING

CODE: D 10942 Rev:00



DIMENSIONS

A	B	C	D	E	F	G	H	I	L	M	N
268	274	350	188	80	218	13	265	110	14	190	160

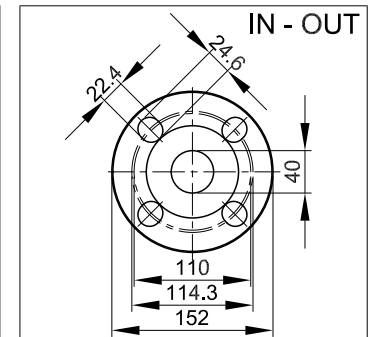
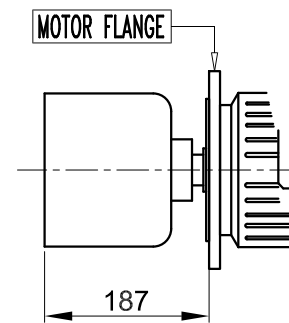
- This drawing is for reference only

* Depend on the manufacturer

- Pump may be supplied without motor

- All dimensions are in millimeters

external magnet



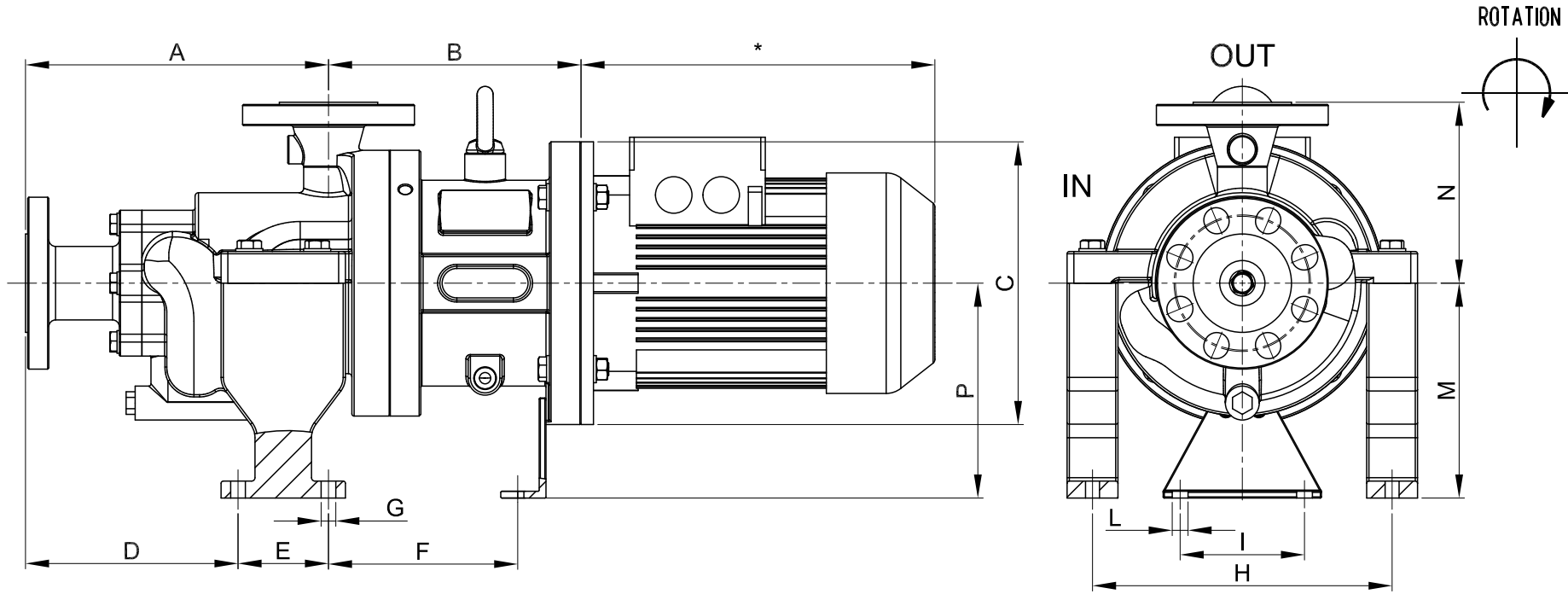
Universal Flanges

Motor: IEC Gr.160 B5
 Port connection: Flanged
 Standard: ANSI (ASA) B16.5 / UNI 2282-67 PN.40

Pump model: CT MAG-MS 5-6/2S
 ITEM:

OUTLINE DRAWING

CODE: D 10943 Rev.:00



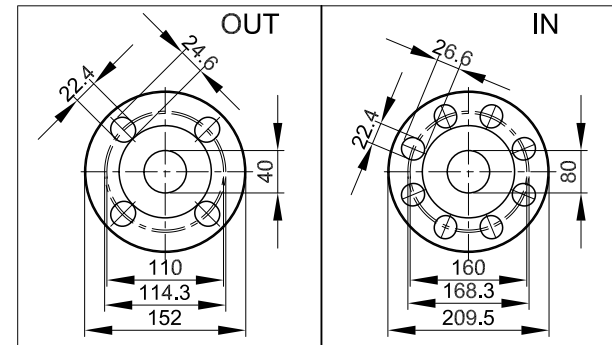
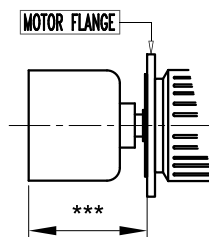
DIMENSIONS

A	B	C	D	E	F	G	H	I	L	M	N	P
294	267	300	171	100	194	13	315	110	16	190	200	190

- This drawing is for reference only
- Pump may be supplied without motor
- All dimensions are in millimeters

* Depend on the manufacturer

external magnet



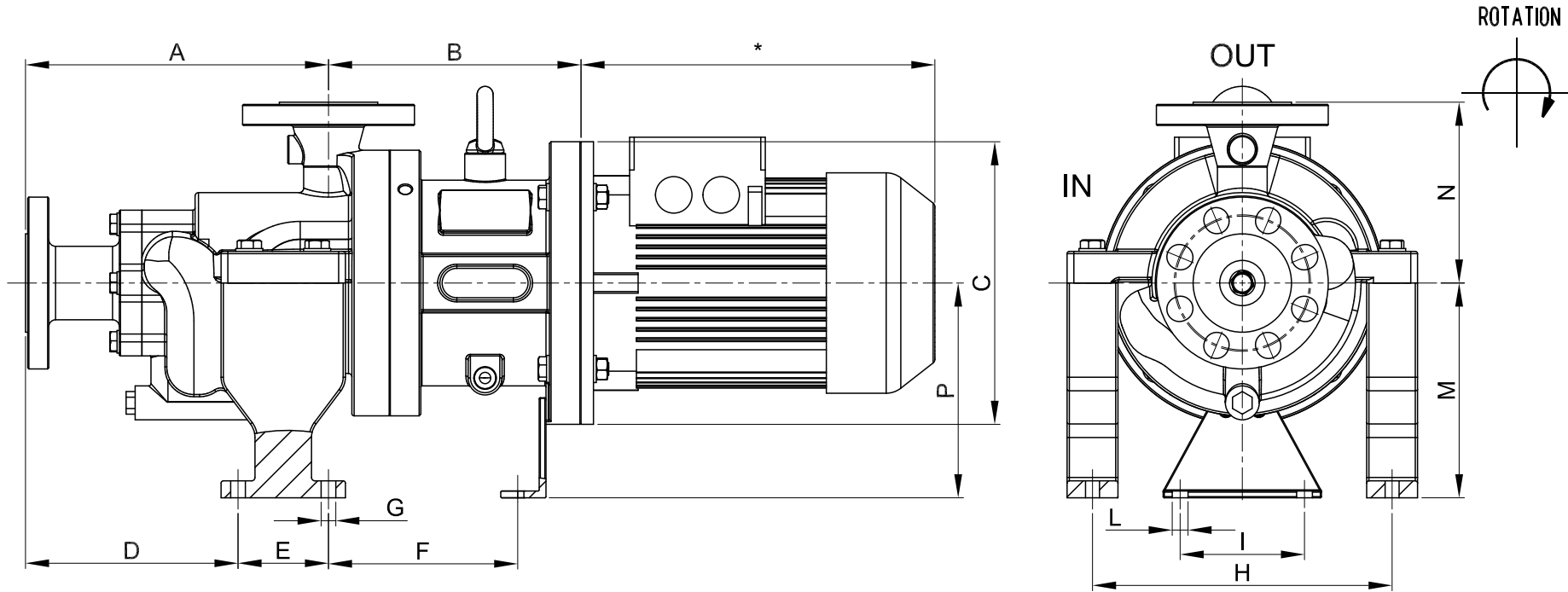
Universal Flanges

ITEM: Pump model: CT MAG-MS 7:1/4/2S

Motor: IEC Gr.132 B5
 Port connection: Flanged
 Standard: ANSI (ASA) B16.5 ANSI 3001b / UNI 2282-67 PN.40

OUTLINE DRAWING

CODE: D 10944 Rev.:00



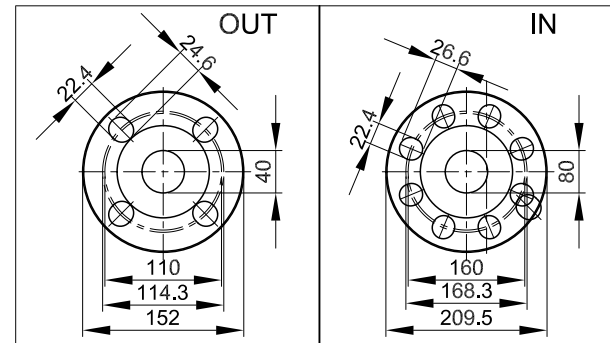
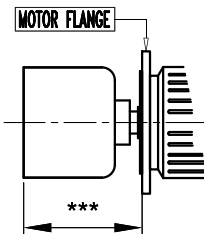
DIMENSIONS

A	B	C	D	E	F	G	H	I	L	M	N	P
294	297	350	171	100	255	13	315	110	16	190	200	190

- This drawing is for reference only
- Pump may be supplied without motor
- All dimensions are in millimeters

* Depend on the manufacturer

external magnet



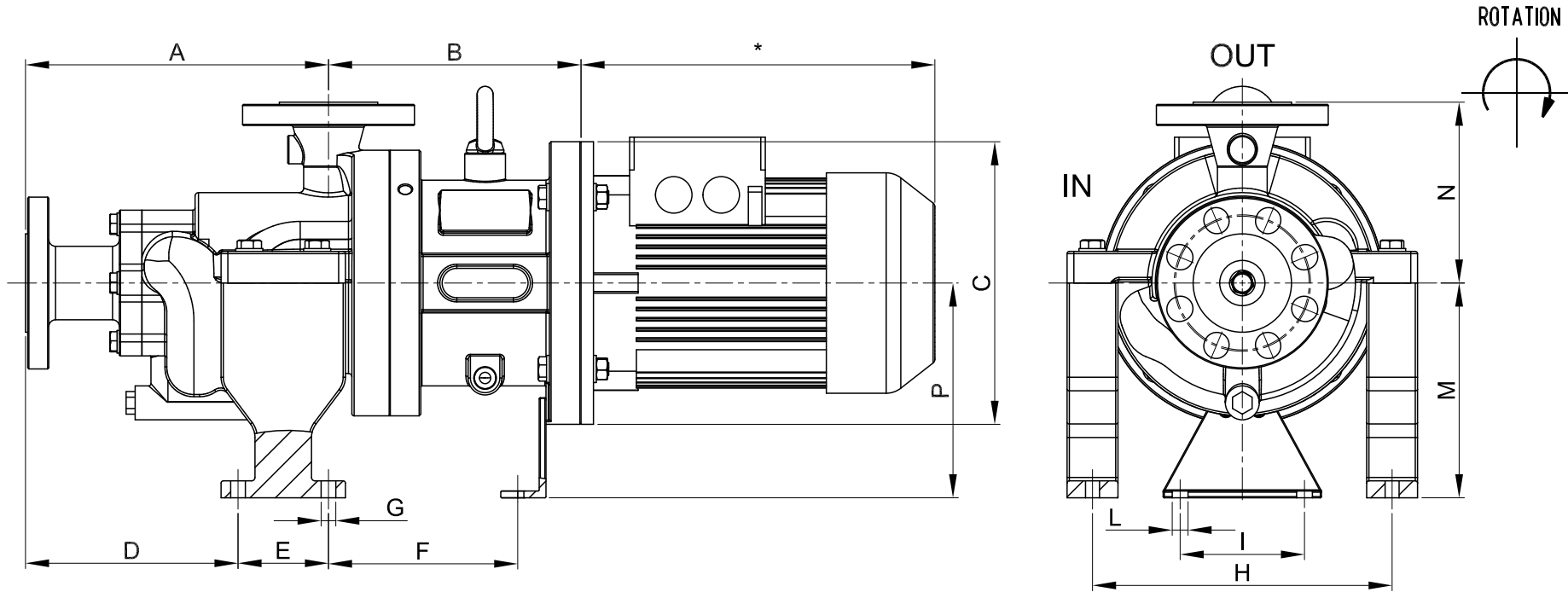
Universal Flanges

ITEM: Pump model: CT MAG-MS 7:1/4/2S

Motor: IEC Gr.160 B5
 Port connection: Flanged
 Standard: ANSI (ASA) B16.5 ANSI 3001b / UNI 2282-67 PN.40

OUTLINE DRAWING

CODE: D 10945 Rev.:00



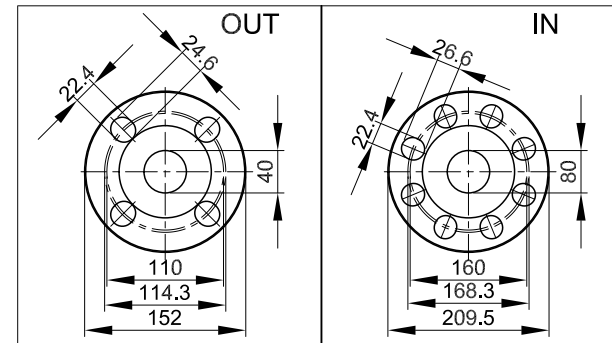
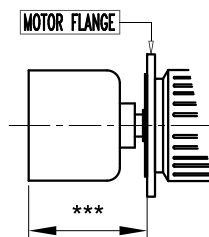
DIMENSIONS

A	B	C	D	E	F	G	H	I	L	M	N	P
294	297	350	171	100	255	13	315	110	16	190	200	190

- This drawing is for reference only
- Pump may be supplied without motor
- All dimensions are in millimeters

* Depend on the manufacturer

external magnet



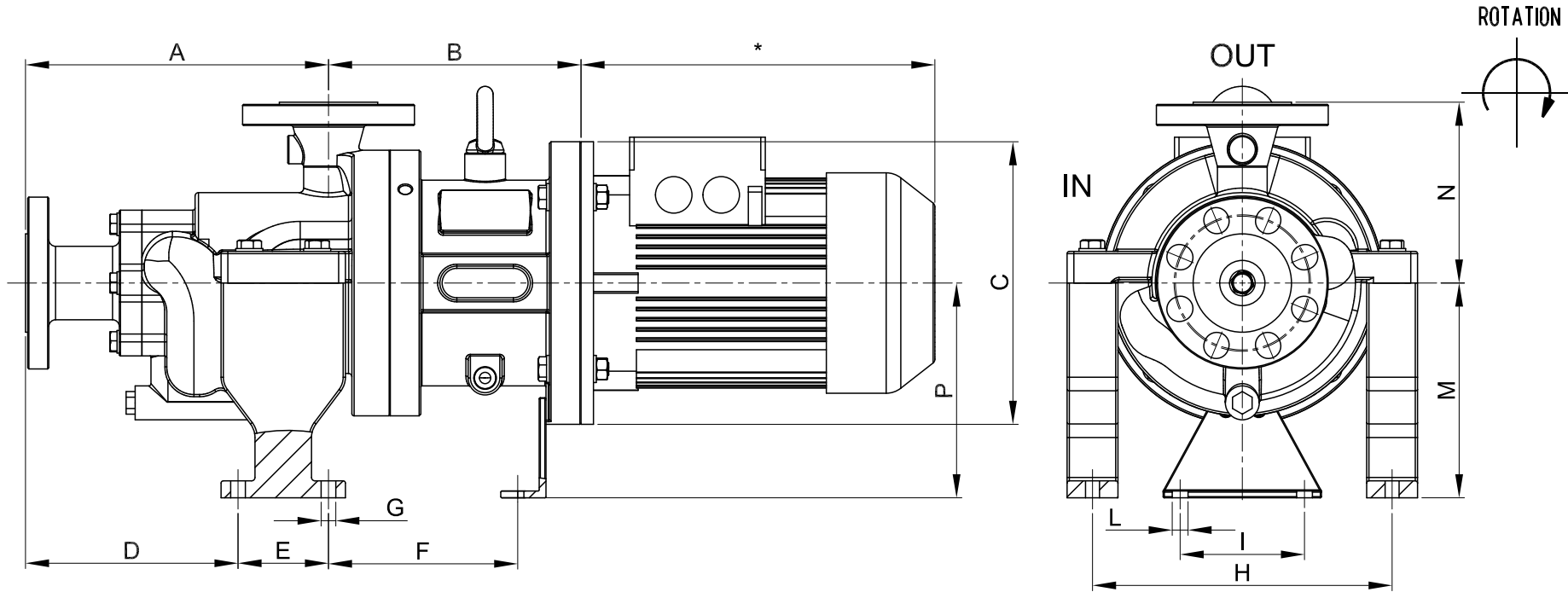
Universal Flanges

Motor: IEC Gr.180 B5
 Port connection: Flanged
 Standard: ANSI (ASA) B16.5 ANSI 3001b / UNI 2282-67 PN.40

ITEM:
 Pump model: CT MAG-MS 7:1/4/2S

OUTLINE DRAWING

CODE: D 10946 Rev.:00



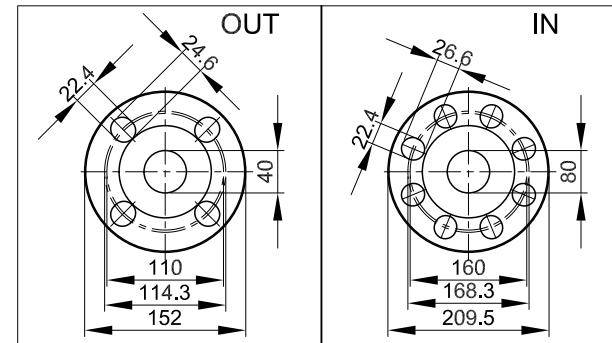
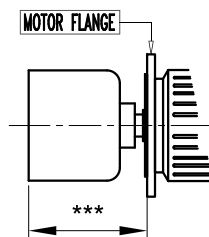
DIMENSIONS

A	B	C	D	E	F	G	H	I	L	M	N	P
294	297	400	171	100	255	13	315	110	16	190	200	210

- This drawing is for reference only
- Pump may be supplied without motor
- All dimensions are in millimeters

* Depend on the manufacturer

external magnet



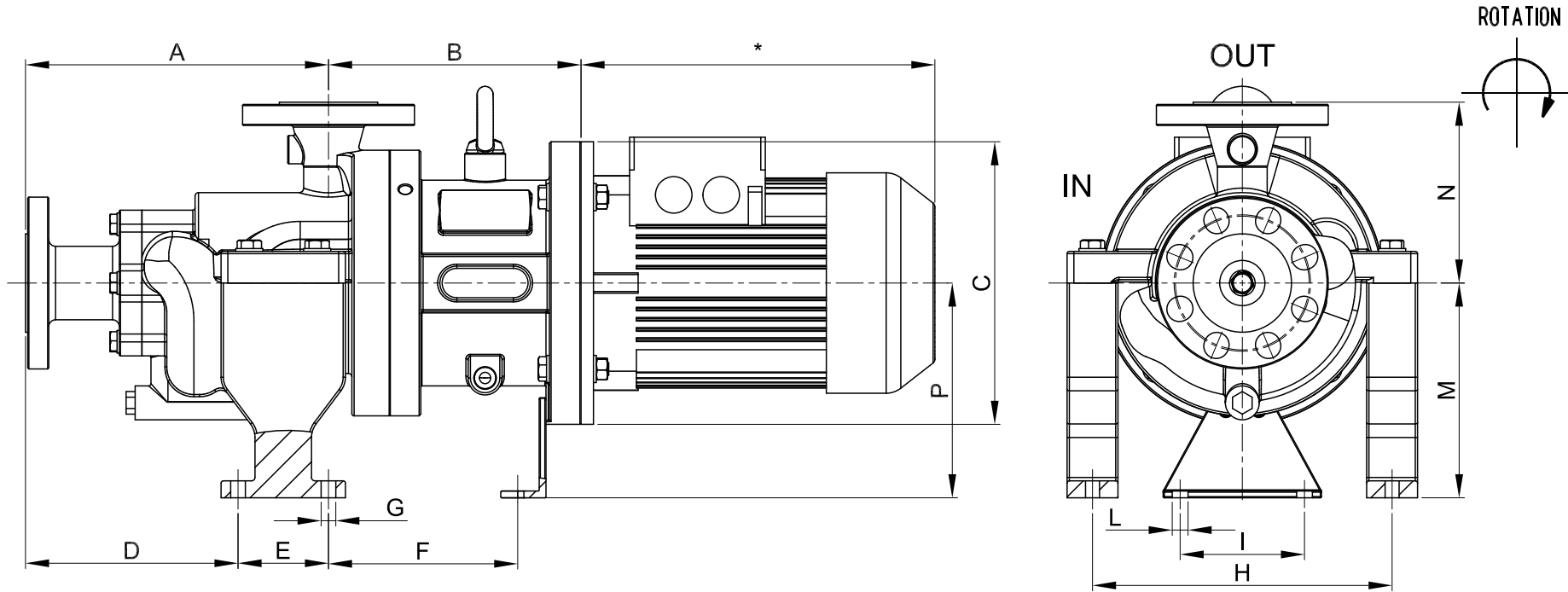
Universal Flanges

ITEM: Pump model: CT MAG-MS 7:1/4/2S

Motor: IEC Gr.200 B5
 Port connection: Flanged
 Standard: ANSI (ASA) B16.5 ANSI 3001b / UNI 2282-67 PN.40

OUTLINE DRAWING

CODE: D 10947 Rev.:00



DIMENSIONS

A	B	C	D	E	F	G	H	I	L	M	N	P
294	327	450	171	100	285	13	315	110	16	190	200	240

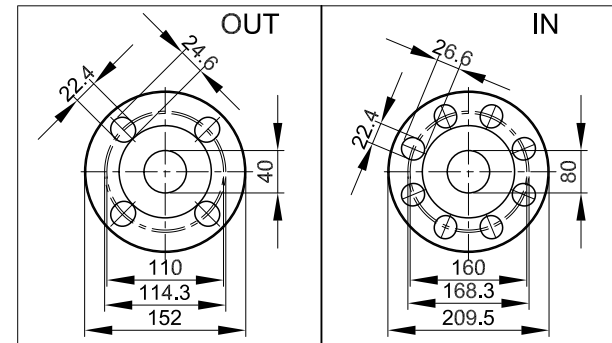
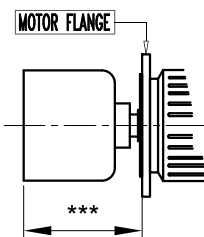
- This drawing is for reference only

* Depend on the manufacturer

- Pump may be supplied without motor

- All dimensions are in millimeters

external magnet



Universal Flanges

ITEM:

Pump model: CT MAG-MS 7:1/4/2S

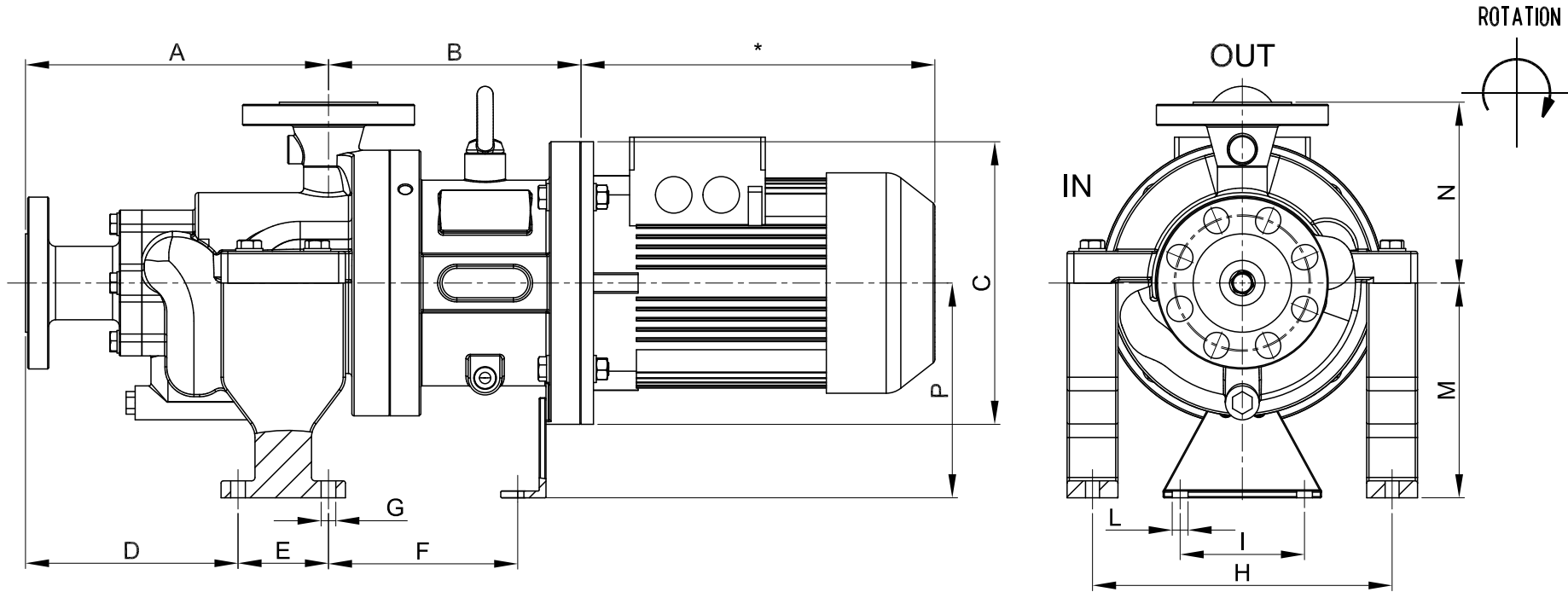
Port connection: Flanged

Motor: IEC Gr.225 B5

Standard: ANSI (ASA) B16.5 ANSI 3001b / UNI 2282-67 PN.40

OUTLINE DRAWING

CODE: D 10948 Rev.:00



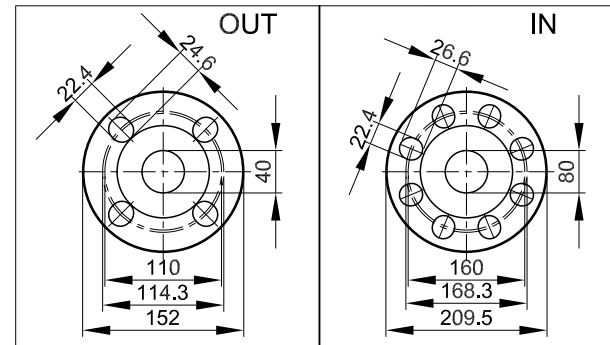
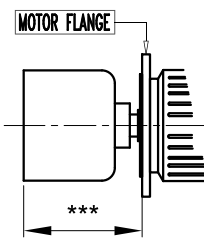
DIMENSIONS

A	B	C	D	E	F	G	H	I	L	M	N	P
294	327	550	171	100	285	13	315	110	16	190	200	290

- This drawing is for reference only
- Pump may be supplied without motor
- All dimensions are in millimeters

* Depend on the manufacturer

external magnet



Universal Flanges

ITEM: Pump model: CT MAG-MS 7:1/4/2S

Motor: IEC Gr.250 B5
 Port connection: Flanged
 Standard: ANSI (ASA) B16.5 ANSI 3001b / UNI 2282-67 PN.40