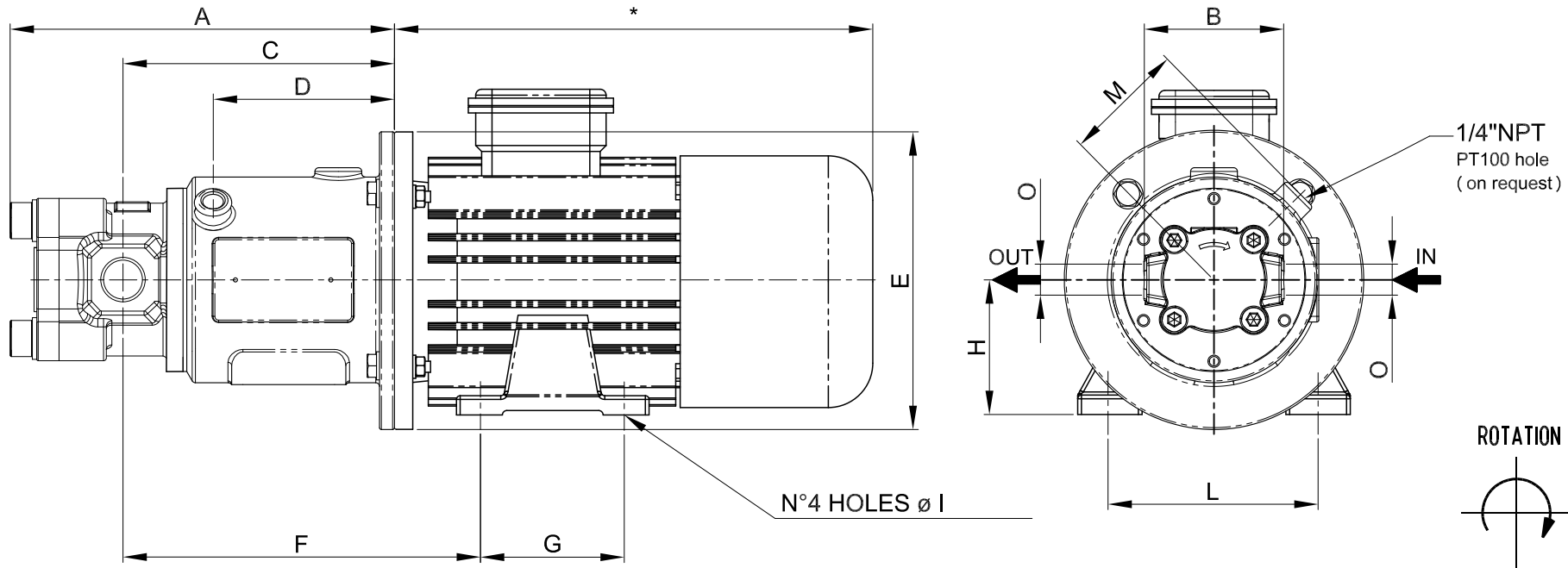


OUTLINE DRAWING

CODE: D 10008 Rev.:00



ITEM: Pump model: VA IN LINE

DIMENSIONS

A	B	C	D	E	F	G	H	I	L	M
177	74	136	96	160	181	90	71	7	112	65

- This drawing is for reference only
- Pump may be supplied without motor
- All dimensions are in millimeters

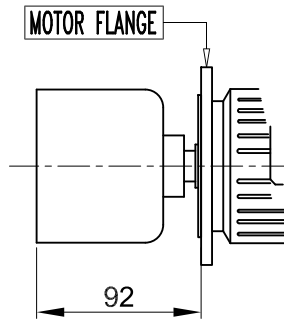
* Depend on the manufacturer

Suction / Discharge Port



3/8" BSP-F/NPT-F

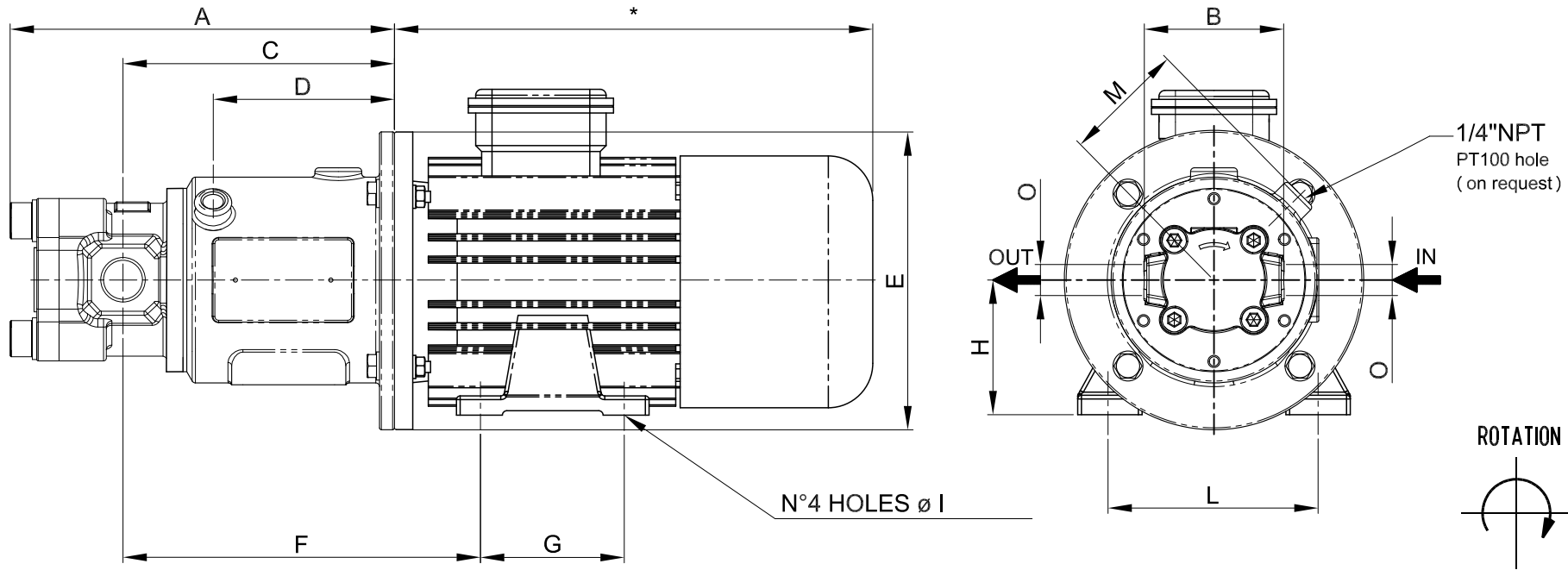
external magnet



Motor: IEC Gr71 B3/B5
 Port connection: Threaded
 Standard: BSP-F UNI ISO 228/1 | NPT-F USAS B2-1/1968

OUTLINE DRAWING

CODE: D 10097 Rev.:00



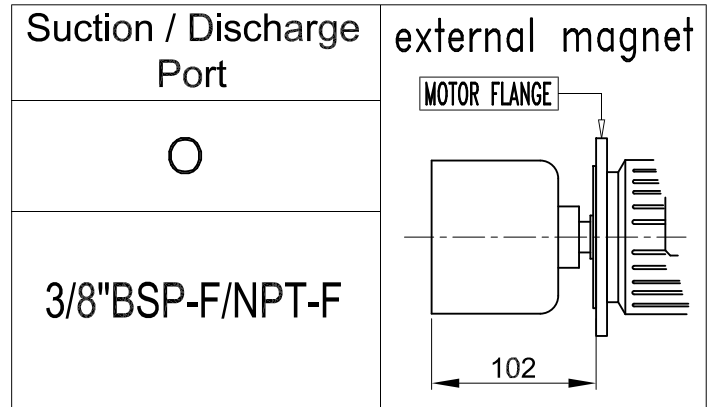
ITEM: Pump model: VA IN LINE

DIMENSIONS

A	B	C	D	E	F	G	H	I	L	M
187	74	146	106	200	196	100	80	10	125	65

- This drawing is for reference only
 - Pump may be supplied without motor
 - All dimensions are in millimeters

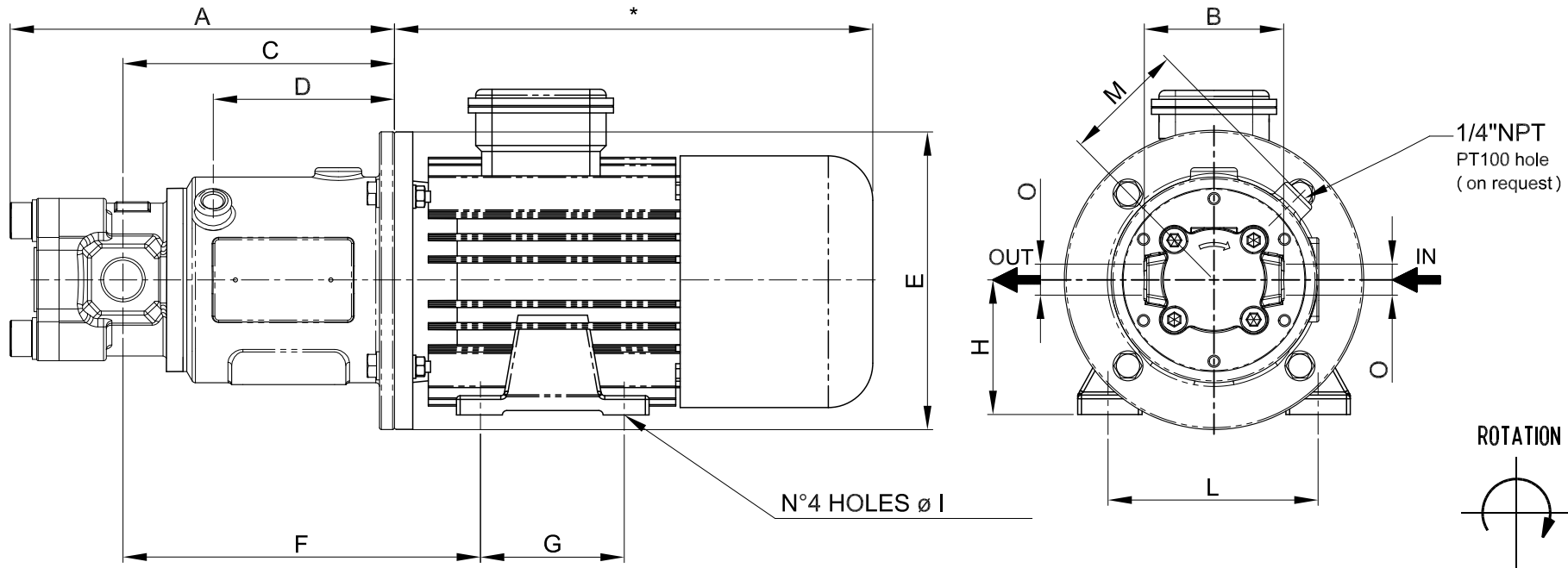
* Depend on the manufacturer



Motor: IEC Gr80 B3/B5
 Port connection: Threaded
 Standard: BSP-F UNI ISO 228/1 | NPT-F USAS B2-1/1968

OUTLINE DRAWING

CODE: D 10099 Rev.:00



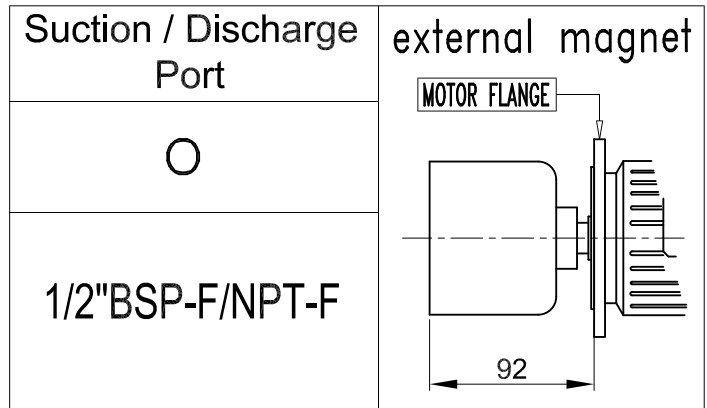
ITEM: Pump model: VB IN LINE

DIMENSIONS

A	B	C	D	E	F	G	H	I	L	M
193	95	141	96	160	186	90	71	7	112	65

- This drawing is for reference only
 - Pump may be supplied without motor
 - All dimensions are in millimeters

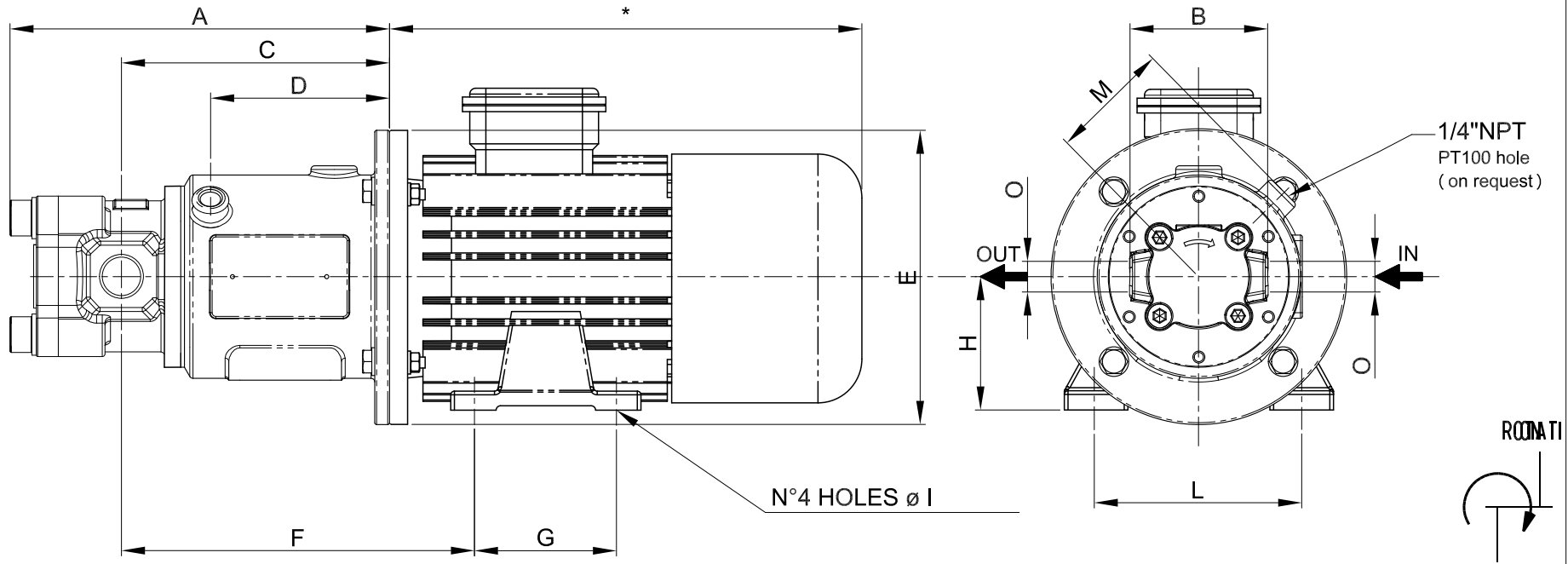
* Depend on the manufacturer



Motor: IEC Gr71 B3/B5
 Port connection: Threaded
 Standard: BSP-F UNI ISO 228/1 | NPT-F USAS B2-1/1968

OUTLINE DRAWING

CODE: D 10055 Rev.:00



ITEM: Pump model: VB IN LINE

DIMENSIONS

A	B	C	D	E	F	G	H	I	L	M
203	95	151	106	200	201	100	80	10	125	65

- This drawing is for reference only
- Pump may be supplied without motor
- All dimensions are in millimeters

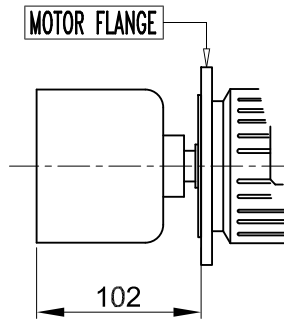
* Depend on the manufacturer

Suction / Discharge Port



1/2" BSP-F/NPT-F

external magnet



Motor: IEC Gr80 B3/B5
 Port connection: Threaded
 Standard: BSP-F UNI ISO 228/1 | NPT-F USAS B2-1/1968