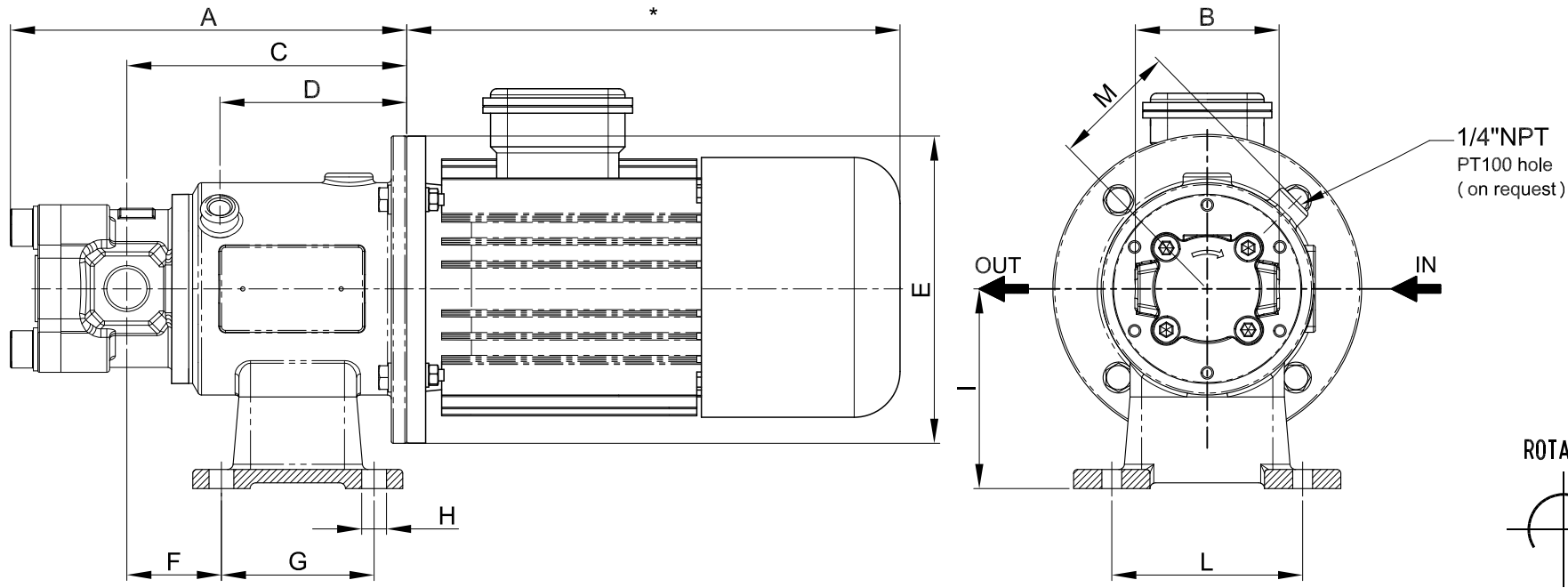


OUTLINE DRAWING

CODE: D 11203 Rev.:00



ITEM: Pump model: VA IN LINE

DIMENSIONS

| A | B | C | D | E | F | G | H | I | L | M |
|-----|----|-----|----|-----|----|----|----|-----|-----|----|
| 177 | 74 | 136 | 96 | 160 | 40 | 80 | 13 | 104 | 100 | 65 |

- This drawing is for reference only
- Pump may be supplied without motor
- All dimensions are in millimeters

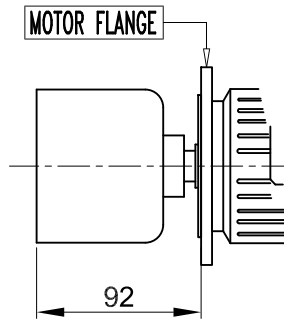
* Depend on the manufacturer

Suction / Discharge Port



3/8"BSP-F/NPT-F

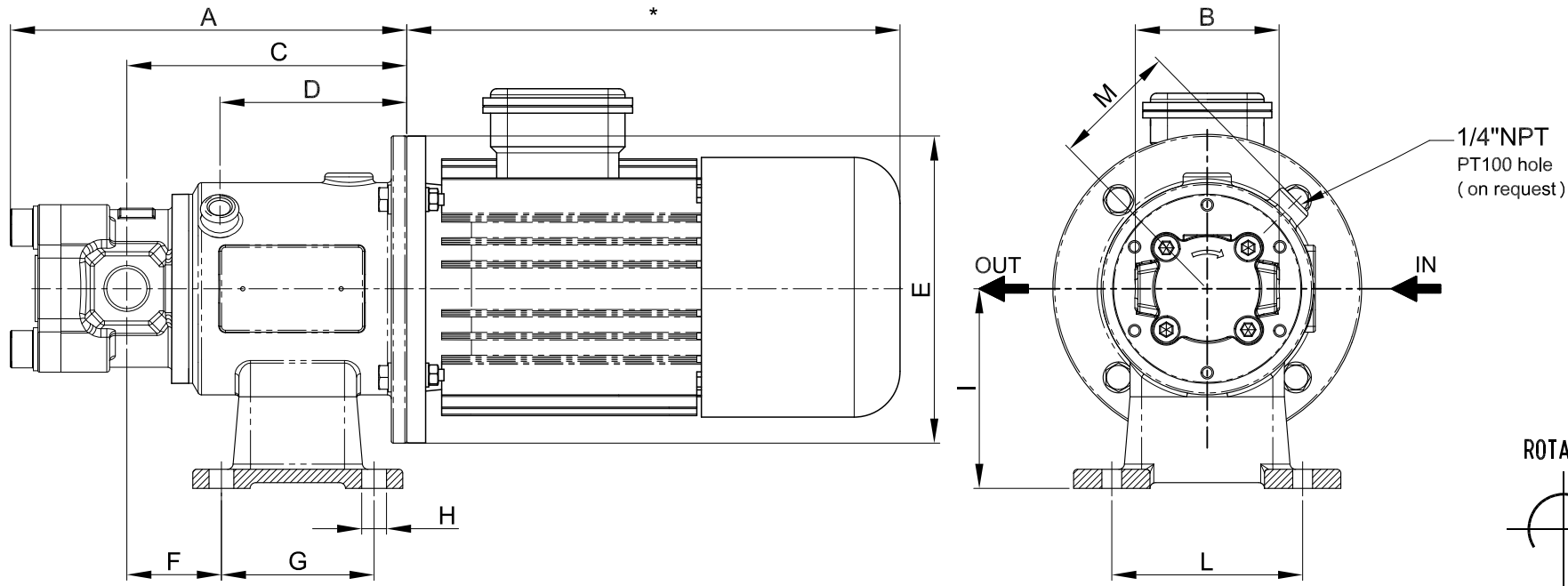
external magnet



Motor: IEC Gr71 B5
 Port connection: Threaded
 Standard: BSP-F UNI ISO 228/1 | NPT-F USAS B2-1/1968

OUTLINE DRAWING

CODE: D 11204 Rev.:00



ITEM: Pump model: VA IN LINE

DIMENSIONS

| A | B | C | D | E | F | G | H | I | L | M |
|-----|----|-----|-----|-----|----|----|----|-----|-----|----|
| 187 | 74 | 146 | 106 | 200 | 45 | 80 | 13 | 104 | 100 | 65 |

- This drawing is for reference only
- Pump may be supplied without motor
- All dimensions are in millimeters

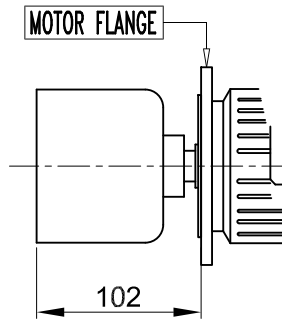
* Depend on the manufacturer

Suction / Discharge Port



3/8" BPS-F/NPT-F

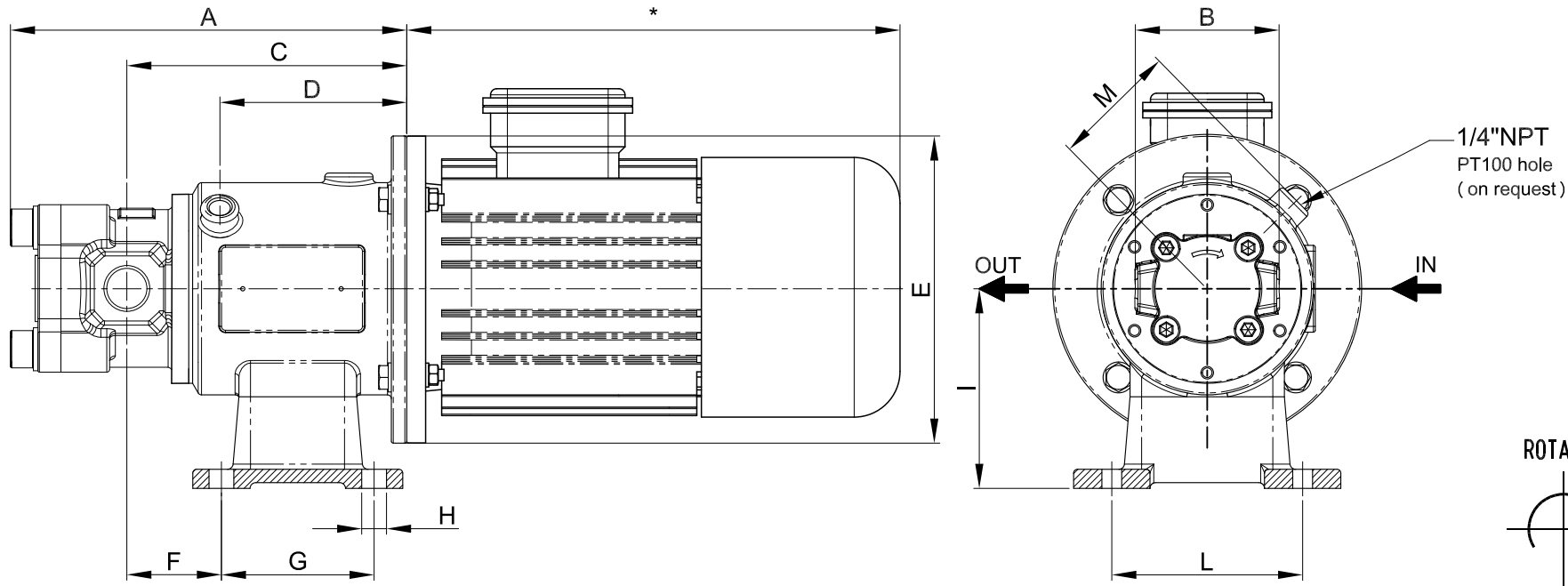
external magnet



Motor: IEC Gr80 B5
 Port connection: Threaded
 Standard: BSP-F UNI ISO 228/1 | NPT-F USAS B2-1/1968

OUTLINE DRAWING

CODE: D 11205 Rev.:00



ITEM: Pump model: VB IN LINE

DIMENSIONS

| A | B | C | D | E | F | G | H | I | L | M |
|-----|----|-----|----|-----|----|----|----|-----|-----|----|
| 193 | 95 | 141 | 96 | 160 | 45 | 80 | 13 | 104 | 100 | 65 |

- This drawing is for reference only
- Pump may be supplied without motor
- All dimensions are in millimeters

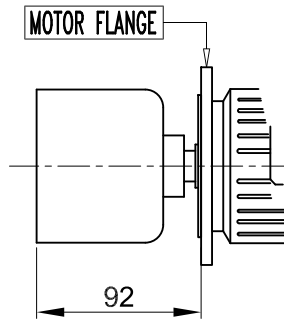
* Depend on the manufacturer

Suction / Discharge Port



1/2" BSP-F/NPT-F

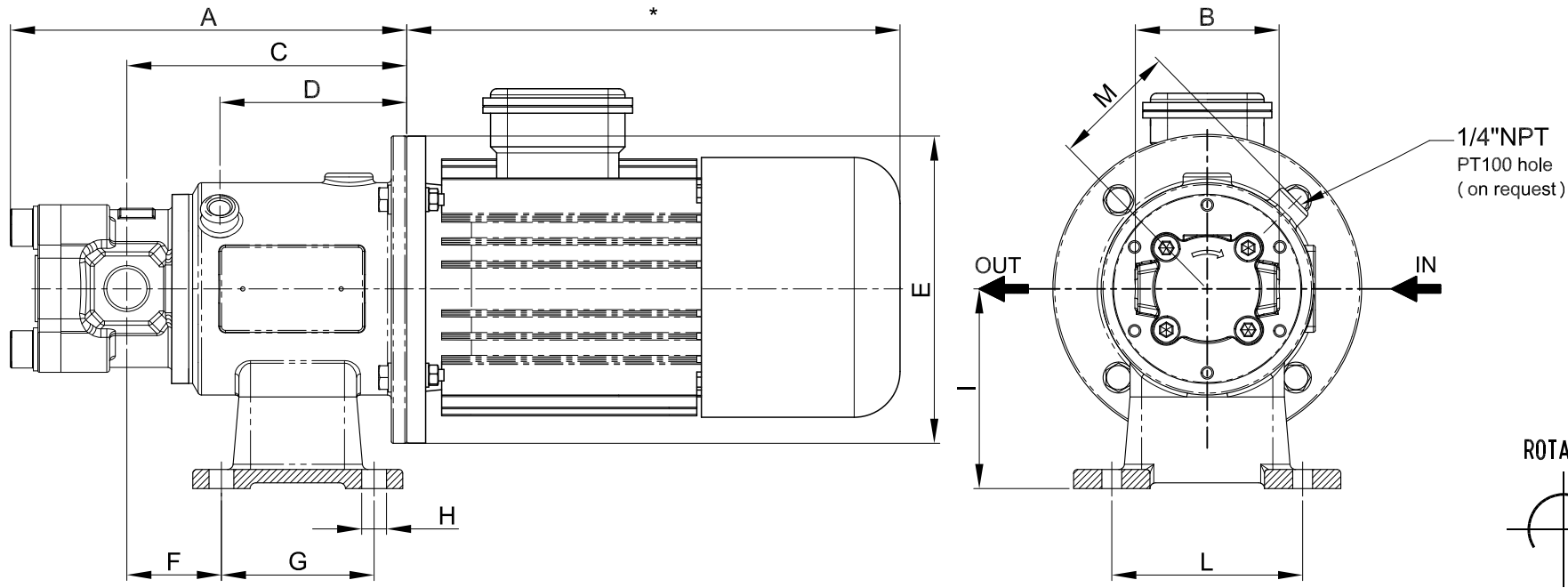
external magnet



Motor: IEC Gr71 B5
 Port connection: Threaded
 Standard: BSP-F UNI ISO 228/1 | NPT-F USAS B2-1/1968

OUTLINE DRAWING

CODE: D 11206 Rev.:00



ITEM: Pump model: VB IN LINE

DIMENSIONS

| A | B | C | D | E | F | G | H | I | L | M |
|-----|----|-----|-----|-----|----|----|----|-----|-----|----|
| 203 | 95 | 151 | 106 | 200 | 50 | 80 | 13 | 104 | 100 | 65 |

- This drawing is for reference only
- Pump may be supplied without motor
- All dimensions are in millimeters

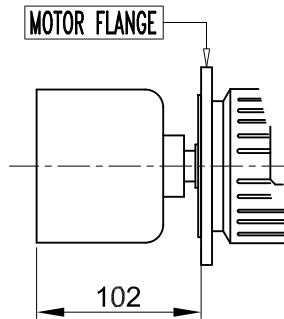
* Depend on the manufacturer

Suction / Discharge Port



1/2" BSP-F/NPT-F

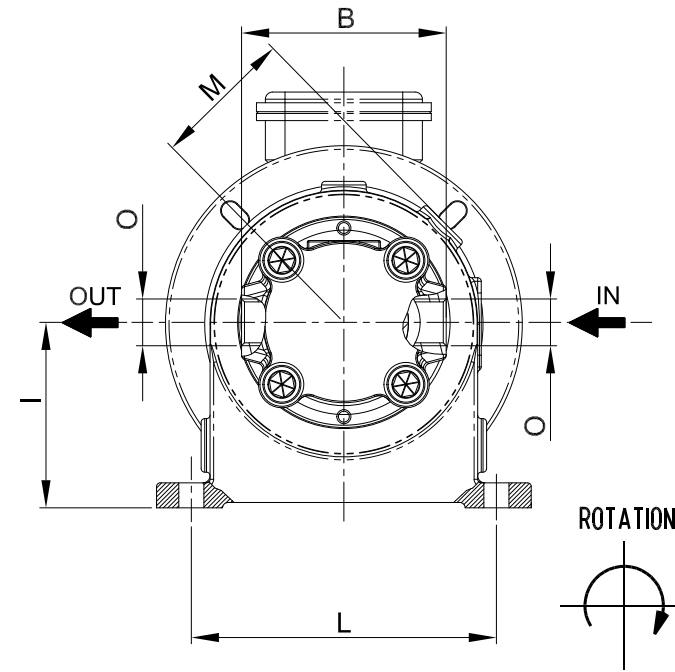
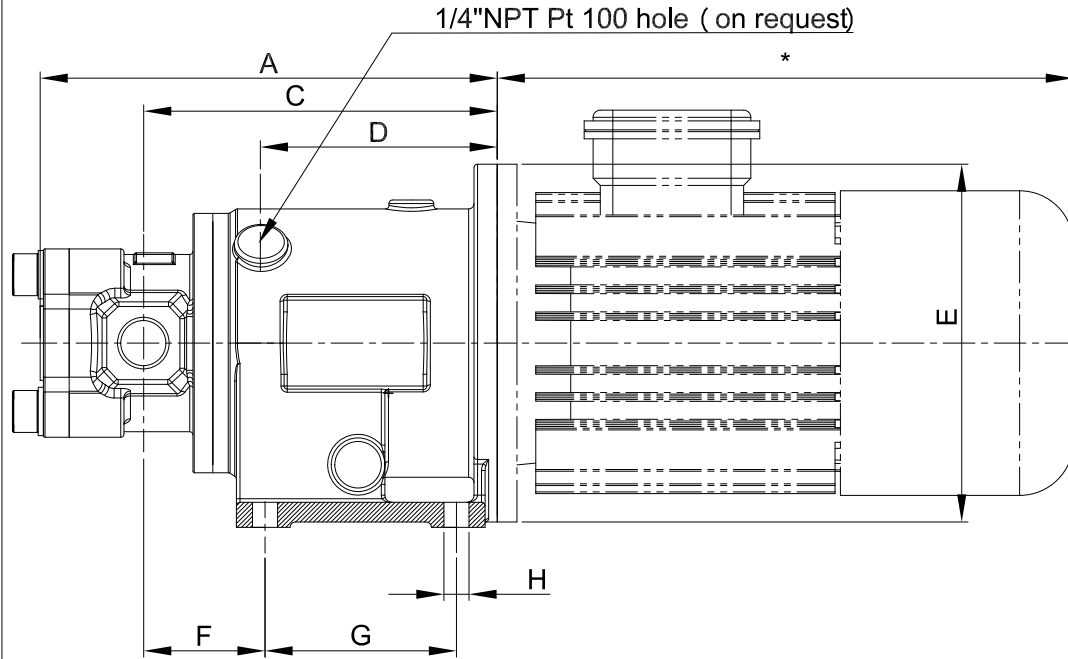
external magnet



Motor: IEC Gr80 B5
 Port connection: Threaded
 Standard: BSP-F UNI ISO 228/1 | NPT-F USAS B2-1/1968

OUTLINE DRAWING

CODE: D 10057 Rev.:00



DIMENSIONS

| A | B | C | D | E | F | G | H | I | L | M |
|-----|-----|-------|-----|-----|------|-----|----|-----|-----|----|
| 259 | 123 | 206.7 | 132 | 200 | 75.9 | 109 | 11 | 103 | 180 | 80 |

- This drawing is for reference only

- Pump may be supplied without motor

- All dimensions are in millimeters

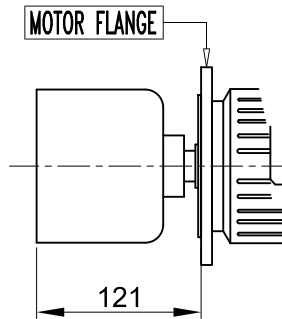
* Depend on the manufacturer

Suction / Discharge Port



3/4" BSP-F/NPT-F

external magnet



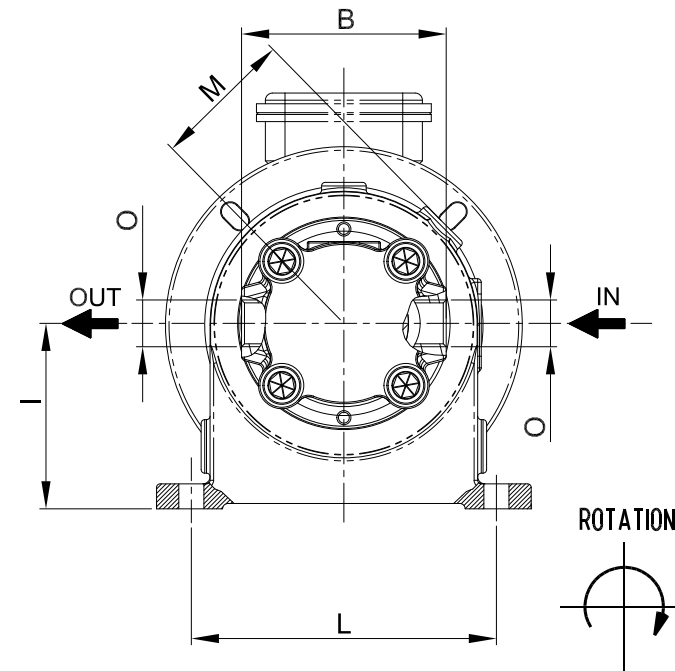
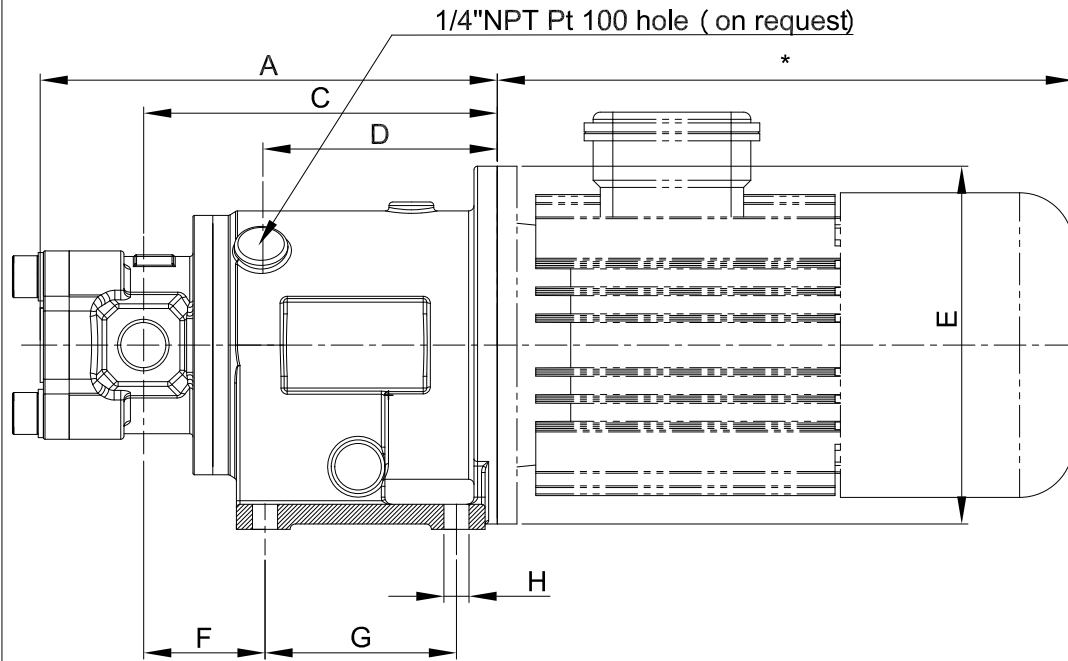
ITEM: Pump model: VM IN LINE

Motor: IEC Gr90 B5
Port connection: Threaded

Standard: BSP-F UNI ISO 228/1 | NPT-F USAS B2-1/1968

OUTLINE DRAWING

CODE: D 10415 Rev.:00



DIMENSIONS

| A | B | C | D | E | F | G | H | I | L | M |
|-----|-----|-------|-----|-----|------|-----|----|-----|-----|----|
| 264 | 123 | 221.5 | 142 | 250 | 80.7 | 109 | 11 | 130 | 180 | 80 |

- This drawing is for reference only

- Pump may be supplied without motor

- All dimensions are in millimeters

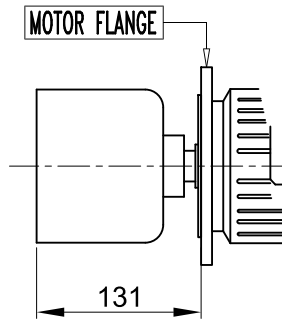
* Depend on the manufacturer

Suction / Discharge Port



3/4" BSP-F/NPT-F

external magnet



ITEM: Pump model: VM IN LINE

Motor: IEC Gr100-112 B5
 Port connection: Threaded
 Standard: BSP-F UNI ISO 228/1 | NPT-F USAS B2-1/1968