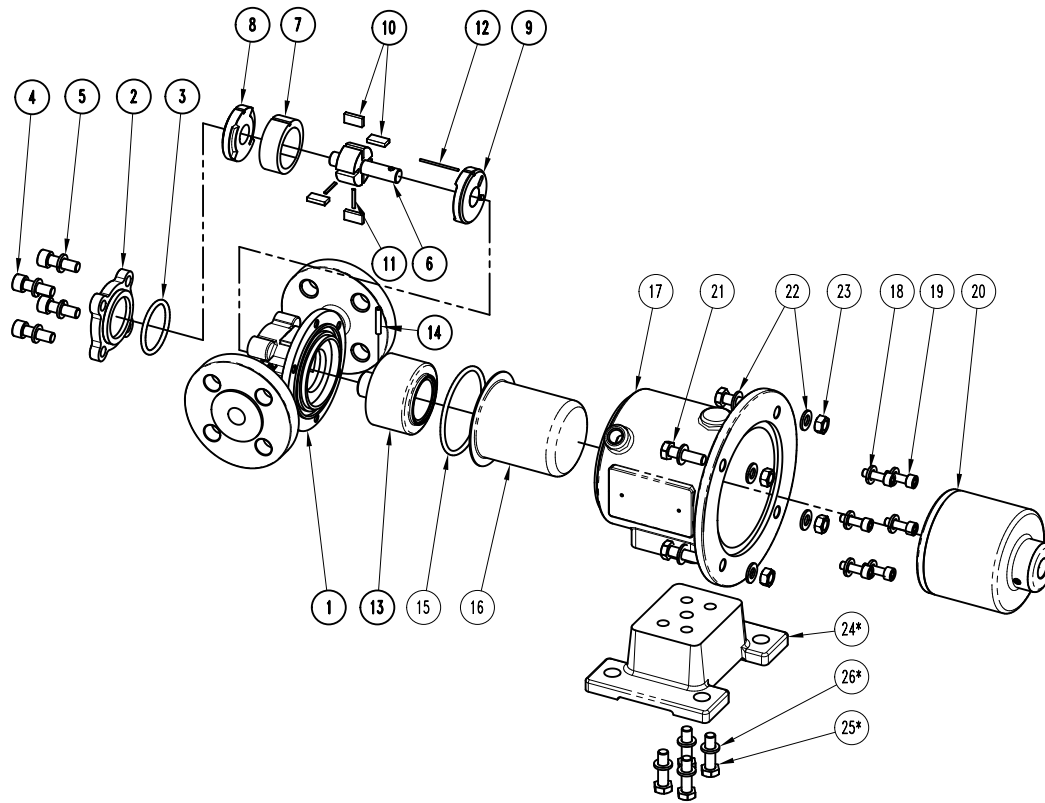


EXPLODED VIEW

CODE: E10205 Rev.:01



*: Only for B3/B5 motor version

PART LIST

ITEM N°	CODE	Description	Material	Q.ty
1	56210VALAD	Pump casing DIN PN.25	CF8M	1
	56210VALAA	Pump casing ANSI 150#		
	56210VALAB	Pump casing ANSI 300#		
2	55520VAA	Pump casing cover	CF8M	1
3	92910V3769	O-Ring 4150/BS222	Viton	1
4	91610TCEI820A2	Screw UNI5931 M8x20	A2-70	4
5	91630S0814A2	Washer UNI1751 D.8x14	A2-70	4
6	501600VAAA	Rotor	AISI 316	1
7	92410FVA05	Stator VA 50 L/h	Graphite	1
	92410FVA01	Stator VA 100 L/h		
	92410FVA02	Stator VA 200 L/h		
	92410FVA03	Stator VA 300 L/h		
	92410FVA04	Stator VA 400 L/h		
8	91110FVAA	Front disc	Graphite	1
9	91110FVAP	Rear disc	Graphite	1
10	92010FVA	Vane	Graphite	4
11	916500100A2	Pins L100	AISI 316	2
	916500200A2	Pins L200		
	916500300A2	Pins L300/400		
12	91650VAA2N	Guide pins	AISI 316	1
13	55820VANA	Internal magnet	AISI316/NdFeB	1
14	51650VAA	Lock pins	AISI 316	1
15	92910V6627	O-Ring 4262/BS231	Viton	1
16	9080A11007	Rear casing	AISI 316	1
17	56110VAVB06C	Bracket	WCB	1
18	91630S0611A2	Washer UNI1751 D.6x11	A2-70	6
19	91610TCEI620A2	Screw UNI5931 M6x20	A2-70	6
20	55810VA06N	External magnet	A105/NdFeB	1
21	91610TE630A2	Screw UNI24017 M6x30	A2-70	4
22	91630N0612A2	Washer UNI6592 D.6x12	A2-70	8
23	91620N06A2	Nut UNI 5588 M6	A2-70	4
24*	95910VAC	Foot	WCB	1
25*	91610TE814A2	Screw UNI24017 M8x14	A2-70	4
26*	91630S0814A2	Washer UNI1751 D.8x14	A2-70	4

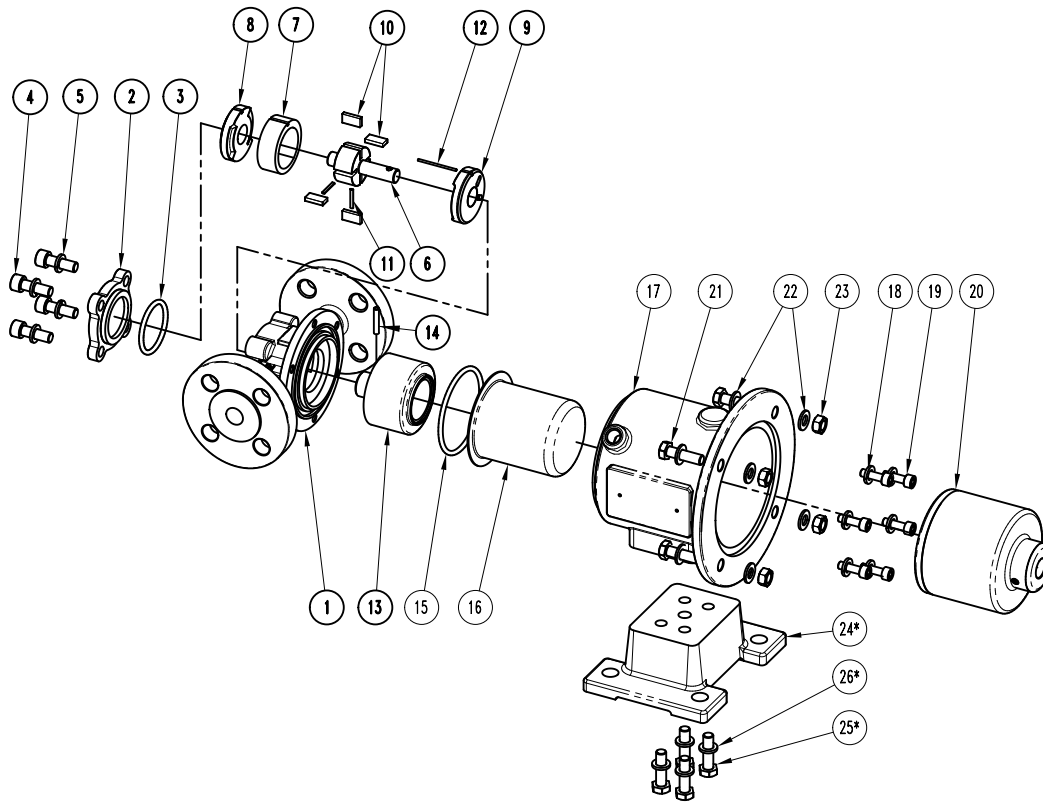
Std version
ITEM:
Pump model: VA IN LINE

Motor: IEC Gr 71
Port connection: Flanged

- This drawing is for reference only

EXPLODED VIEW

CODE: E10206 Rev.:01



*: Only for B3/B5 motor version

PART LIST

ITEM N°	CODE	Description	Material	Q.ty
1	56210VALAD	Pump casing DIN PN.25	CF8M	1
	56210VALAA	Pump casing ANSI 150#		
	56210VALAB	Pump casing ANSI 300#		
2	55520VAA	Pump casing cover	CF8M	1
3	92910V3769	O-Ring 4150/BS222	Viton	1
4	91610TCEI820A2	Screw UNI5931 M8x20	A2-70	4
5	91630S0814A2	Washer UNI1751 D.8x14	A2-70	4
6	501600VAA	Rotor	AISI 316	1
7	92410FVA05	Stator VA 50 L/h	Graphite	1
	92410FVA01	Stator VA 100 L/h		
	92410FVA02	Stator VA 200 L/h		
	92410FVA03	Stator VA 300 L/h		
	92410FVA04	Stator VA 400 L/h		
8	91110FVAA	Front disc	Graphite	1
9	91110FVAP	Rear disc	Graphite	1
10	92010FVA	Vane	Graphite	4
11	916500100A2	Pins L100	AISI 316	2
	916500200A2	Pins L200		
	916500300A2	Pins L300/400		
12	91650VAA2N	Guide pins	AISI 316	1
13	55820VANA	Internal magnet	AISI316/NdFeB	1
14	51650VAA	Lock pins	AISI 316	1
15	92910V6627	O-Ring 4262/BS231	Viton	1
16	9080A11007	Rear casing	AISI 316	1
17	56110VAVB08C	Bracket	WCB	1
18	91630S0611A2	Washer UNI1751 D.6x11	A2-70	6
19	91610TCEI620A2	Screw UNI5931 M6x20	A2-70	6
20	55810VA08N	External magnet	A105/NdFeB	1
21	91610TE630A2	Screw UNI24017 M6x30	A2-70	4
22	91630N0612A2	Washer UNI6592 D.6x12	A2-70	8
23	91620N06A2	Nut UNI 5588 M6	A2-70	4
24*	95910VAC	Foot	WCB	1
25*	91610TE814A2	Screw UNI24017 M8x14	A2-70	4
26*	91630S0814A2	Washer UNI1751 D.8x14	A2-70	4

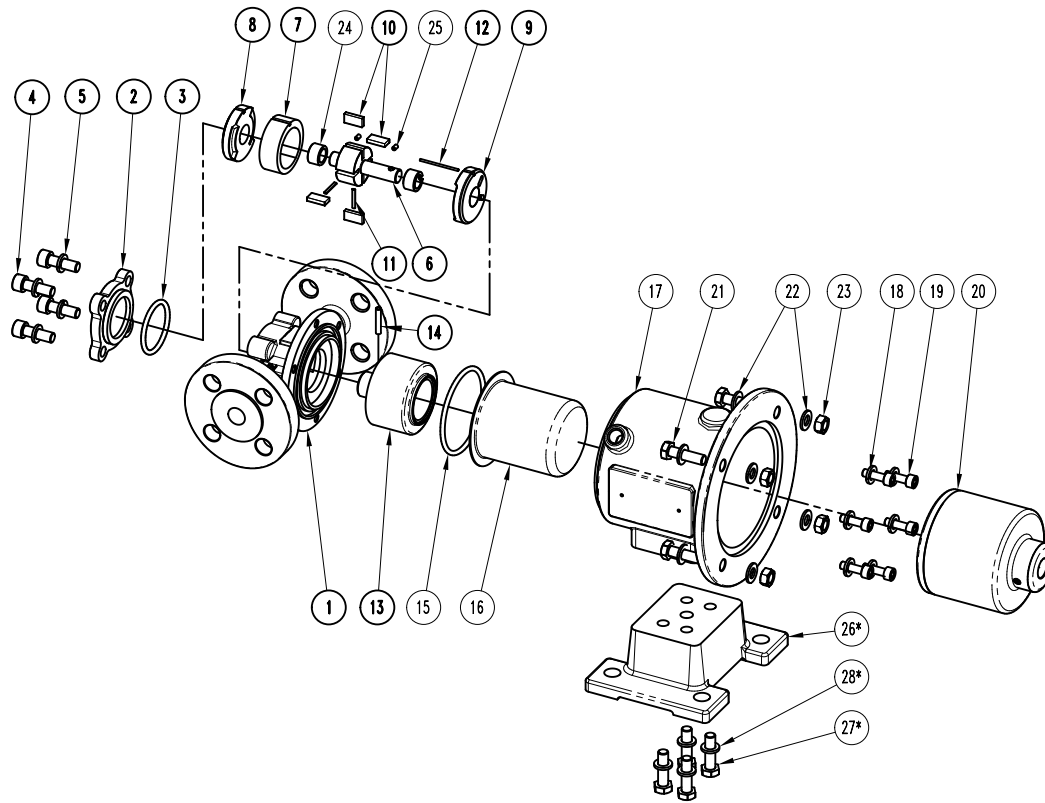
1 Sic version
ITEM:
Pump model: VA IN LINE

Motor: IEC Gr 80
Port connection: Flanged

- This drawing is for reference only

EXPLODED VIEW

CODE: E10213 Rev.:01



*: Only for B3/B5 motor version

PART LIST

ITEM N°	CODE	Description	Material	Q.ty
1	56210VALAD	Pump casing DIN PN.25	CF8M	1
	56210VALAA	Pump casing ANSI 150#		
	56210VALAB	Pump casing ANSI 300#		
2	55520VAA	Pump casing cover	CF8M	1
3	92910V3769	O-Ring 4150/BS222	Viton	1
4	91610TCEI820A2	Screw UNI5931 M8x20	A2-70	4
5	91630S0814A2	Washer UNI1751 D.8x14	A2-70	4
6	501600VASA	Rotor	AISI 316	1
7	52410RVA01	Stator VA 100 L/h	Metcar 312	1
	52410RVA02	Stator VA 200 L/h		
	52410RVA03	Stator VA 300 L/h		
	52410RVA04	Stator VA 400 L/h		
8	91110RVAAS	Front disc	Metcar 312	1
9	91110RVAPS	Rear disc	Metcar 312	1
10	92010RVA	Vane	Metcar 312	4
11	916500100A2	Pins L100	AISI 316	2
	916500200A2	Pins L200		
	916500300A2	Pins L300/400		
12	91650VAA2N	Guide pins	AISI 316	1
13	55820VANA	Internal magnet	AISI316/NdFeB	1
14	51650VAA	Lock pins	AISI 316	1
15	92910V6627	O-Ring 4262/BS231	Viton	1
16	9080A11007	Rear casing	AISI 316	1
17	56110VAVB06C	Bracket	WCB	1
18	91630S0611A2	Washer UNI1751 D.6x11	A2-70	6
19	91610TCEI620A2	Screw UNI5931 M6x20	A2-70	6
20	55810VA06N	External magnet	A105/NdFeB	1
21	91610TE630A2	Screw UNI24017 M6x30	A2-70	4
22	91630N0612A2	Washer UNI6592 D.6x12	A2-70	8
23	91620N06A2	Nut UNI 5588 M6	A2-70	4
24	90230S016095	Sleeve rotor	SiC	2
25	916700308A4	Socket screw UNI5927 M3x8	A4-70	2
26*	95910VAC	Foot	WCB	1
27*	91610TE814A2	Screw UNI24017 M8x14	A2-70	4
28*	91630S0814A2	Washer UNI1751 D.8x14	A2-70	4

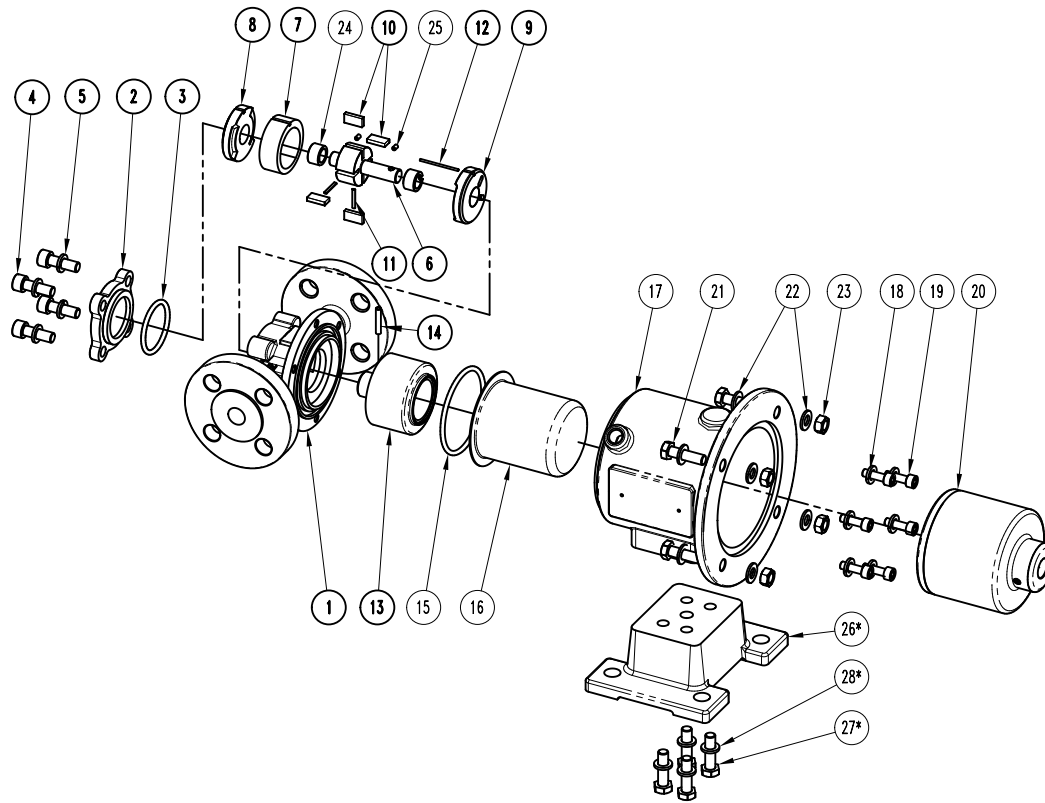
ITEM: 1 Sic version
 Pump model: VA IN LINE

Motor: IEC Gr 71
 Port connection: Flanged

- This drawing is for reference only

EXPLODED VIEW

CODE: E10214 Rev.:01



PART LIST

ITEM N°	CODE	Description	Material	Q.ty
1	56210VALAD	Pump casing DIN PN.25	CF8M	1
	56210VALAA	Pump casing ANSI 150#		
	56210VALAB	Pump casing ANSI 300#		
2	55520VAA	Pump casing cover	CF8M	1
3	92910V3769	O-Ring 4150/BS222	Viton	1
4	91610TCEI820A2	Screw UNI5931 M8x20	A2-70	4
5	91630S0814A2	Washer UNI1751 D.8x14	A2-70	4
6	501600VASA	Rotor	AISI 316	1
7	52410RVA01	Stator VA 100 L/h	Metcar 312	1
	52410RVA02	Stator VA 200 L/h		
	52410RVA03	Stator VA 300 L/h		
	52410RVA04	Stator VA 400 L/h		
8	91110RVAAS	Front disc	Metcar 312	1
9	91110RVAPS	Rear disc	Metcar 312	1
10	92010RVA	Vane	Metcar 312	4
11	916500100A2	Pins L100	AISI 316	2
	916500200A2	Pins L200		
	916500300A2	Pins L300/400		
12	91650VAA2N	Guide pins	AISI 316	1
13	55820VANA	Internal magnet	AISI316/NdFeB	1
14	51650VAA	Lock pins	AISI 316	1
15	92910V6627	O-Ring 4262/BS231	Viton	1
16	9080A11007	Rear casing	AISI 316	1
17	56110VAVB08C	Bracket	WCB	1
18	91630S0611A2	Washer UNI1751 D.6x11	A2-70	6
19	91610TCEI620A2	Screw UNI5931 M6x20	A2-70	6
20	55810VA08N	External magnet	A105/NdFeB	1
21	91610TE630A2	Screw UNI24017 M6x30	A2-70	4
22	91630N0612A2	Washer UNI6592 D.6x12	A2-70	8
23	91620N06A2	Nut UNI 5588 M6	A2-70	4
24	90230S016095	Sleeve rotor	SiC	2
25	916700308A4	Socket screw UNI5927 M3x8	A4-70	2
26*	95910VAC	Foot	WCB	1
27*	91610TE814A2	Screw UNI24017 M8x14	A2-70	4
28*	91630S0814A2	Washer UNI1751 D.8x14	A2-70	4

*: Only for B3/B5 motor version

ITEM: Pump model: VA IN LINE
1 SiC version

Motor: IEC Gr 80
Port connection: Flanged

- This drawing is for reference only