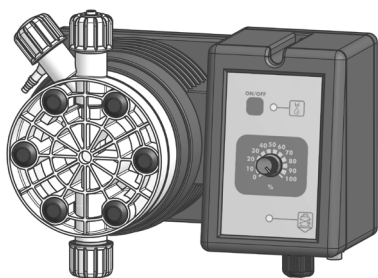


"T" series Metering Pumps

Data Sheet

"TA Self Venting"

Configuration code



Power supply: 230 VAC (190÷265 VAC)
 Power supply: 115 VAC (90÷135 VAC)
 Power supply: 24 VAC (20÷32 VAC)
 Power supply: 12 VDC (10÷16 VDC)

MODELS			
Code T	Cod. TA	MOD.	DESCRIPTION
CO	OA	"CO"	Constant pump with stroke speed (frequency) adjustment and stroke length adjustment.
CL	TA	"CL"	Constant pump with level control, stroke speed (frequency) adjustment and stroke length adjustment.

CAPACITIES					
T Models			Delivey hose (PVDF)	Suction hose	Pump head mod.
2005	5 l/h at 20 bar	1,32 GPH at 290 PSI	4 x 6	4 x 6	L
0515	15 l/h at 5 bar	3,96 GPH at 73 PSI	6 x 8	6 x 8	N
0420	20 l/h at 4 bar	5,28 GPH at 58 PSI	6 x 8	6 x 8	N
0330	30 l/h at 3 bar	1,32 GPH at 43 PSI	8 x 10	8 x 12	S
0150	50 l/h at 1 bar	1,32 GPH at 15 PSI	8 x 10	8 x 12	S
00100	100 l/h at 0 bar	2,64 GPH at 0 PSI	12 x 18 PVC reinforced	12 x 18 PVC reinforced	T
TA Models			Delivey hose (PVDF)	Suction hose	Pump head mod.
203,2	3,2 l/h at 20 bar	0,85 GPH at 290 PSI	4 x 6	4 x 6	LA
0510	10 l/h at 5 bar	2,64 GPH at 73 PSI	6 x 8	6 x 8	NA
0413	13 l/h at 4 bar	3,43 GPH at 58 PSI	6 x 8	6 x 8	NA

POWER SUPPLY	
00	230 VAC Schuko plug
05	230 VAC australian plug
01	230 VAC without plug
03	115 VAC US plug
04	24 VAC without plug
05	12 VDC *
07	24 VDC
* On some models only.	

Model **T** **CO** **2005** **K** **00** **00**

LIQUID ENDS								
	HEAD	ORINGS	VALVE		DIAPHRAGM	HOSES		VISCOSITY Max CPS
			Body	Balls		Delivery	Suction	
K	PVDF	Viton ®	PVDF	Ceramic	PTFE	PVDF	PVC	100
P	PVDF	EPDM	PVDF	Ceramic	PTFE	PVDF	PVC	100
W	PVDF	Nytrile	PVDF	Ceramic	PTFE	PVDF	PVC	100
T	PVDF	Viton ® + PTFE	PVDF	Ceramic	PTFE	PVDF	PVC	100
S	PVDF	Silicone	PVDF	Ceramic	PTFE	PVDF	PVC	100
A	Acrylic	Viton ®	Polypropylene	Ceramic	PTFE	PVDF	PVC	100
Z	SS	Viton ®	SS	SS	PTFE	N/A	N/A	100
\$	Acrylic	Viton ®	Polypropylene	SS + Hastelloy spring	PTFE	Polyethylen	PVC	8000 *

Viton ® is a registered trademark DuPont Dow Elastomers.

* Using high viscosity pump head mod. \$, pump output may results lower in some applications.

"T" series Metering Pumps

Data Sheet

"TA Self Venting"

INFORMATION						
T	Strokes speed		Power consumption at max flow (230 VAC)	Power consumption at max flow (115 VAC)	Power consumption at max flow (24 VAC/VDC)	Weight
	min	max				
2005	12	120	27 Watt	21 Watt	n/a	5,7 Kg (12,6 Lbs)
0515	12	120	27 Watt	15 Watt	14 Watt	
0420	12	120	27 Watt	21 Watt	n/a	
0330	12	120	27 Watt	21 Watt	n/a	
0150	12	120	27 Watt	21 Watt	n/a	
00100	12	120	27 Watt	21 Watt	n/a	
TA	Strokes speed		Power consumption at max flow (230 VAC)	Power consumption at max flow (115 VAC)	Power consumption at max flow (24 VAC/VDC)	Weight
	min	max				
203,2	12	120	27 Watt	21 Watt	n/a	5,7 Kg (12,6 Lbs)
0510	12	120	27 Watt	15 Watt	14 Watt	
0413	12	120	27 Watt	21 Watt	n/a	

MORE INFORMATION							
T	Flow				cc per Stroke	Max injection pressure	
	min cc/h	max l/h	Min GPH	Max GPH		Max	bar
	2005	500	5	0,13	1,32		
0515	1500	15	0,39	3,96	2,1	5	73
0420	2000	20	0,52	5,28	2,8	4	58
0330	3000	30	0,79	7,93	4,2	3	43
0150	5000	50	1,32	13,2	7	1	15
00100	10000	100	2,64	26,4	14	0	0
TA	Flow				cc per Stroke	Max injection pressure	
	min cc/h	max l/h	Min GPH	Max GPH		Max	bar
	203,2	96	3,2	0,025	0,85		
0510	300	10	0,079	2,64	1,39	5	73
0413	390	13	0,103	3,43	1,80	4	58

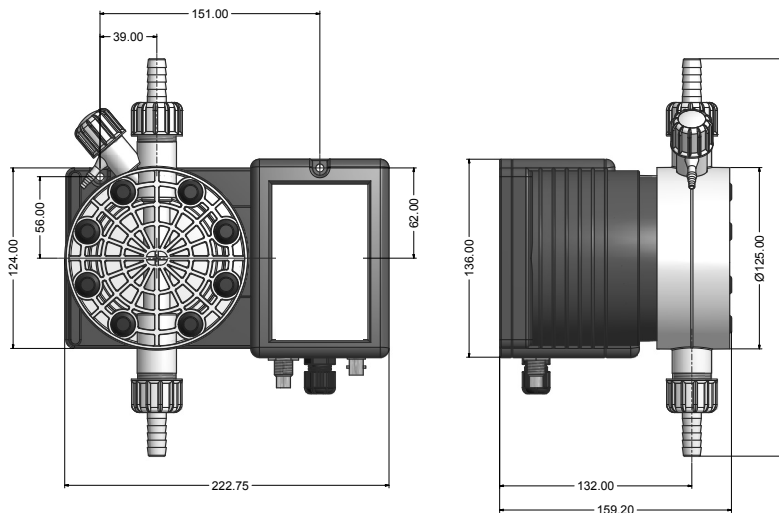
IP65 enclosure (NEMA4x)

T metering pumps are manufactured in moulded glass filled and Polypropylene housing to ensure protection against aggressive chemicals and tough environment.

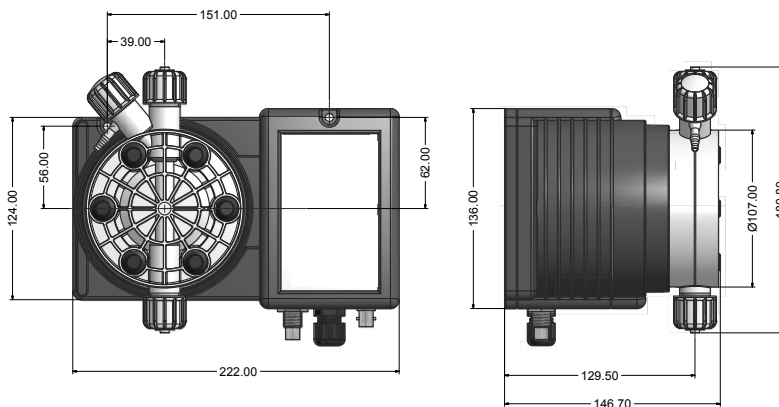
ENVIRONMENT:

-10°C - +45°C (14°F - 113°F)

"S" - "T" PUMP HEAD



"N" - "P" PUMP HEAD



Measurement unit: mm

EMEC

ISO 9001:2008
ISO 14001:2004
OHSAS 18001:2007



Via Donatori di sangue, 1 - 02100 Vazia (RI) - Italy
Tel. +39 0746 2284 1 - Tel. +39 0746 1725114 - Fax +39 0746 2284 2 - <http://www.emec.it>

Specifications subject to change without notice.
ENG R1-06-10