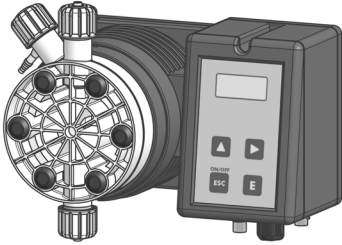


# "TMS DIGITAL" series Metering Pumps

# Data Sheet

"TMSA Self Venting"

## Configuration code



Power supply: 230 VAC (190÷265 VAC)  
 Power supply: 115 VAC (90÷135 VAC)  
 Power supply: 24 VAC (20÷32 VAC)  
 Power supply: 12 VDC (10÷16 VDC)



MODELS			
TMS Code	TMSA Code	MOD.	DESCRIPTION
MF	MA	MF	Digital multifunction pump (Constant, Divide, Multiply, PPM, Batch, Volt, mA, %, ml/g) , stand-by and flow sensor input, alarm output and level control. Recovery fault mode, work-pause mode and upkeep mode.
DC	AD	DC	Digital constant pump, stand-by input and alarm output and level control.
PH	AH	PH	Proportional pump driven by internal built-in pH meter (0-14 pH) and level control, supplied without pH probe.
RH	AR	RH	Proportional pump driven by internal built-in ORP meter (0-1000 mV) and level control, supplied without ORP probe.

CAPACITIES					
TMS Models			Delivey hose (PVDF)	Suction hose	Pump head mod.
2005	5 l/h at 20 bar	1,32 GPH at 290 PSI	4 x 6	4 x 6	L
0515	15 l/h at 5 bar	3,96 GPH at 73 PSI	6 x 8	6 x 8	N
0420	20 l/h at 4 bar	5,28 GPH at 58 PSI	6 x 8	6 x 8	N
0330	30 l/h at 3 bar	1,32 GPH at 43 PSI	8 x 10	8 x 12	S
0150	50 l/h at 1 bar	1,32 TPH at 15 PSI	8 x 10	8 x 12	S
00100	100 l/h at 0 bar	2,64 GPH at 0 PSI	12 x 18 PVC reinforced	12 x 18 PVC reinforced	T
TMSA Models			Delivey hose (PVDF)	Suction hose	Pump head mod.
203,2	3,2 l/h at 20 bar	0,85 GPH at 290 PSI	4 x 6	4 x 6	LA
0510	10 l/h at 5 bar	2,64 GPH at 73 PSI	6 x 8	6 x 8	NA
0413	13 l/h at 4 bar	3,43 GPH at 58 PSI	6 x 8	6 x 8	NA

Model T MF 2005 K 00 00

POWER SUPPLY	
00	230 VAC Schuko plug
05	230 VAC australian plug
01	230 VAC without plug
03	115 VAC US plug
04	24 VAC without plug
05	12 VDC *
07	24 VDC

\* On some models only.

LIQUID ENDS								
	HEAD	ORINGS	VALVE		DIAPHRAGM	HOSES		VISCOSITY Max CPS
			Body	Balls		Delivery	Suction	
K	PVDF	Viton ®	PVDF	Ceramic	PTFE	PVDF	PVC	100
P	PVDF	EPDM	PVDF	Ceramic	PTFE	PVDF	PVC	100
W	PVDF	Nytrile	PVDF	Ceramic	PTFE	PVDF	PVC	100
T	PVDF	Viton ® + PTFE	PVDF	Ceramic	PTFE	PVDF	PVC	100
S	PVDF	Silicone	PVDF	Ceramic	PTFE	PVDF	PVC	100
A	Acrylic	Viton ®	Polypropylene	Ceramic	PTFE	PVDF	PVC	100
Z	SS	Viton ®	SS	SS	PTFE	N/A	N/A	100
\$	Acrylic	Viton ®	Polypropylene	SS + Hastelloy spring	PTFE	Polyethylen	PVC	8000 *

Viton ® is a registered trademark DuPont Dow Elastomers.  
 \* Using high viscosity pump head mod. \$, pump output may results lower in some applications.

# "TMS DIGITAL" series Metering Pumps

# Data Sheet

## "TMSA Self Venting"

INFORMATION						
TMS	Strokes speed		Power consumption at max flow (230 VAC)	Power consumption at max flow (115 VAC)	Power consumption at max flow (24 VAC/VDC)	Weight
	min	max				
	imp/hour	imp/min				
2005	1	120	27 Watt	21 Watt	n/a	5,7 Kg (12,6 Lbs)
0515	1	120	27 Watt	15 Watt	14 Watt	
0420	1	120	27 Watt	21 Watt	n/a	
0330	1	120	27 Watt	21 Watt	n/a	
0150	1	120	27 Watt	21 Watt	n/a	
00100	1	120	27 Watt	21 Watt	n/a	
TMSA	Strokes speed		Power consumption at max flow (230 VAC)	Power consumption at max flow (115 VAC)	Power consumption at max flow (24 VAC/VDC)	Weight
	min	max				
	imp/hour	imp/min				
203,2	1	120	27 Watt	21 Watt	n/a	5,7 Kg (12,6 Lbs)
0510	1	120	27 Watt	15 Watt	14 Watt	
0413	1	120	27 Watt	21 Watt	n/a	

MORE INFORMATION							
TMS	Flow				cc per Stroke	Max injection pressure	
	min cc/h	max l/h	Min GPH	Max GPH		Max	bar
	2005	0,7	5	0,0001	1,32	0,7	20
0515	2,1	15	0,0005	3,96	2,1	5	73
0420	2,8	20	0,00074	5,28	2,8	4	58
0330	4,2	30	0,0011	7,93	4,2	3	43
0150	7	50	0,0018	13,2	7	1	15
00100	14	100	0,0037	26,4	14	0	0
TMSA	Flow				cc per Stroke	Max injection pressure	
	min cc/h	max l/h	Min GPH	Max GPH		Max	bar
	203,2	0,44	3,2	0,0001	0,85	0,44	20
0510	1,39	10	0,0004	2,64	1,39	5	73
0413	1,80	13	0,0005	3,43	1,80	4	58

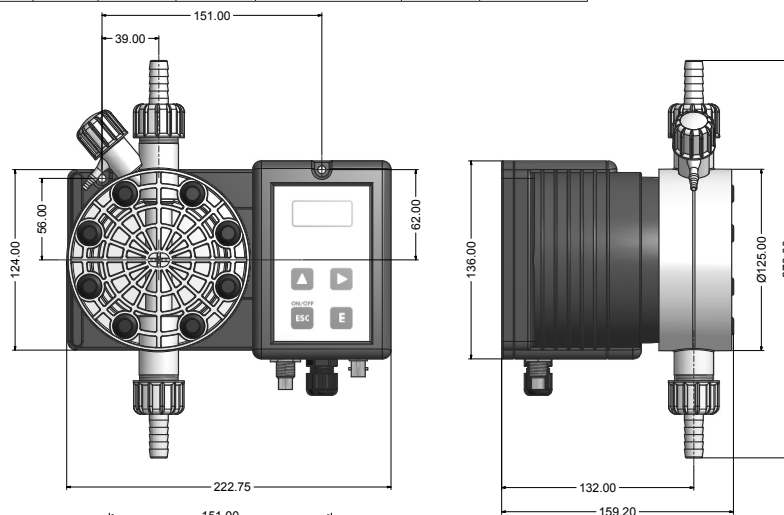
IP65 enclosure (NEMA4x)

TMS metering pumps are manufactured in moulded glass filled and Polypropylene housing to ensure protection against aggressive chemicals and tough environment.

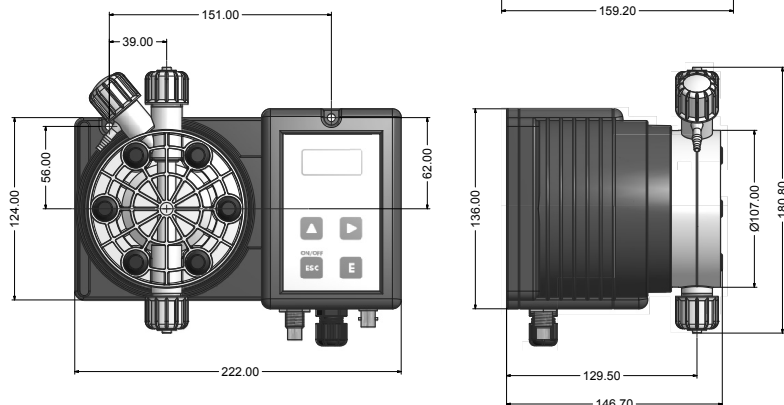
ENVIRONMENT:

-10°C - +45°C (14°F - 113°F)

"S"-"T" PUMP HEAD



"N"-"P" PUMP HEAD



Measurement unit: mm

**EMEC**

ISO 9001:2008  
ISO 14001:2004  
OHSAS 18001:2007



Via Donatori di sangue, 1 - 02100 Vazia (RI) - Italy  
Tel. +39 0746 2284 1 - Tel. +39 0746 1725114 - Fax +39 0746 2284 2 - <http://www.emec.it>

Specifications subject to change without notice.  
ENG R1-06-10