

# ACCESSORIES

---

## **Tanks with accessories**

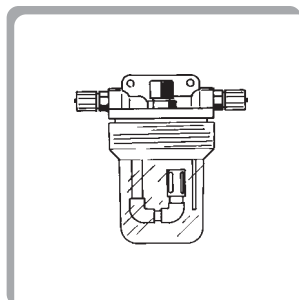
Customized fully equipped tanks. 1/2"  
PVC tap for tank available.

## **Suction-lances / Speed mixers**

Customized details.

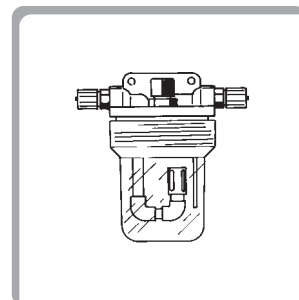
**PED**

Off-line electrode holder for EPH and ERH electrodes, epoxy Ø12. Temperature max 50° C, pressure max 5bar.



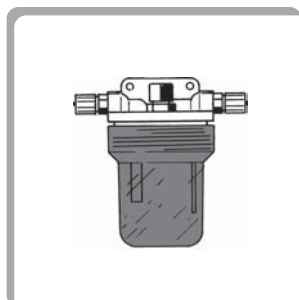
**PED1**

Off-line electrode holder for Ø12 electrodes with PG13,5 thread. Temperature max 50° C, pressure max 5bar.



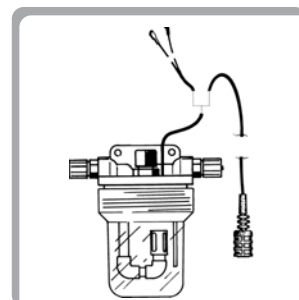
**PED3**

Off-line electrode holder for pH Ø12 and conductivity with 3/4"threading. Non transparent body. Temperature max 50° C, pressure max 5bar.



**PED4**

Off-line electrode holder for two EPH, ERH electrodes, epoxy Ø12. Temperature max 50° C, pressure max 5bar, flow sensor with N.O./N.C contact. For "EPHRHD/S" instrument.

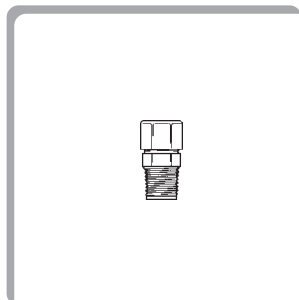


**PED4/2F**

Two wires version for instruments.

**PEA**

In-line electrode holder for pH/Redox electrodes, Ø12. 1/2" connection, max 65°C.

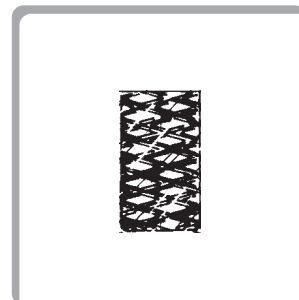


**PEB**

In-line electrode holder for pH/Redox electrodes, Ø12. 3/4" connection, max 65°C.

**CA/60**

Filter cartridge for mod. "FIL/60".

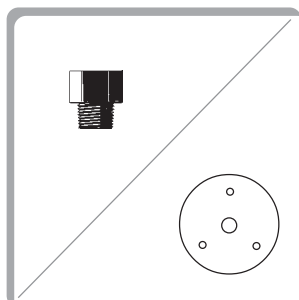


**CA/100**

Filter cartridge for mod. "FIL/100".

**PEA/SN6**

PP In-line electrode holder for electrode with PG13,5 thread (EPHSN6). 1/2" connection, max 65°C, 5bar.

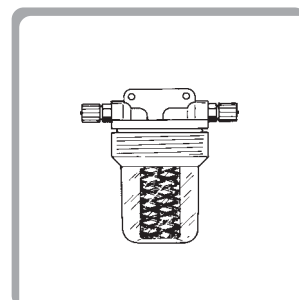


**FFP**

PEC holding flange. Max diameter Ø90, H=30. Interaxis 70, holes diameter Ø8.

**FIL/60**

5" water filter with washable cartridge made of PET (60 µ).

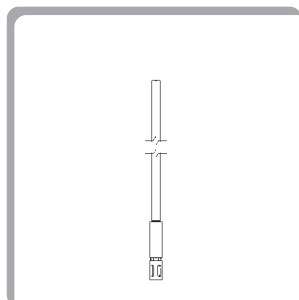


**FIL/100**

5" water filter with 100 µ cartridge made of wired PP.

**PEC**

PVC Immersion electrode holder for pH and Redox electrodes, Ø12. Length 100 cm.

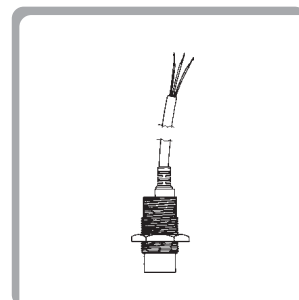


**PEC/SN6**

PVC Immersion electrode holder for pH and Redox electrodes, with PG13,5 thread. Length 100 cm.

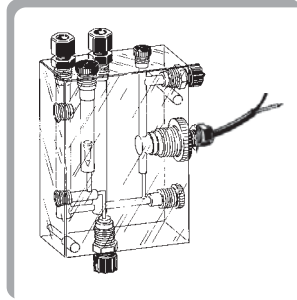
**SEPR**

Proximity switch for electrode holder (PEF/2/3/5) and amperometric cell (ECL6/7).



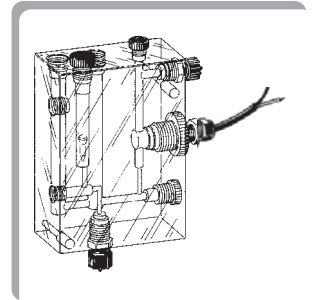
**ECL6**

Free chlorine amperometric cell (organic and inorganic), range 0 ÷ 10 mg/l. Flow level control and electrodes holder (pH, Redox and temperature). Set to host proximity switch mod. SEPR.



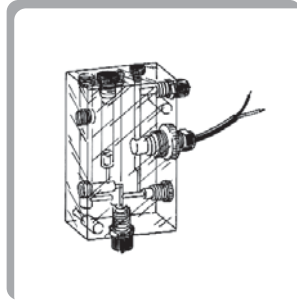
**ECL7**

Free chlorine amperometric cell (organic and inorganic), range 0 ÷ 10 mg/l. Flow level control and electrodes holder (pH, Redox and temperature). PG 13,5. Set to host proximity switch mod. SEPR.



**ECL6/E**

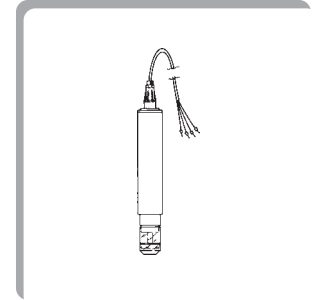
Free chlorine amperometric cell (organic and inorganic), range 0 ÷ 10 mg/l. Flow level control. Set to host proximity switch mod. SEPR.



**ECL1/X \***

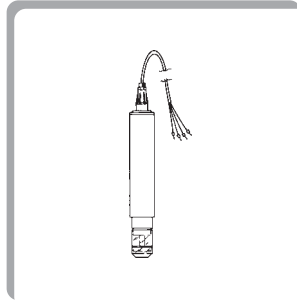
Free chlorine amperometric cell (inorganic) for sodium hypochlorite, temperature compensated. 5°C ÷ 45°C, max 1bar.

\* Ranges available: (0÷X)  
X=2mg/l, X=3mg/l, X= 5mg/l, X=10mg/l, X= 30mg/l.



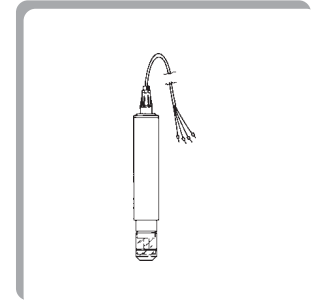
**ECL2**

Free chlorine amperometric cell for chlorine dioxide, range 0 ÷ 1 mg/l, temperature compensated. 5°C ÷ 45°C, max 1bar.



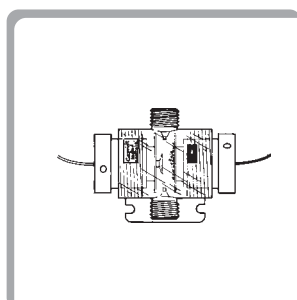
**ECL3**

Free chlorine amperometric cell (organic and inorganic) from 0 to 20 mg/l, pH and temperature compensated (5°C ÷ 45°C, max 1bar).



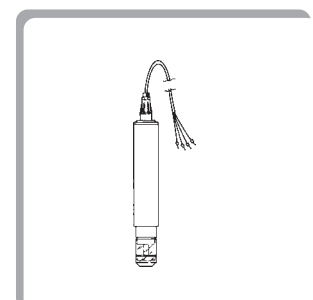
**ECL4**

Free chlorine amperometric cell (organic and inorganic) range 0 ÷ 10 mg/l. Self cleaning. 5°C ÷ 60° C, max 10bar.



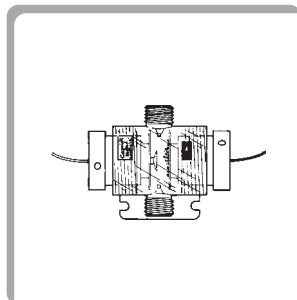
**ECL8**

Total chlorine amperometric cell (organic and inorganic) range 0 ÷ 20 mg/l, pH, temperature compensated. 5°C ÷ 45°C, max 1bar.



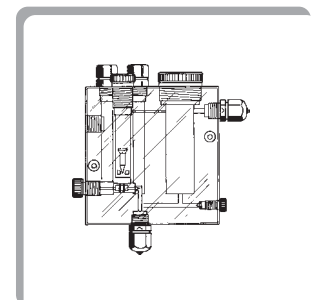
**ECL5**

Free chlorine amperometric cell (organic and inorganic) range 0 ÷ 10 mg/l, to be used with fresh and salt water. 5°C ÷ 60°C, max 10 bar. Self cleaning.



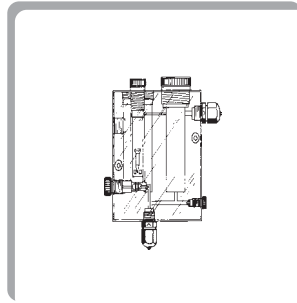
**PEF1**

Off-line electrode holder ECL1 or ECL2 or ECL3 or ECL8, pH, Redox and temperature electrodes with flow level control. Set to host proximity switch mod. SEPR.



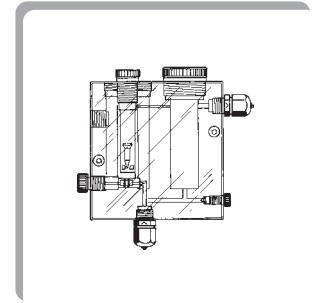
**PEF1/E**

Off-line electrode holder  
ECL1 or ECL2 or ECL3 and  
ECL8 with flow level control.  
Set to host proximity switch  
mod. SEPR.



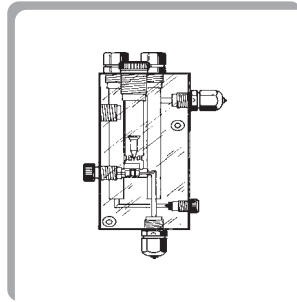
**PEF5**

Off-line electrode holder for  
ECL1, ECL2, ECL3, ECL8,  
pH, Redox (PG13,5 thread)  
and temperature electrodes  
with flow level control. Set to  
host proximity switch mod.  
SEPR.



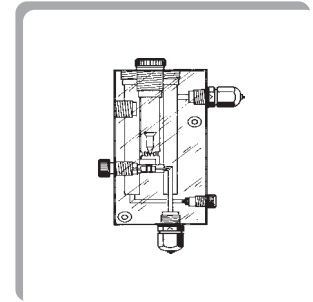
**PEF2**

Off-line electrode holder for  
pH, Redox and temperature  
electrodes with flow level  
control for amperometric cell  
ECL4/5. Set to host proximity  
switch mod. SEPR.



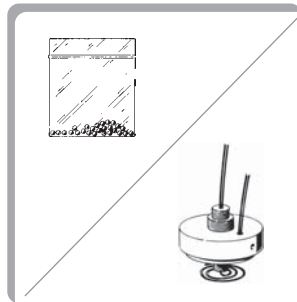
**PEF3**

Off-line electrode holder for  
pH, Redox (PG13,5 thread)  
and temperature with flow  
level control for amperometric  
cell ECL4/5. Set to host  
proximity switch mod. SEPR.



**BIG2**

Glass balls  $\varnothing 2$  for self  
cleaning amperometric cells  
type ECL4/5/6/7.

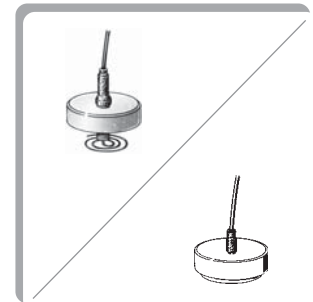


**ELE/PR**

Platinum and copper  
electrodes for amperometric  
cells type ECL6/7.

**ELE/P**

Platinum electrodes for  
amperometric cells ECL4/5.



**ELE/A**

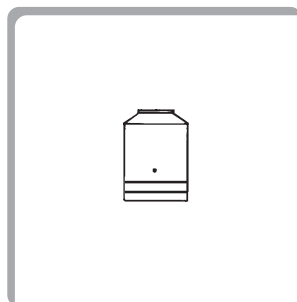
Silver electrodes for  
amperometric cells ECL5.

**ELE/R**

Copper electrodes for  
amperometric cells ECL4.

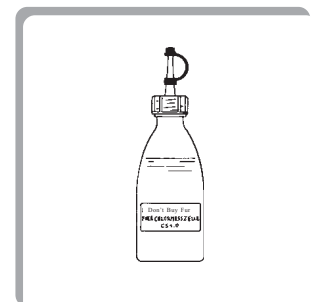
**MECL1/2**

Semi-permeable membrane  
for amperometric cells type  
ECL1/2.



**ELECL1**

Electrolyte for amperometric  
cell type ECL1.



**MECL3/8**

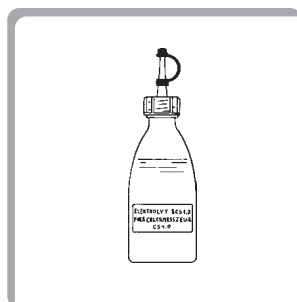
Semi-permeable membrane  
for amperometric cells type  
ECL3/8.

**ELECL2**

Electrolyte for amperometric  
cell type ECL2.

**ELECL3**

Electrolyte for amperometric  
cell type ECL3.



**CASN6**

BNC/SN6 cable for EPHSN6/  
ERHSN6 electrodes. 5  
meters coaxial cable.



**ELECL8**

Electrolyte for amperometric  
cell type ECL8 (total  
chlorine).

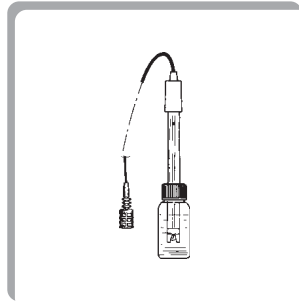
**CASN6/L**

BNC/SN6 cable for EPHSN6/  
ERHSN6 electrodes.  
10 meters coaxial cable.



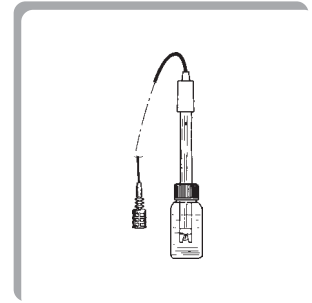
**EPHS**

pH electrode for pressures up to 7bar / 70°C (3.5bar / 80°C). 0.8 meter cable. Epoxy body (0÷14 pH). Minimum 100µS.



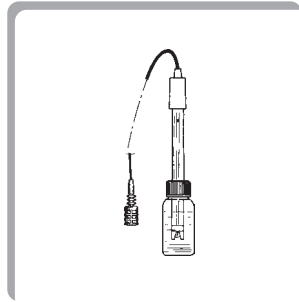
**EPHM**

pH electrode for pressures up to 7bar / 70°C (3.5bar / 80°C). 4.5 meter cable. Epoxy body (0÷14 pH). Minimum 100µS.



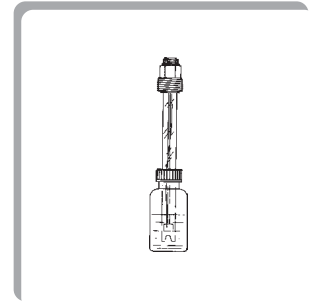
**EPHL**

pH electrode for pressures up to 7bar / 70°C (3.5bar / 80°C). 15 meter cable. Epoxy body (0÷14 pH). Minimum 100µS.



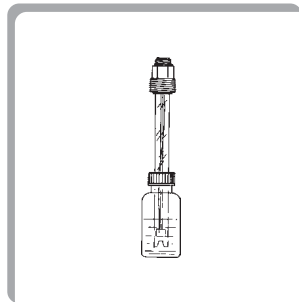
**EPHSN6**

pH electrode (0÷14 pH) for pressures up to 7bar / 70°C (3.5bar / 80°C). SN6 connector and PG13,5 threading. Epoxy body. Minimum 100µS.



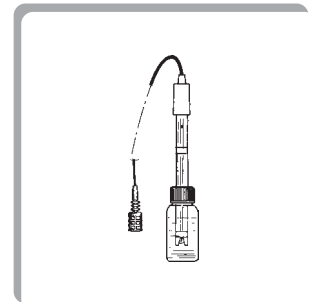
**EPHSN6/G**

pH electrode (0÷14 pH) for pressures up to 7bar / 100°C, SN6 connector and PG13,5 threading. Self cleaning glass body. Minimum 1µS.



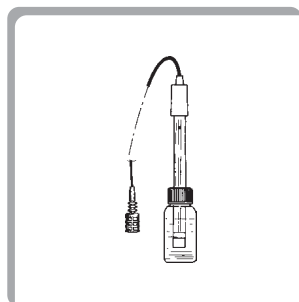
**EPHMD**

pH electrode (double junction) for pressures up to 7bar / 70°C (3.5bar / 80°C). 4.5m cable. Epoxy body (0÷14 pH). Minimum 100µS.



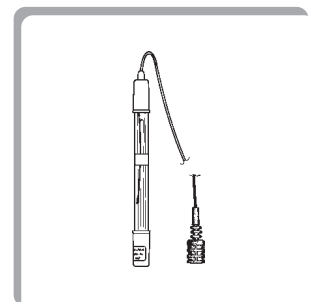
**EPHSC**

Self cleaning pH electrode for pressure up to 7bar / 70°C (3.5bar / 80°C). 4.5m cable. Epoxy body (0÷14 pH). Minimum 1µS.



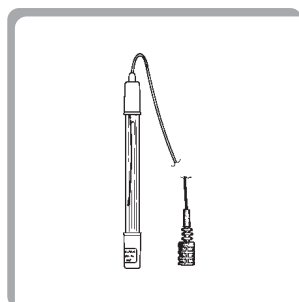
**ERHMD**

Redox (ORP) electrode (double junction) for pressures up to 7bar / 70°C (3.5bar / 80°C). 4.5m cable. Epoxy body. Minimum 100µS.



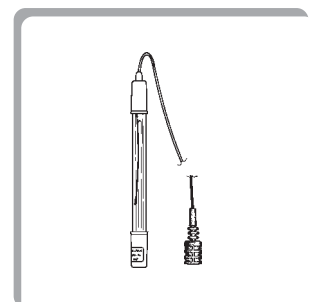
**ERHS**

Redox (ORP) electrode for pressures up to 7bar / 70°C (3.5bar / 80°C). 0.8m cable. Epoxy body. Minimum 100µS.



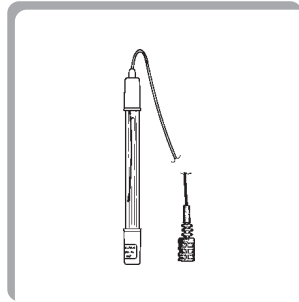
**ERHM**

Redox (ORP) electrode for pressures up to 7bar / 70°C (3.5bar / 80°C). 4.5m cable. Epoxy body. Minimum 100µS.



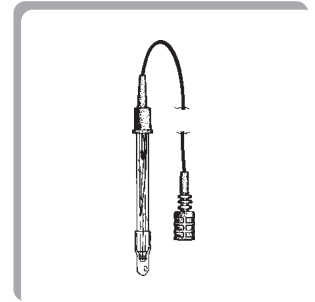
**ERHL**

Redox (ORP) electrode for pressures up to 7bar / 70°C (3.5bar / 80°C). 15m cable. Epoxy body. Minimum 100µS.



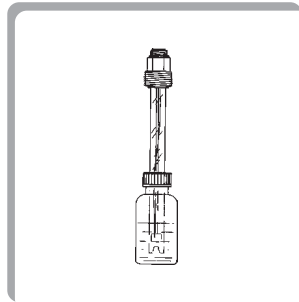
**ERHHL**

Glass Redox (ORP) electrode for pressures up to 2bar / 80°C, for low level of Cl<sub>2</sub>. 9m cable. Minimum 100µS.



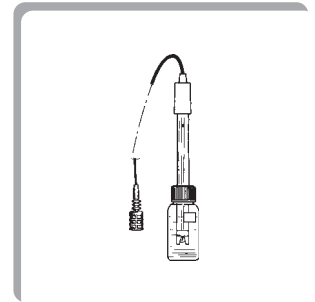
**ERHSN6**

Redox (ORP) electrode for pressures up to 7bar / 70°C (3.5bar / 80°C), SN6 connector and PG13,5 threading. Epoxy body. Minimum 100µS.



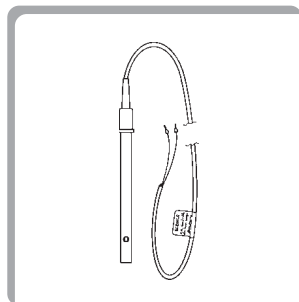
**ERHSC**

Self cleaning Redox (ORP) electrode for pressures up to 7bar / 70°C (3.5bar / 80°C). 4.5m cable. Epoxy body. Minimum 100µS.



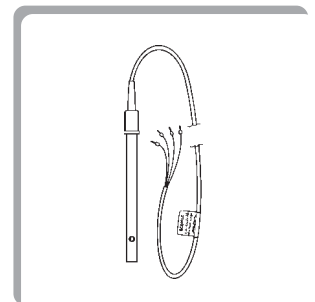
**ECDHL/01**

Conductivity probe with platinum electrodes, working pressure up to 7bar / 70°C. 9m cable. Epoxy body Ø12, K=0,1. Max 200µS.



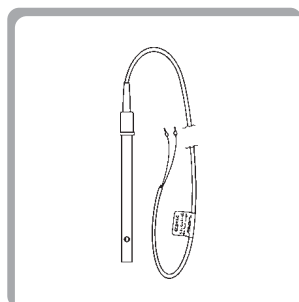
**ECDHLC/01**

Conductivity probe, temperature compensated, with platinum electrodes, working up to 7bar / 70°C. 9m cable. Epoxy body Ø12, K=0,1. Max 200 µS.



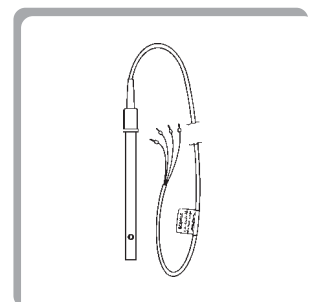
**ECDHL/1**

Conductivity probe with platinum electrodes, working up to 7bar / 70°C. 9m cable. Epoxy body Ø12, K=1. Max 20mS.



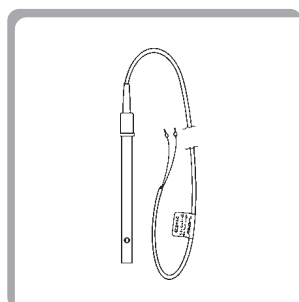
**ECDHLC/1**

Conductivity probe, temperature compensated, with platinum electrodes, working up to 7bar / 70°C. 9m cable. Epoxy body Ø12, K=1. Max 20mS.



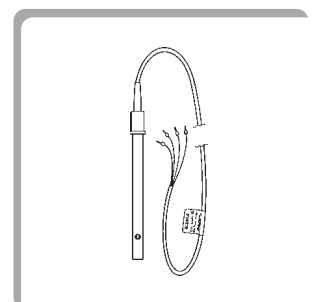
**ECDHL/10**

Conductivity probe with platinum electrodes, working up to 7bar / 70°C. 9m cable. Epoxy body Ø12, K=10. Max 200mS.



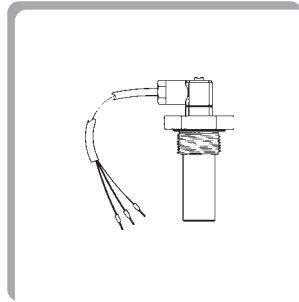
**ECDHLC/10**

Conductivity probe, temperature compensated, with platinum electrodes, working up to 7bar / 70°C. 9m cable. Epoxy body Ø12, K=10. Max 200mS.

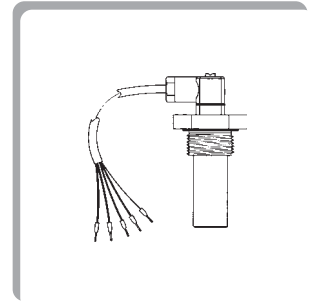


**ECDC**

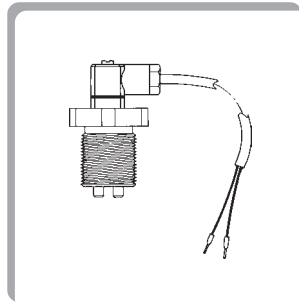
Conductivity probe with graphite electrodes, working pressure up to 7bar/60°C (0bar/90°C). 4m cable. PVCC body, 3/4" threading, K=0.8, max 20mS.


**ECDCC**

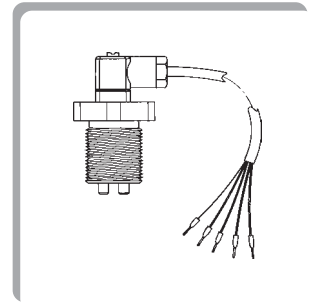
Conductivity probe, temperature compensated, with graphite electrodes, working pressure up to 7bar/60°C (0bar/90°C). 4m cable. PVCC body, 3/4" threading, K=0.8, max 20mS.


**ECDI/1**

Conductivity probe with stainless steel electrodes, working pressure up to 7bar/60°C (0bar/90°C). 4m cable. PVCC body, 3/4" threading, K=1, max 5mS.


**ECDIC/1**

Conductivity probe, temperature compensated, with stainless steel electrodes, working pressure up to 7bar/60°C (0bar/90°C). 4m cable. PVCC body, 3/4" threading, K=1, max 5mS.


**ECDIM/1**

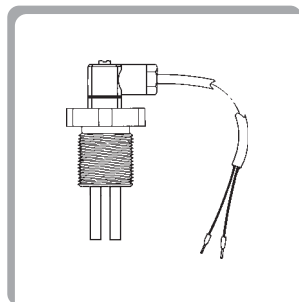
1/2" threading version.

**ECDICM/1**

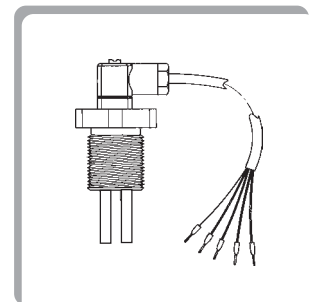
1/2" threading version.

**ECDI/02**

Conductivity probe with stainless steel electrodes, working pressure up to 7bar/60°C (0bar/90°C). 4m cable. PVCC body, 3/4" threading, K=0,2. Max 200µS.


**ECDIC/02**

Conductivity probe, temperature compensated, with stainless steel electrodes, working pressure up to 7bar/30°C (0bar/60°C). 4m cable. PVCC body, 3/4" threading, K=0,2. Max 200µS.


**ECDIM/02**

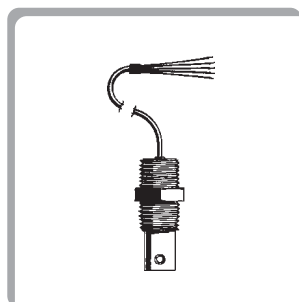
1/2" threading version.

**ECDICM/02**

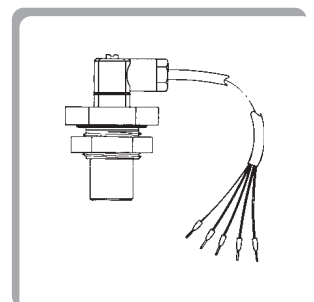
1/2" threading version.

**ECDHTP**

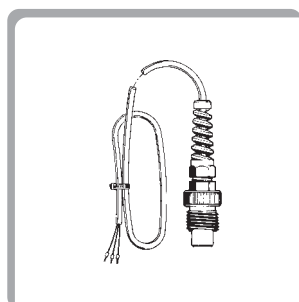
Compensated conductivity probe with stainless steel electrodes, working pressure up to 15bar/200°C. 4m cable. Stainless steel body, 3/4" threading, K=1. Max 2mS.


**ECD20**

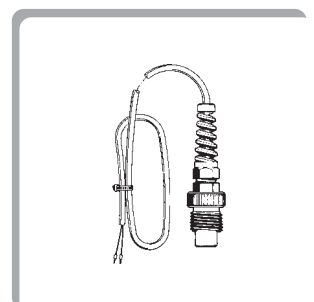
Conductivity probe, temperature compensated, with graphite electrodes, working pressure up to 7bar/60°C and 0bar/90°C. 4m cable. PVCC body, M20 threading, fixing nut.


**ETEHLP**

High linearity temperature probe, 4m cable, PVDF body, 1/2" threading (0°C ÷ 100°C, max 10bar), 1 mV = 0,1°C.

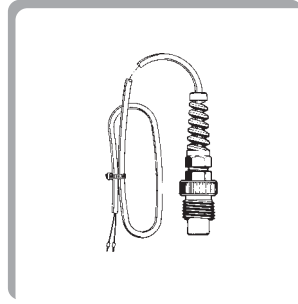

**ETEP**

Probe for temperature compensation with 4m cable, PVDF body, 1/2" threading (0°C ÷ 100°C, max 10 bar), NTC 10Kohm.



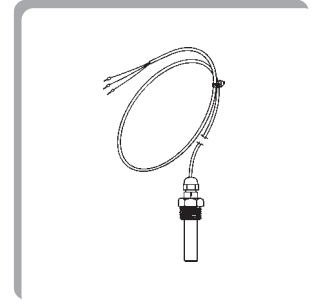
**ETEPT**

Temperature probe, 4m cable, PVDF body, 1/2" threading (0°C÷100°C, max 10 bar), PT100 sensor.



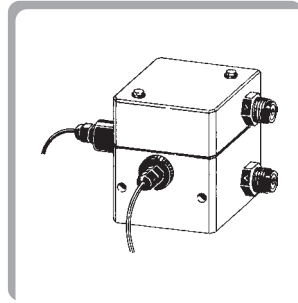
**ETE**

Probe for temperature compensation, 4m cable, brass body, 1/2" threading (0°C÷100° C, max 10 bar), NTC 10Kohm.



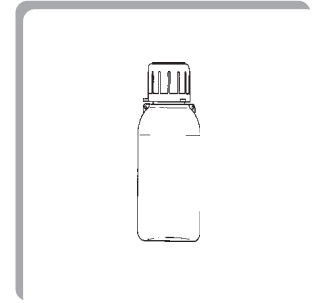
**ETORB**

Off-line turbidity sensor. Measurement range: 0÷ 40NTU. Max flow 40 l/h, 0,5bar.



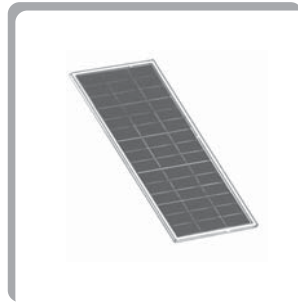
**BSTORB**

Turbidity buffer solution 40NTU, 20ml.



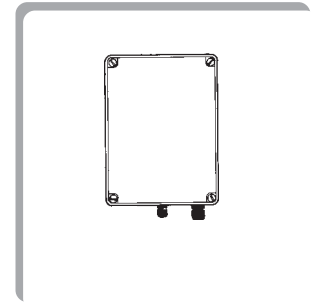
**PAFO5**

Solar panel 12 Vdc - 48W. Length 995 (mm), width 450 (mm), thickness 57 (mm). Weight 6 Kg.



**RECA**

Power regulator for solar panels or batteries (12 Vdc, 10A). IP65 box.

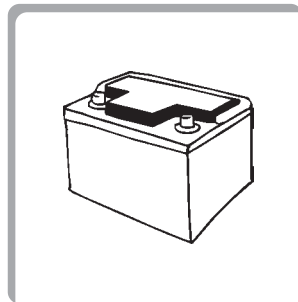


**PAFO7**

Solar panel 12 Vdc - 70W.

**BA55A**

12Vdc battery, 55Ah watertight lead.



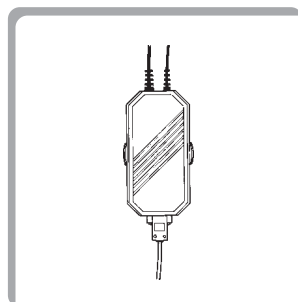
**SUPP**

Photovoltaic's panel system support for pole (Ø60) or wall mounting (mod. PAFO5 o PAFO7).



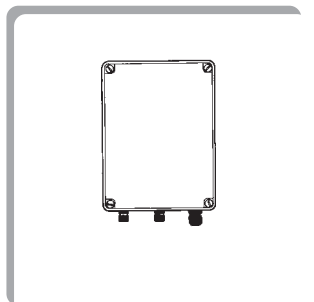
**MDGSM € 1.239,00**

Modem for CCST series instruments. It uses GSM standard protocol (mobile phone). Cables and power supply included. IP65 box.



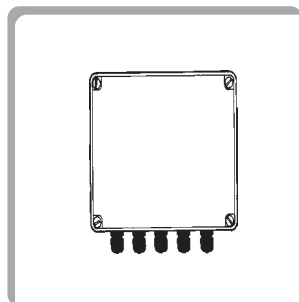
**MDBOX € 310,00**

External modem for CCS series instruments. IP65 box.



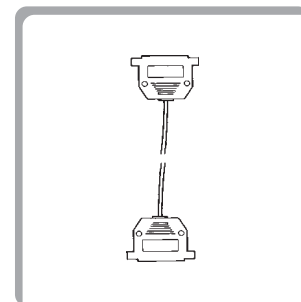
**SW4**

Switch to connect up to 4 CCST to a unique modem.



**CAVOMD**

Connection cable for CCST instrument and MDBOX modem. 4m cable.

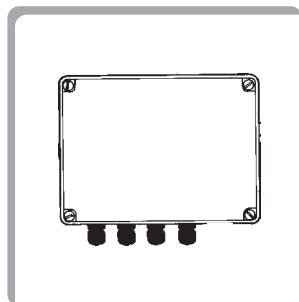


**CAVOPC**

Connection cable for CCST instrument and computer. 4m cable.

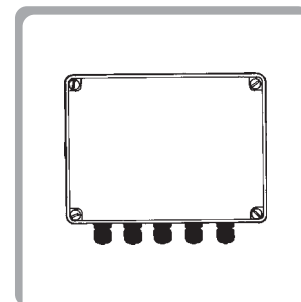
**ESP8**

8 I/O expansion box for CCS and CCST instruments.



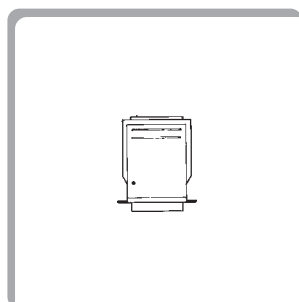
**CONV**

Serial/analog converter, 4÷20 mA for CCS and CCST instruments.



**RSPA**

RS232 (serial) to Centronics (parallel) converter.



**BSA**

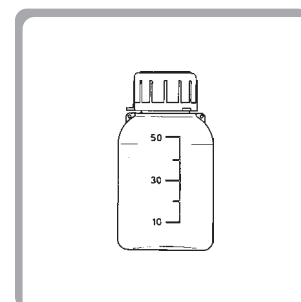
Buffer solution pH 4 - 50ml.

**BSB**

Buffer solution pH 7 - 50ml.

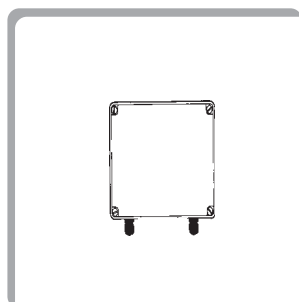
**BSC**

Buffer solution pH 9 - 50ml.



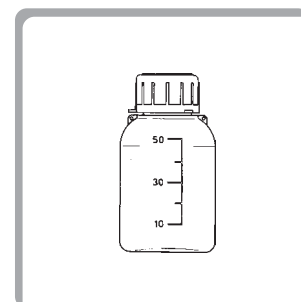
**ADI**

Amplifier for pH/ORP electrodes. Max distance 150m.



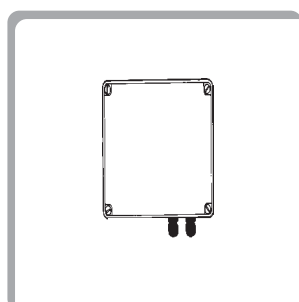
**BSD**

Buffer solution 650 mV - 50ml.



**SVG/2**

Two channels galvanic isolator.  
Input: 0/4÷20 mA.  
Output: 0/4÷20 mA.



**BSI**

Buffer solution conductivity 12.880  $\mu\text{S}$  25°C - 50ml.

**BSE**

Buffer solution conductivity 1.413  $\mu\text{S}$  - 25°C - 50ml.

