

## Dimensions

### Dimensions for PE & PTFE series

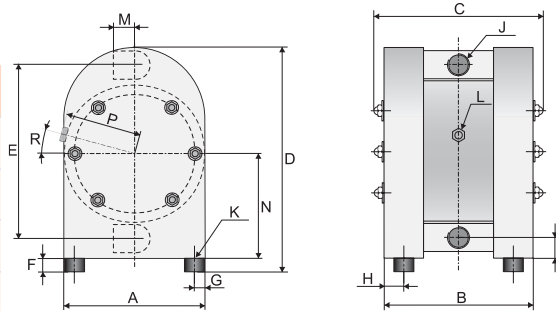
Dimensions in mm (where other is not indicated)

Dimensions in inch (where other is not indicated)

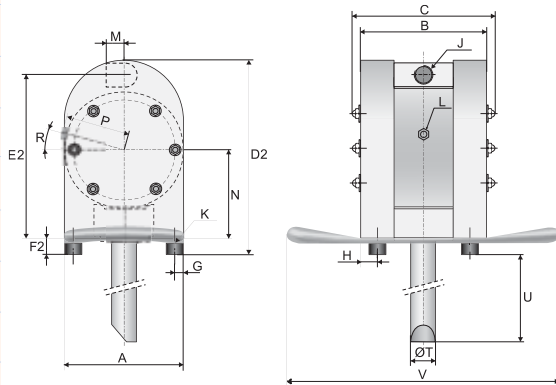
Dim	Pump size					
	9	20	50	100	200	400
<b>A</b>	70 2.76	105 4.13	150 5.91	200 7.87	270 10.63	350 13.78
<b>A2</b>	-	-	150 5.91	300 11.81	300 11.81	404 15.91
<b>B</b>	94 3.70	112 4.41	160 6.30	214 8.43	310 12.20	380 14.96
<b>B2</b>	-	-	168 6.61	221 8.70	320 12.60	390 15.35
<b>B3</b>	-	-	277 10.91	391 15.39	490 19.29	598 23.54
<b>C</b>	115 4.53	135 5.31	190 7.48	250 9.84	345 13.58	425 16.73
<b>D</b>	123 4.84	168 6.61	243 9.57	320 12.60	450 17.72	563 22.17
<b>D2</b>	-	175 6.89	250 9.84	325 12.80	-	-
<b>D3</b>	-	-	385 15.16	550 21.65	700 27.56	770 30.31
<b>D4</b>	-	-	343 13.50	477 18.78	630 24.80	690 27.17
<b>E</b>	92 3.62	132 5.20	190 7.48	252 9.92	345 13.58	440 17.32
<b>E2</b>	-	147 5.79	210 8.27	280 11.02	-	-
<b>E3</b>	-	-	250 9.84	333 13.11	467 18.39	588 23.15
<b>F</b>	8 0.31	8 0.31	15 0.59	15 0.59	30 1.18	30 1.18
<b>F2</b>	-	15 0.59	21 0.83	21 0.83	-	-
<b>G</b>	9 0.35	15 0.59	17 0.67	30 1.18	30 1.18	30 1.18
<b>H</b>	10 0.39	15 0.59	16 0.63	30 1.18	30 1.18	30 1.18
<b>H2</b>	-	-	19 0.75	33 1.30	35 1.38	35 1.38
<b>I</b>	12 0.47	15 0.59	20 0.79	28 1.10	38 1.50	48 1.89
<b>J</b>	1/4" 1/4	3/8" 3/8	1/2" 1/2	1" 1	1 1/2" 1 1/2	2" 2
<b>J2</b>	1/4" 1/4	3/8" 3/8	1/2" 1/2	3/4" 3/4	1" 1	1 1/2" 1 1/2
<b>K</b>	M4x20 M4	M4x20 M4	M8x25 M8	M8x25 M8	M8x25 M8	M8x25 M8
<b>L</b>	1/8" 1/8	1/8" 1/8	1/4" 1/4	1/4" 1/4	1/2" 1/2	1/2" 1/2
<b>M</b>	15 0.59	17 0.67	25 0.98	38 1.50	54 2.13	70 2.76
<b>N</b>	58 2.28	81 3.19	115 4.53	154 6.06	211 8.31	268 10.55
<b>P</b>	35 1.38	52 2.05	80 3.15	105 4.13	143 5.63	183 7.20
<b>R</b>	0° 0°	0° 0°	15° 15°	15° 15°	0° 0°	0° 0°
<b>S</b>	13 0.51	15 0.59	21 0.83	27 1.06	35 1.38	42 1.65
<b>ØT</b>	-	20 0.79	33 1.30	33 1.30	-	-
<b>U</b>	-	1270* 50.0*	1270* 50.0*	1270* 50.0*	-	-
<b>V</b>	-	285 11.22	360 14.17	400 15.75	-	-

\* = Any length up to 2000 mm upon request  
 \* = Any length up to 79" upon request

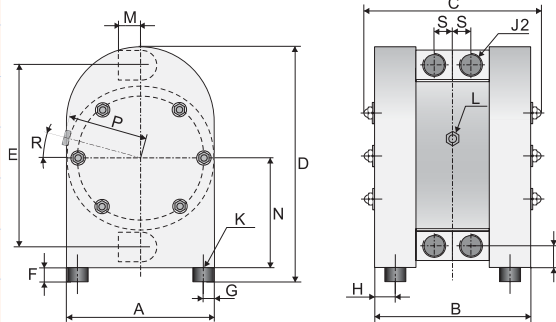
### Standard pumps T



### Drum pumps TD



### Twin pumps TT



### Filterpress pumps TF

