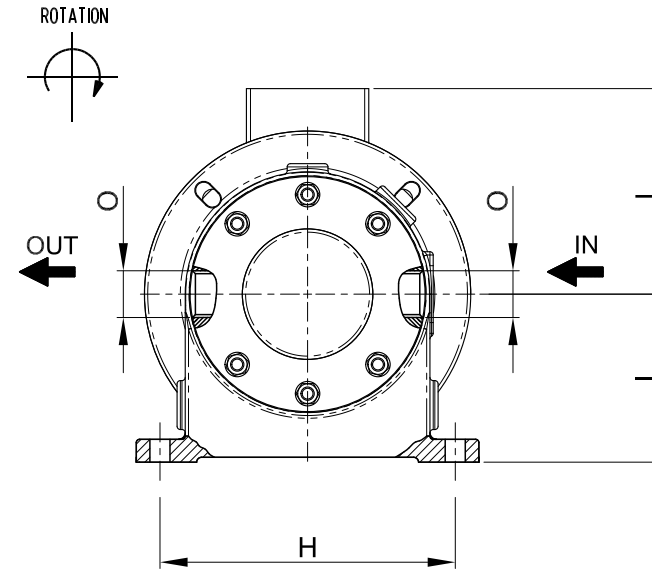
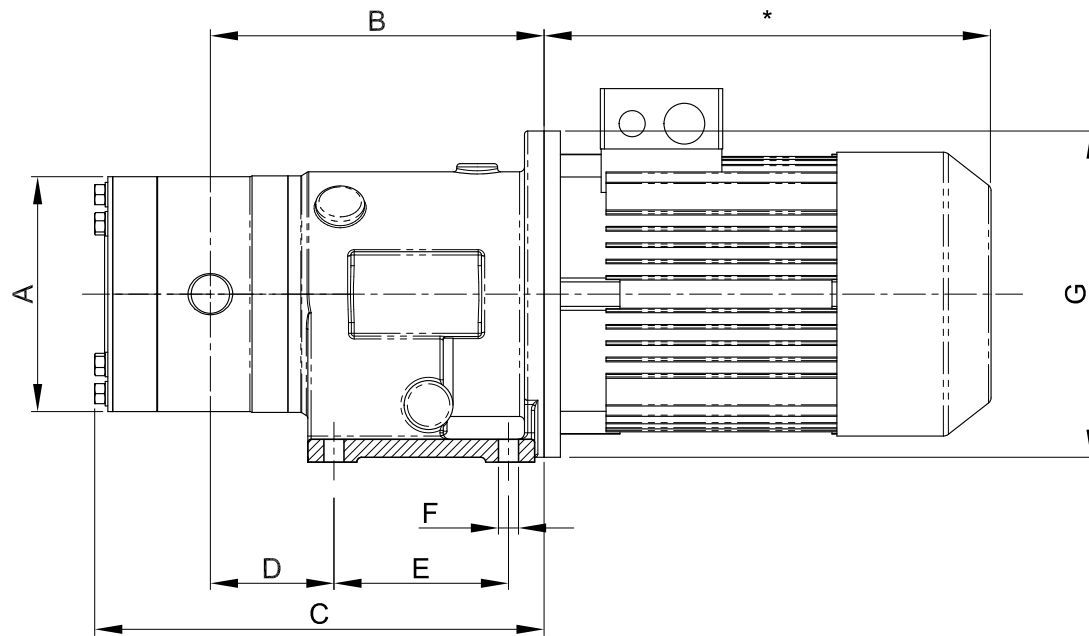


OUTLINE DRAWING

CODE: D 10571 Rev.:00



DIMENSIONS

A	B	C	D	E	F	G	H	I	L
144	204.5	275.5	74.8	109	11	200	180	103	126

- This drawing is for reference only
- Pump may be supplied without motor
- All dimensions are in millimeters

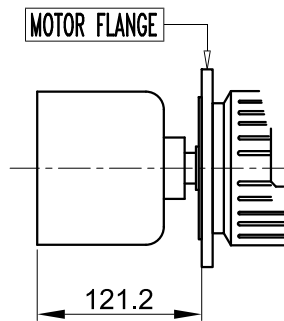
* Depend on the manufacturer

Suction / Discharge Port



3/4" BSP-F/NPT-F

external magnet



Pump model: VPM PP/PVDF
ITEM:

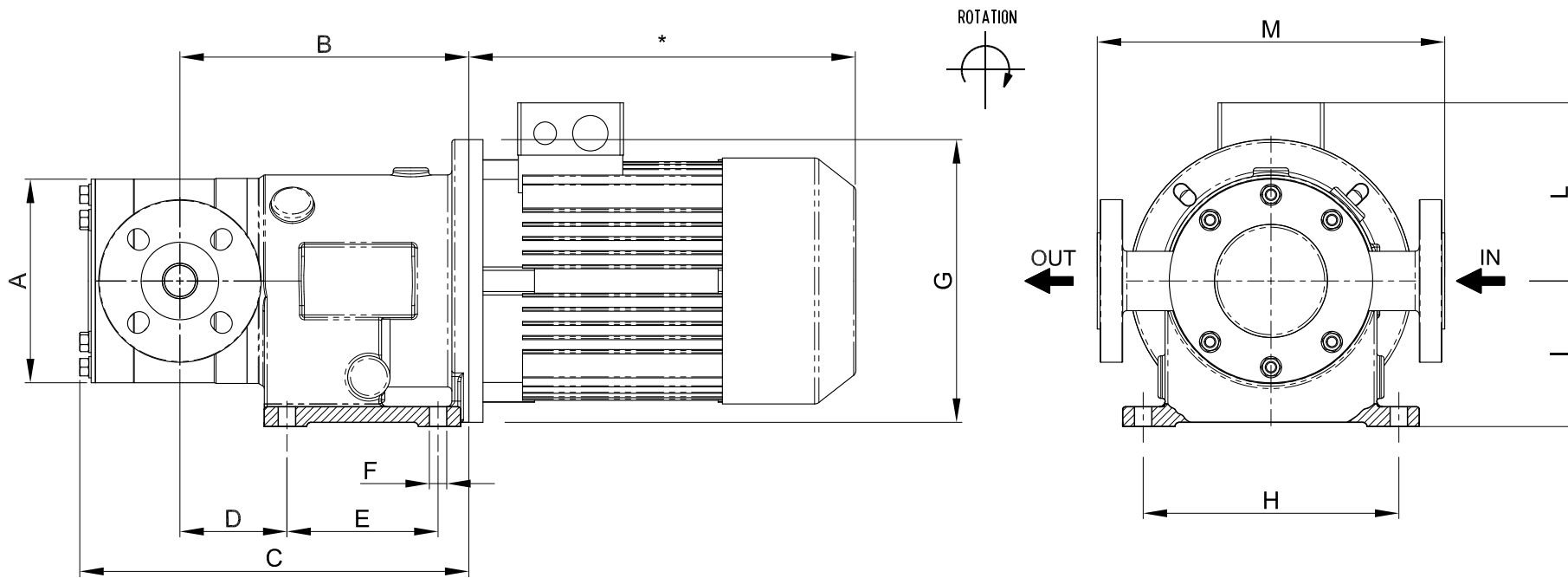
Motor: IEC Gr.90

Port connections: Threaded

Standard: BSP-F UNI ISO 228/1 | NPT-F USAS B2-1/1968

OUTLINE DRAWING

CODE: D 10617 Rev.:00

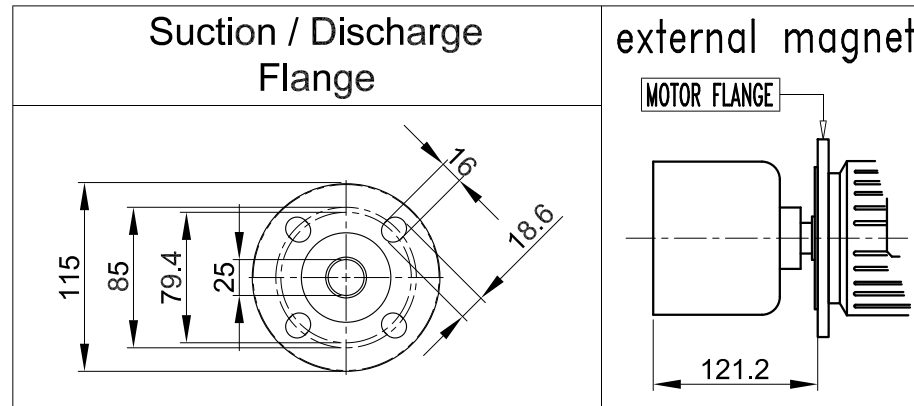


Pump model: VPM FL UNIV
ITEM:

DIMENSIONS

A	B	C	D	E	F	G	H	I	L	M
144	204.5	275.5	74.8	109	11	200	180	103	126	246

- This drawing is for reference only
 - Pump may be supplied without motor
 - All dimensions are in millimeters
- * Depend on the manufacturer



Motor: IEC Gr.90
Port connections: Universal Flanged