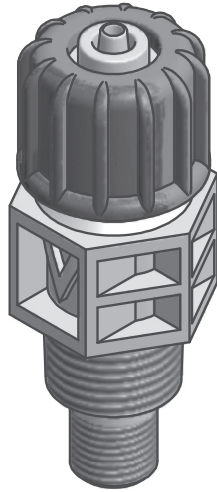
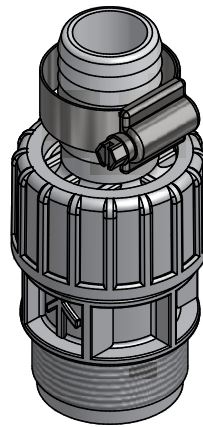


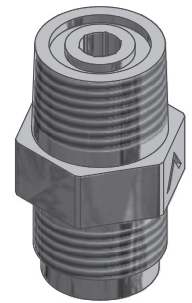
# INJECTION VALVES



R1/2"  
R3/4"



G1-1/2"



R1/2" - SS

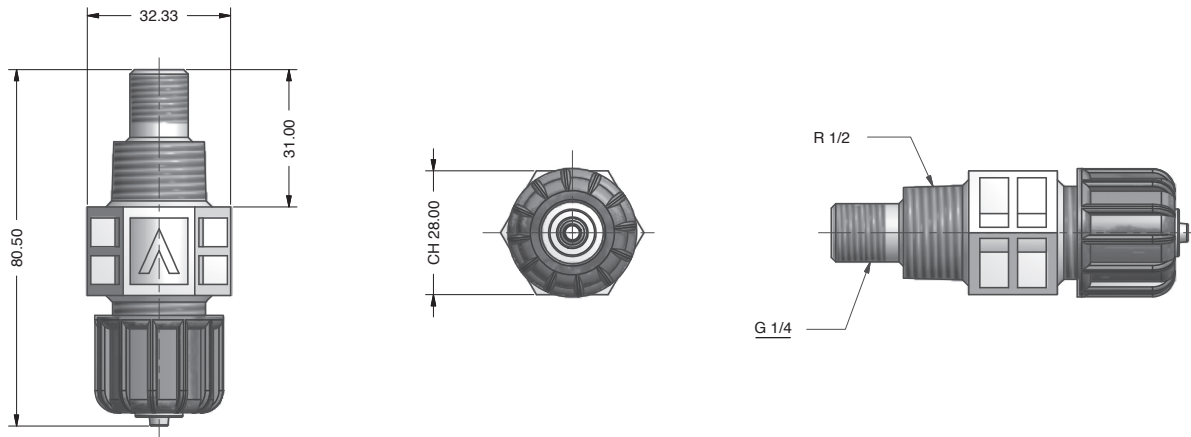
## FEATURES

Injection valve	standard	on demand	on demand	Prius injection valve	Prius injection valve
Open pressure	0,3 bar	1 or 2 or 3 or 4 or 5 bar	1 or 2 or 3 or 4 or 5 bar	1 bar	1 bar
Connection	R1/2"	R3/4"	R1/2"	G1-1/2"	R1/2"
Hoses	4x6 - 6x8	8x10 - 13x16	4x6 - 6x8 - 8x10 - 13x16 - 12x18	18X22 - 30X38	12x18 - 13x16
Ball	Ceramic	Teflon or SS	SS	Glass or SS	Glass or SS
O-ring	EP or FP	PTFE or WAX	EP or FP	EP or FP	EP or FP
Material	PVDF	PVDF	SS	PE or PVC or PVDF	PVC or PVDF
Operating max T°@ pressure	25°C @ 25 bar (140°C @ 2 bar)	25°C @ 25 bar (140°C @ 2 bar)	130°C @ 25 bar	40°C @ 16 bar	40°C @ 16 bar

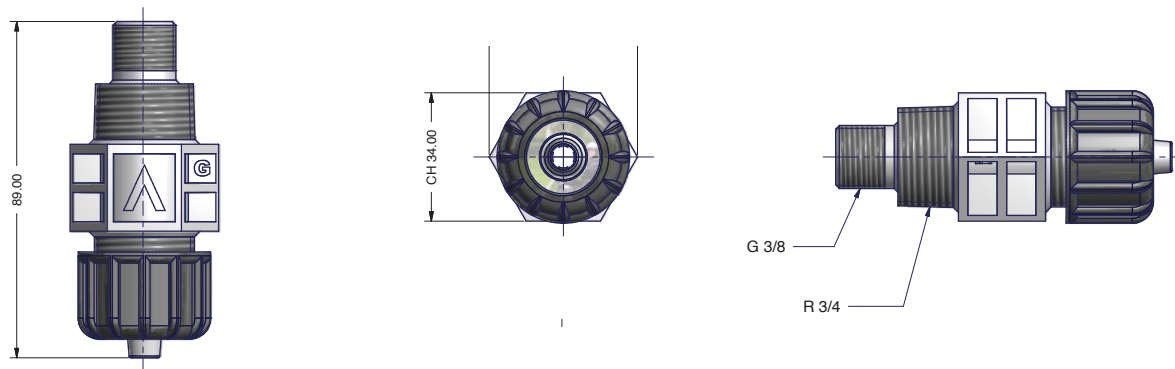
# INJECTION VALVES

## DIMENSIONS (mm)

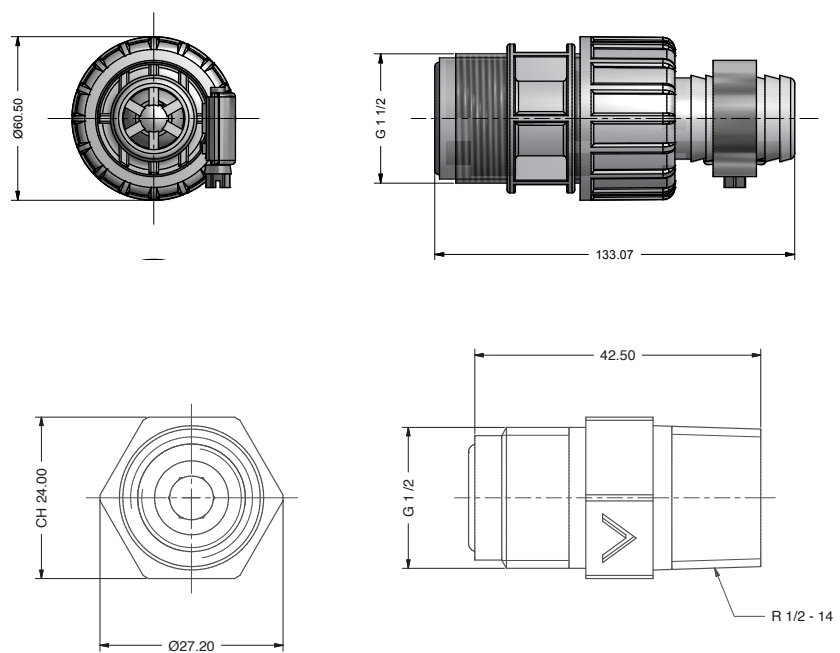
1/2" injection valve



3/4" injection valve



1-1/2" injection valve



## INJECTION VALVES



Working pressure is impressed here:

- 0,3 bar
- 1: 1 bar
- 2: 2 bar
- 3: 3 bar
- 4: 4 bar
- 5: 5 bar



Threading nut color indicates the internal oring material:

COLOR	ORING
black	FP (FKM B)
white	EP (Etilene Propilene)
blue	PTFE
green	WAX

CODE	DESCRIPTION
073.1062.1	Complete Injection Valve 1/2" 4x6 (PVDF + FP + CE + C276)
073.1065.1	Complete Injection Valve 1/2" 4x6 (PVDF + EP + CE + C276)
073.1111.1	Complete Injection Valve 1/2" 4X6 (PVDF+WAX+CE) 0,3 BAR
073.1079.1	Complete Injection Valve 1/2" 6x8 (PVDF + FP + CE + C276)
073.1112.1	Complete Injection Valve 1/2" 6x8 (PVDF + EP + CE + C276)
073.1189.1	Complete Injection Valve 1/2" 6X8 (PVDF+WAX+CE) 0,3 BAR
073.1495.1	Complete Injection Valve 1/2" 6X8 (PP+EP+CE) 0,3 BAR
073.1080.1	Complete Injection Valve 1/2" 8x10 (PVDF + FP + CE + C276)
073.1135.1	Complete Injection Valve 1/2" 8x10 (PVDF + EP + CE + C276)
073.1337.1	Complete Injection Valve 1/2" 8X10 (PVDF+WAX+CE) 0,3 BAR
073.1390.1	Complete Injection Valve 1/2" 4X6 (PP+EP+CE) 0,3 BAR
073.1214.1	Complete Injection Valve 3/4" 13x16 (PVDF + FP + CE + C276)
073.1215.1	Complete Injection Valve 3/4" 13x16 (PVDF + EP + CE + C276)
073.1212.1	Complete Injection Valve 3/4" 8x10 (PVDF + FP + CE + C276)
073.1213.1	Complete Injection Valve 3/4" 8x10 (PVDF + EP + CE + C276)
073.1608.1	Complete Injection Valve 3/4" 8X10 (PVDF+WAX+CE) 0,3 BAR
073.1610.1	Complete Injection Valve 3/4" 13X16 (PVDF+WAX+CE) 0,3 BAR
073.0888.1	Injection Valve 1/2" 4x6 (SS+FP+SS) (Inox AISI316)
073.0889.1	Injection Valve 1/2" 6x8 (SS+FP+SS) (Inox AISI316)