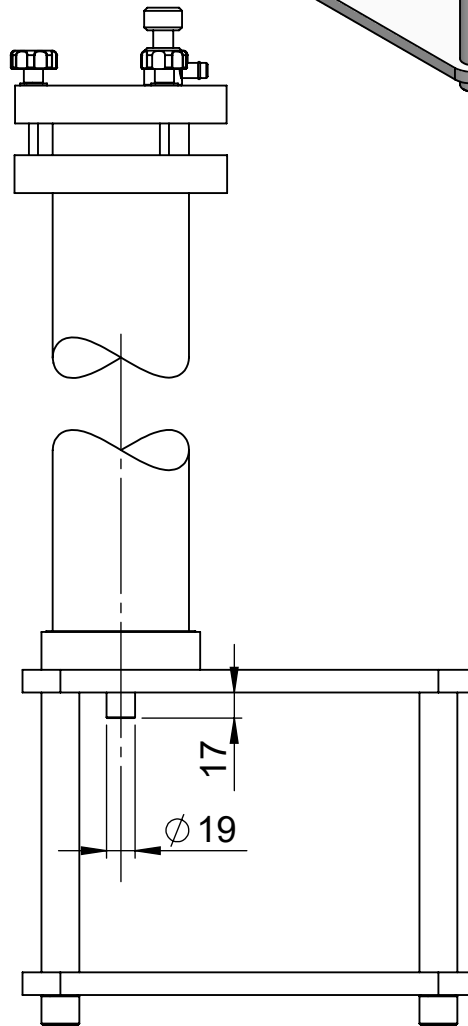
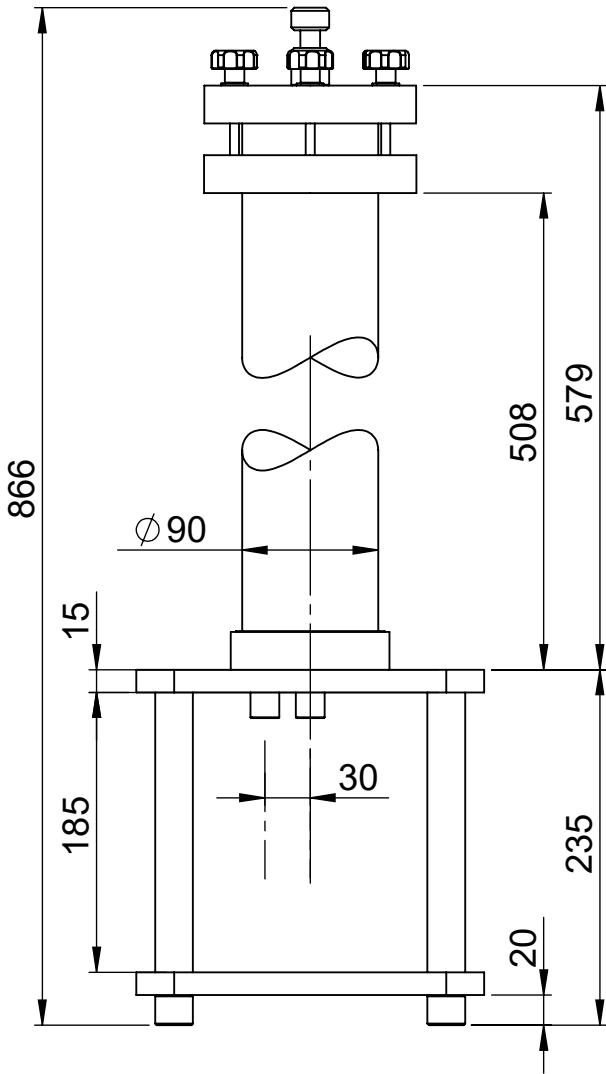
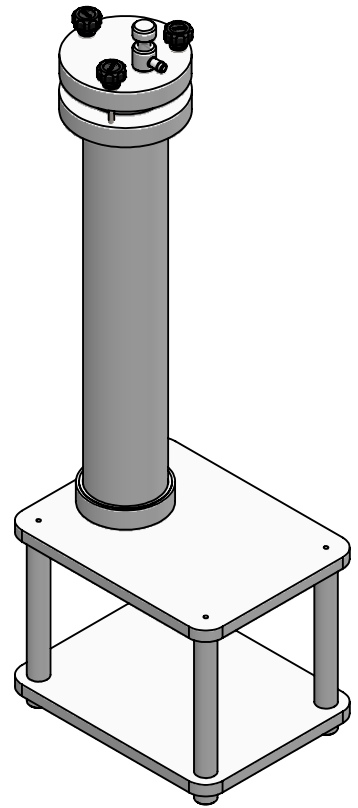
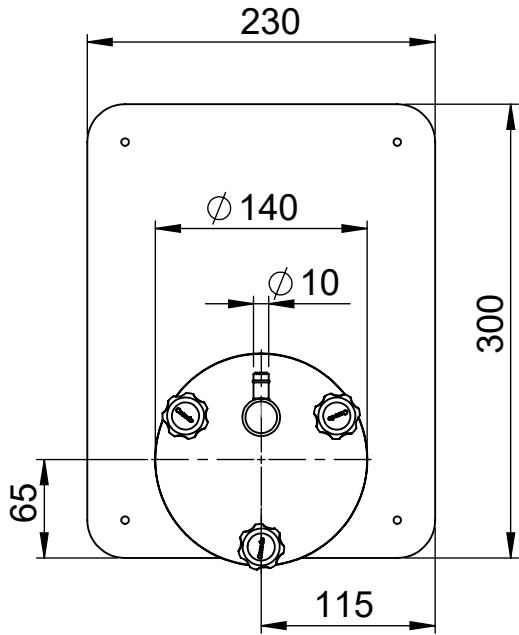


This drawing remains property of Kin Pompentechniek B.V. and may not be copied, reproduced or given to any other party in whatever form, without prior written consent of Kin Pompentechniek B.V.



Projection Article No. .

Unless otherwise specified:  
 - All dimensions are in millimetres  
 - Tolerances are according to DIN ISO 2768-mK  
 - Geometrical tolerances according ISO 1101 - 1983  
 - Surface roughness according DIN ISO 1302 - 1992

Do not scale drawing !

Description				
.				
Designed By	Design Date	Approved By	Form	Scale
.	11-11-2020	.	A4	1:5
Drawing No.			Rev.	Sheet
<b>CHPPH20.01C-BF</b>				1/1