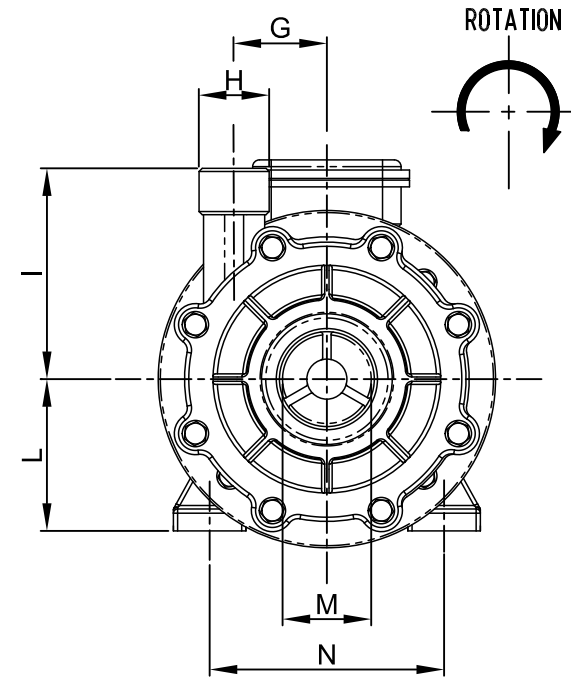
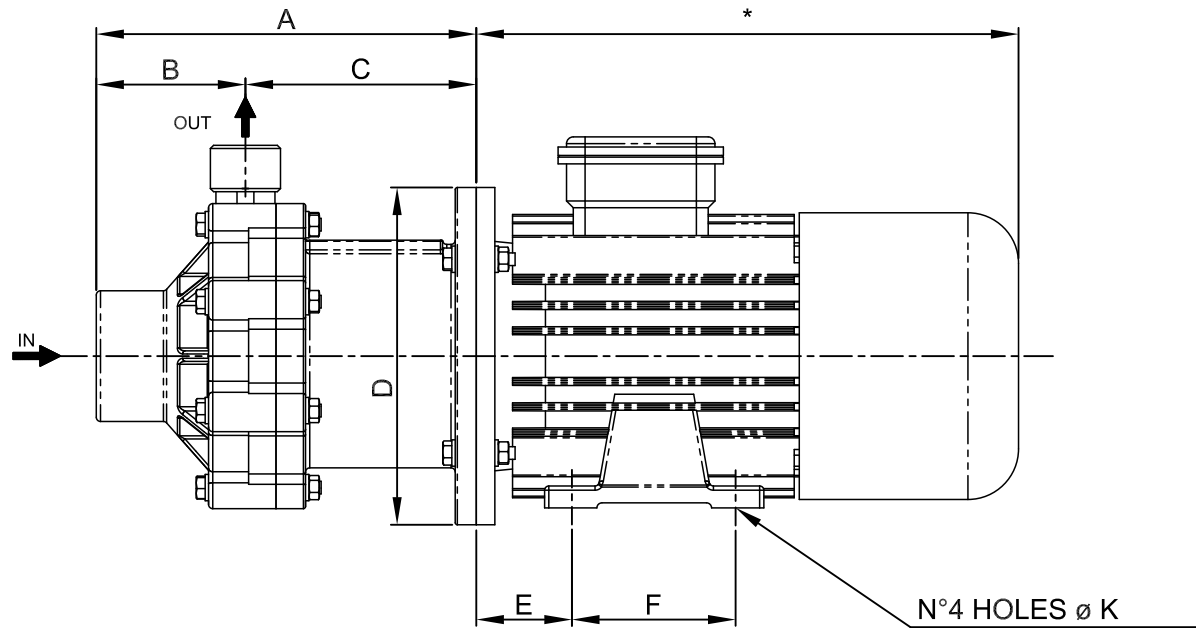


# OUTLINE DRAWING

CODE: D 10267 Rev.:00



# DIMENSIONS

A	B	C	D	E	F	G	H	I	L	M	N	K
114	38.5	75.5	120	36	71	34	1/2"	80	56	1"	90	5.8

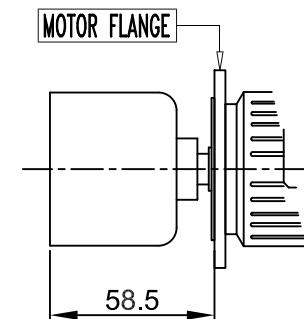
- This drawing is for reference only

- Pump may be supplied without motor

- All dimensions are in millimeters

\* Depend on the manufacturer

external magnet



ITEM: Pump model: CM MAG-P4 PP/PVDF

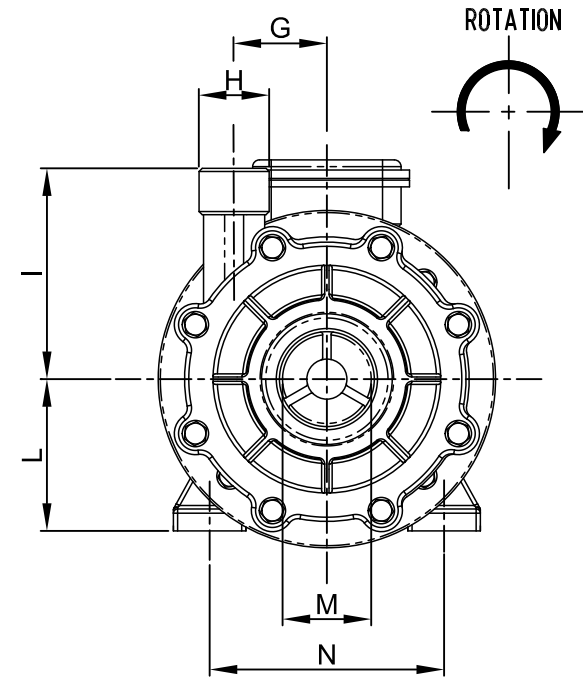
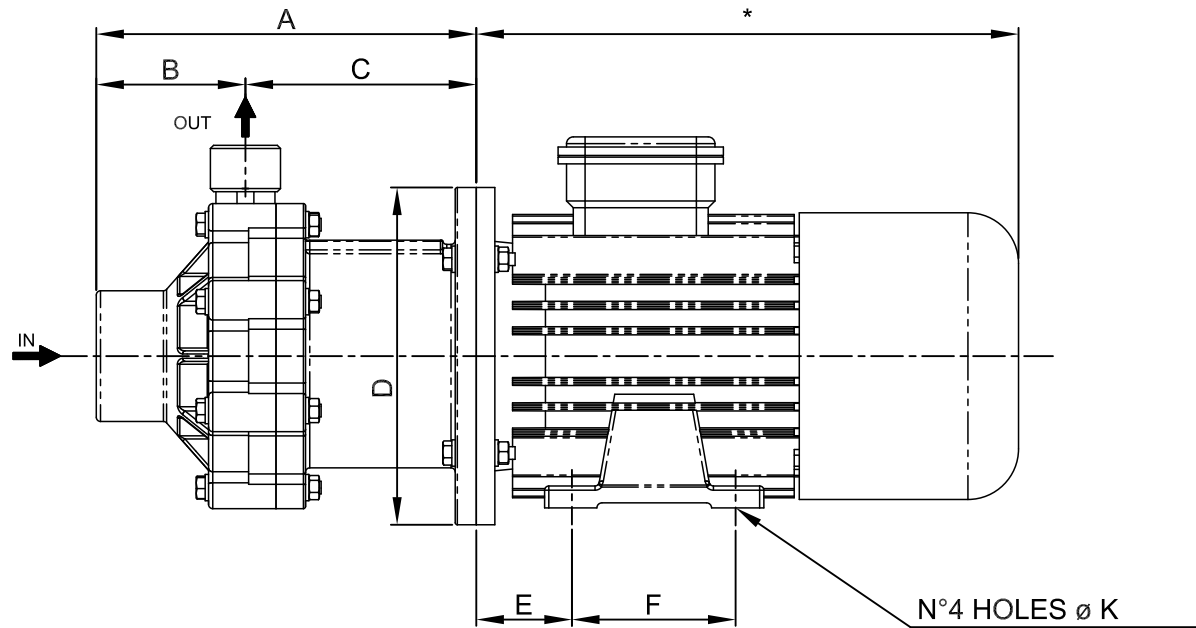
Motor: IEC Gr56 B3-B5

Port connection: Threaded

Standard: BSP-F UNI ISO 228/1 | NPT-F USAS B2-1/1968

# OUTLINE DRAWING

CODE: D 10052 Rev.:00



## DIMENSIONS

A	B	C	D	E	F	G	H	I	L	M	N	K
143	59	84	140	40	80	46	3/4"	91	63	1"	100	7

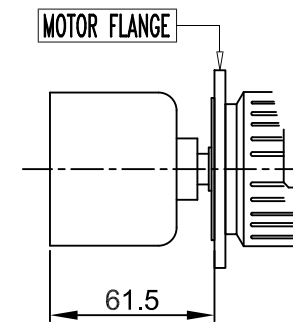
- This drawing is for reference only

- Pump may be supplied without motor

- All dimensions are in millimeters

\* Depend on the manufacturer

external magnet

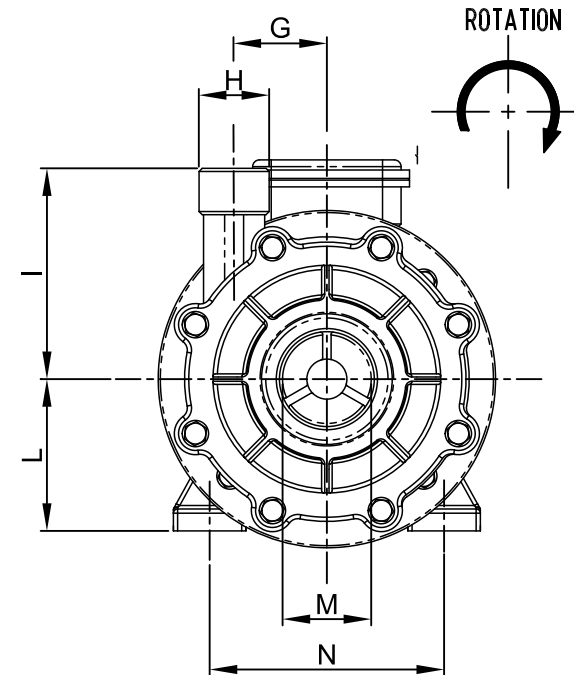
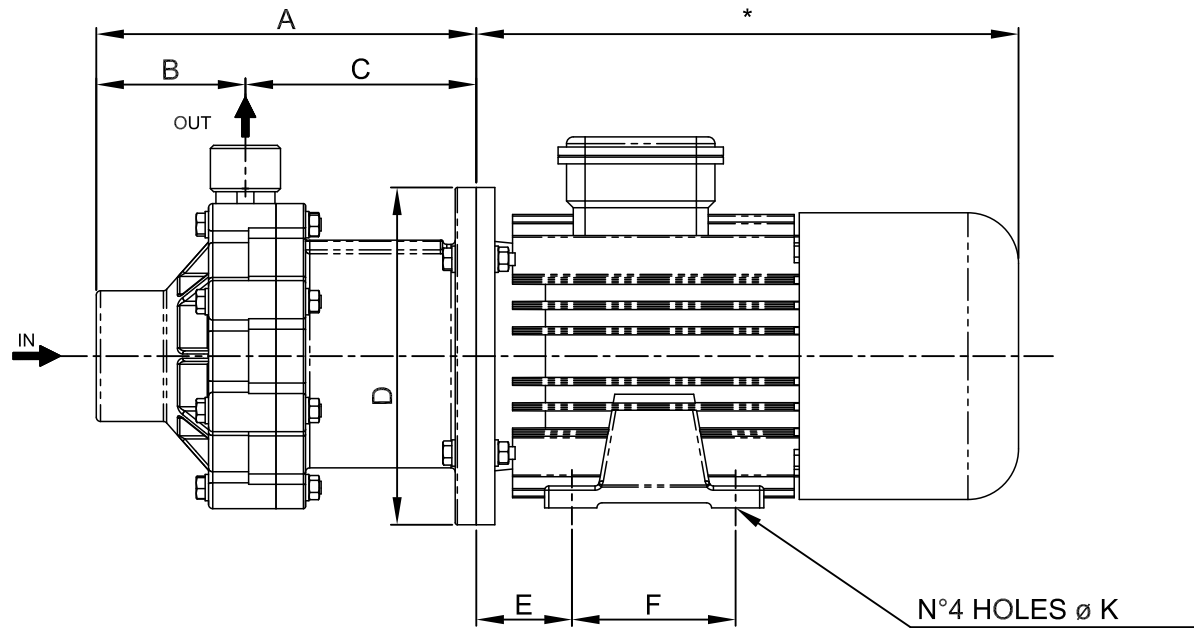


ITEM: Pump model: CM MAG-P6 PP/PVDF

Motor: IEC Gr63 B3-B5  
 Port connection: Threaded  
 Standard: BSP-F UNI ISO 228/1 | NPT-F USAS B2-1/1968

# OUTLINE DRAWING

CODE: D 10053 Rev.:00



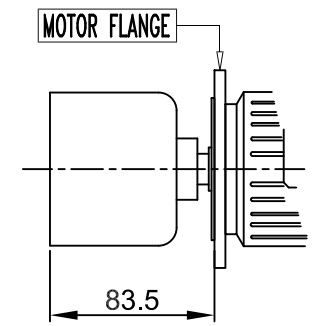
# DIMENSIONS

A	B	C	D	E	F	G	H	I	L	M	N	K
180	70.8	109.5	160	45	90	44	1''	100	71	112	112	7

- This drawing is for reference only
- Pump may be supplied without motor
- All dimensions are in millimeters

\* Depend on the manufacturer

external magnet



ITEM: Pump model: CM MAG-P10 PP/PVDF

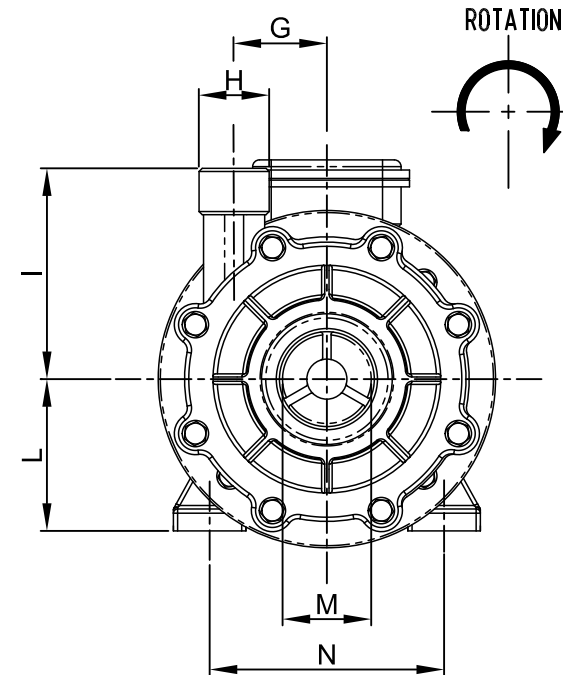
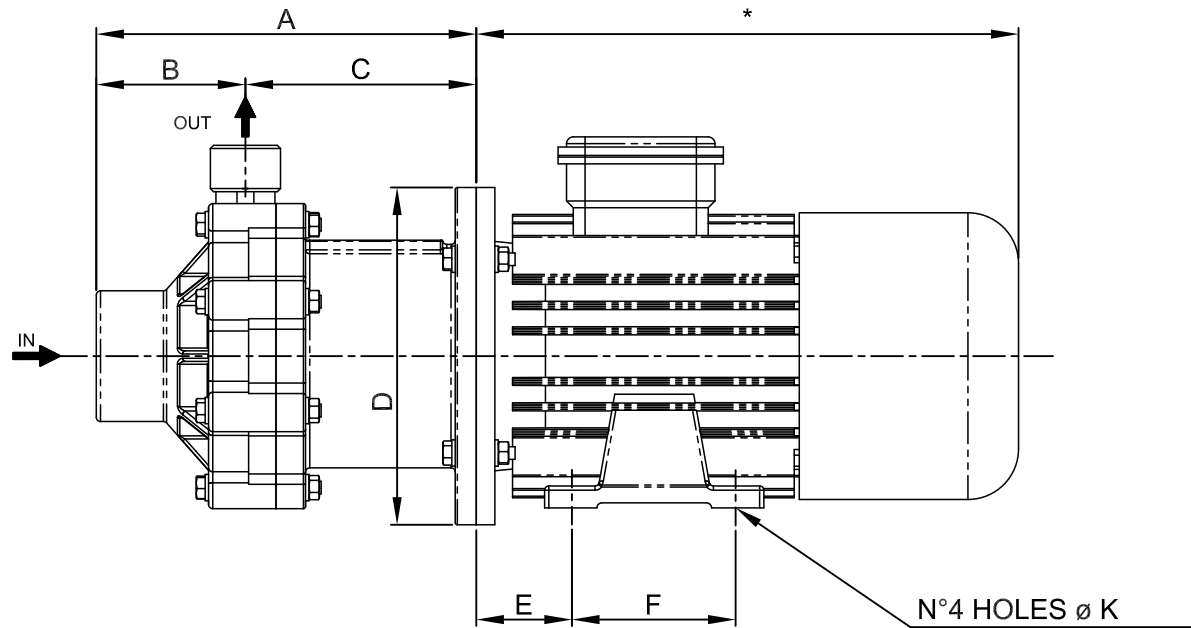
Motor: IEC Gr71 B3-B5

Port connection: Threaded

Standard: BSP-F UNI ISO 228/1 | NPT-F USAS B2-1/1968

# OUTLINE DRAWING

CODE: D 10054 Rev.:00



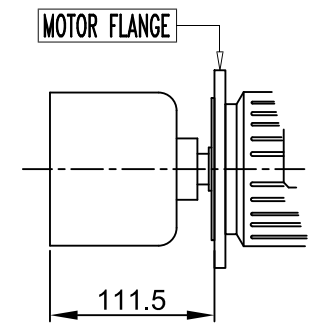
## DIMENSIONS

A	B	C	D	E	F	G	H	I	L	M	N	K
231	81	150	200	50	100	62.5	1"1/4	125	80	2"	125	9.5

- This drawing is for reference only
- Pump may be supplied without motor
- All dimensions are in millimeters

\* Depend on the manufacturer

external magnet



ITEM: Pump model: CM MAG-P15 PP/PVDF

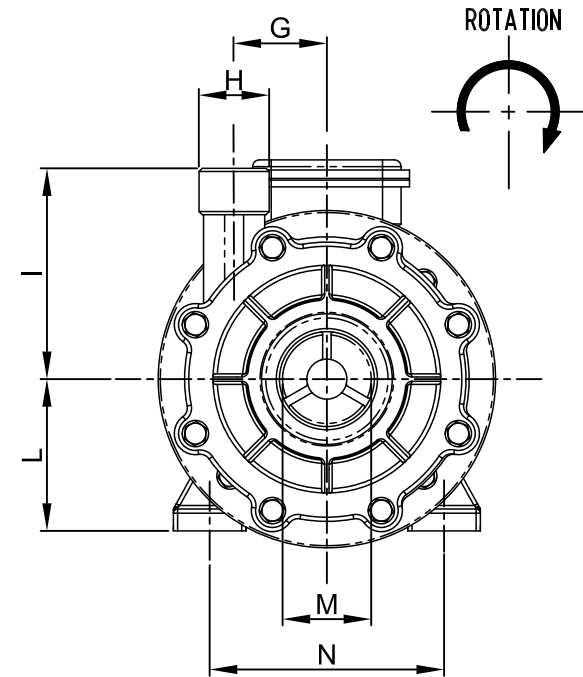
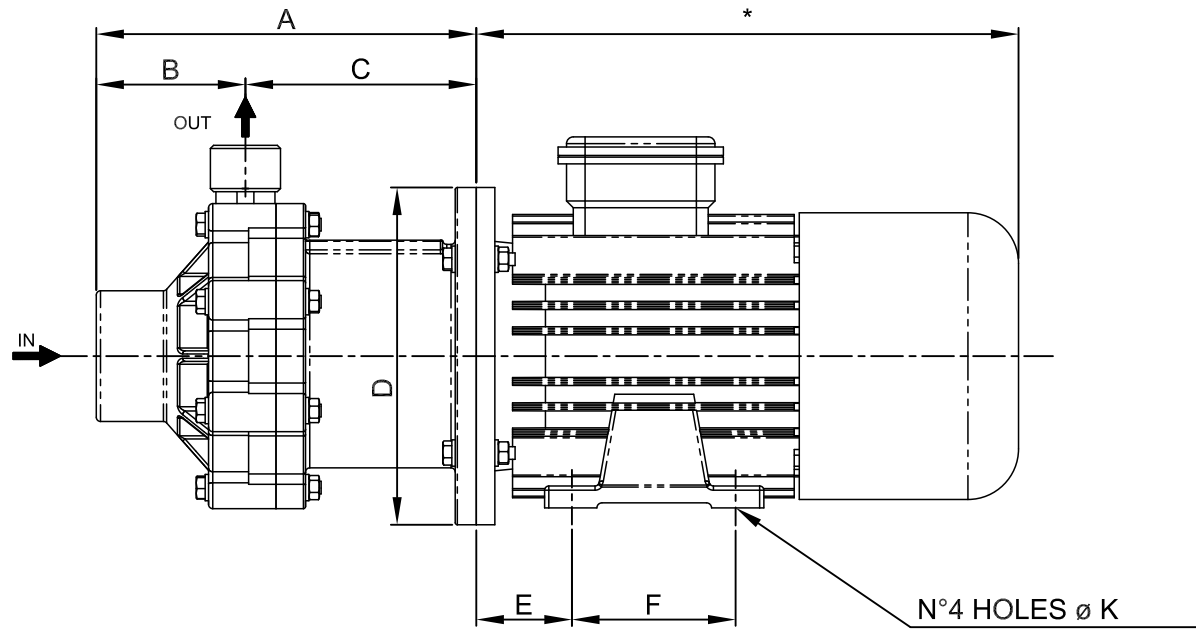
Motor: IEC Gr80 B3-B5

Port connection: Threaded

Standard: BSP-F UNI ISO 228/1 | NPT-F USAS B2-1/1968

# OUTLINE DRAWING

CODE: D 10268 Rev.:00



## DIMENSIONS

A	B	C	D	E	F	G	H	I	L	M	N	K
278	91	187	200	56	100	66.5	1-1/2"	140	90	2"	140	10

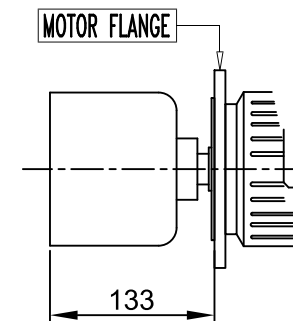
- This drawing is for reference only

- Pump may be supplied without motor

- All dimensions are in millimeters

\* Depend on the manufacturer

external magnet

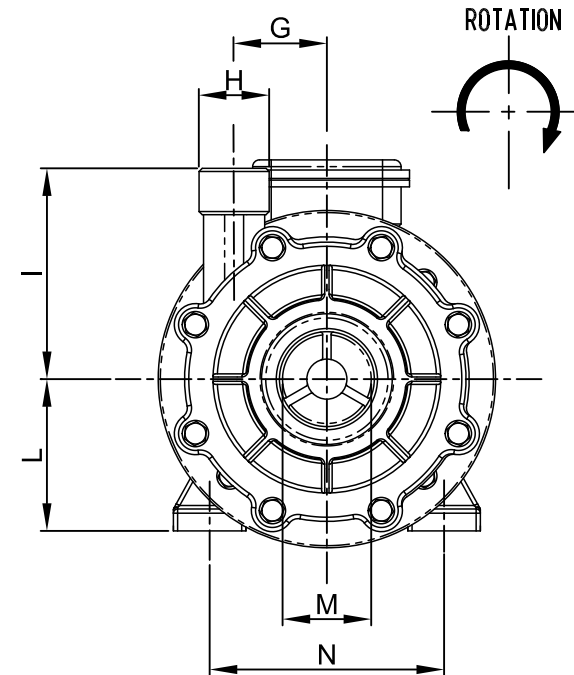
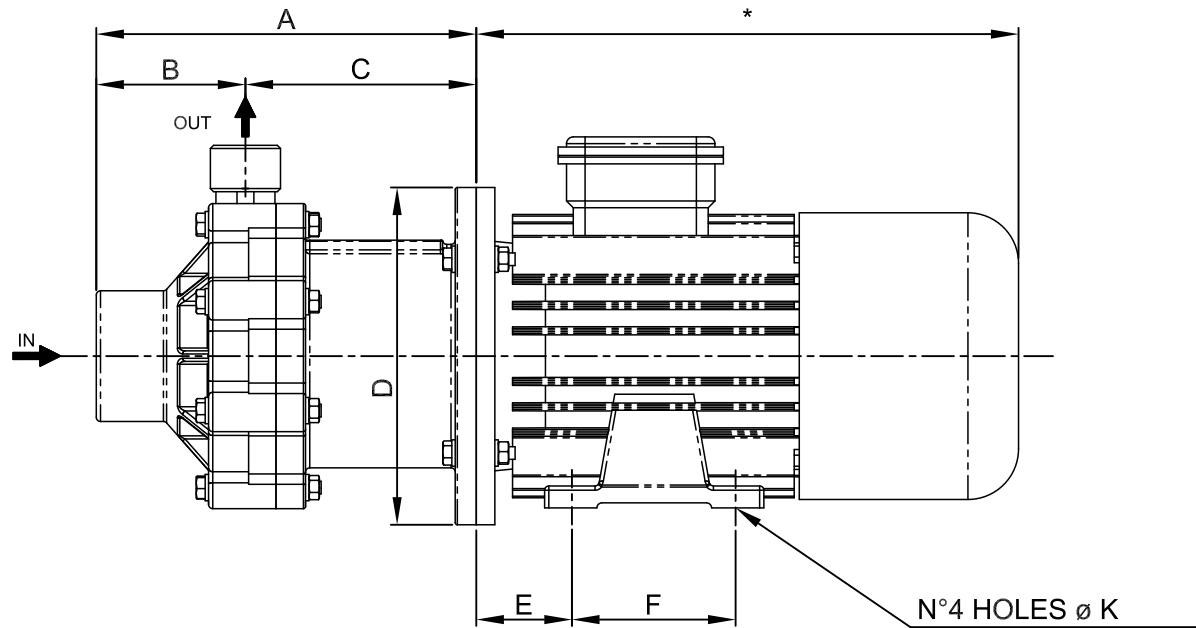


ITEM: Pump model: CM MAG-P30 PP/PVDF

Motor: IEC Gr90 B3-B5  
 Port connection: Threaded  
 Standard: BSP-F UNI ISO 228/1 | NPT-F USAS B2-1/1968

# OUTLINE DRAWING

CODE: D 10269 Rev.:00



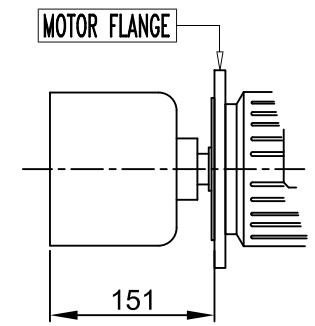
## DIMENSIONS

A	B	C	D	E	F	G	H	I	L	M	N	K
296	91	205	250	63	140	66.5	1-1/2"	140	100	2"	160	12

- This drawing is for reference only
- Pump may be supplied without motor
- All dimensions are in millimeters

\* Depend on the manufacturer

external magnet



ITEM: Pump model: CM MAG-P30 PP/PVDF

Motor: IEC Gr100/112 B3-B5  
 Port connection: Threaded  
 Standard: BSP-F UNI ISO 228/1 | NPT-F USAS B2-1/1968