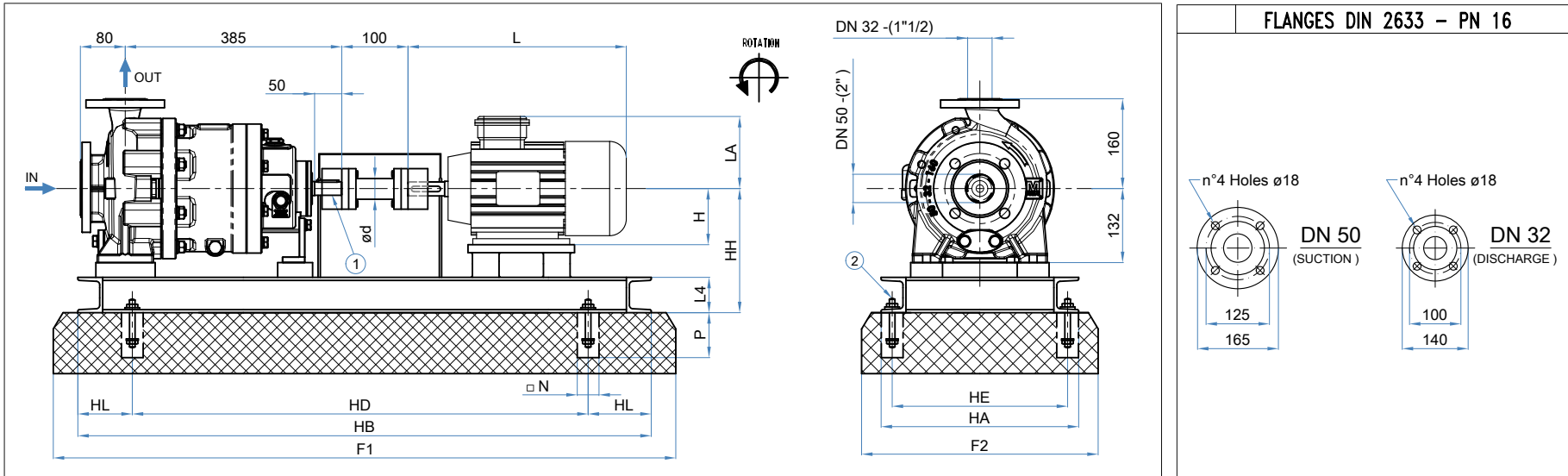
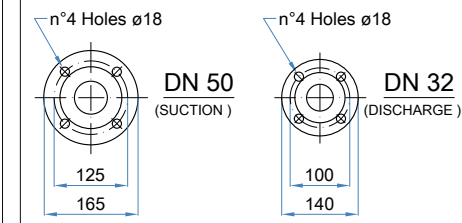


OUTLINE DRAWING

CODE: D13406 Rev.:00



FLANGES DIN 2633 - PN 16



PART. 1		PART. 2		FOOT PRINT SKETCH	PUMP LUBRICATION	WEIGHT (kg)
DIN	ANSI				STANDARD	Pump : 45
					Ball Bearing Greased For Life Interval 20000 hours	Joint : 5
					OPTIONAL	JOINT
					OIL EXXON TERESSO quantity 50 cc - Interval 3000 hours	RU-STEEL AD 31-100

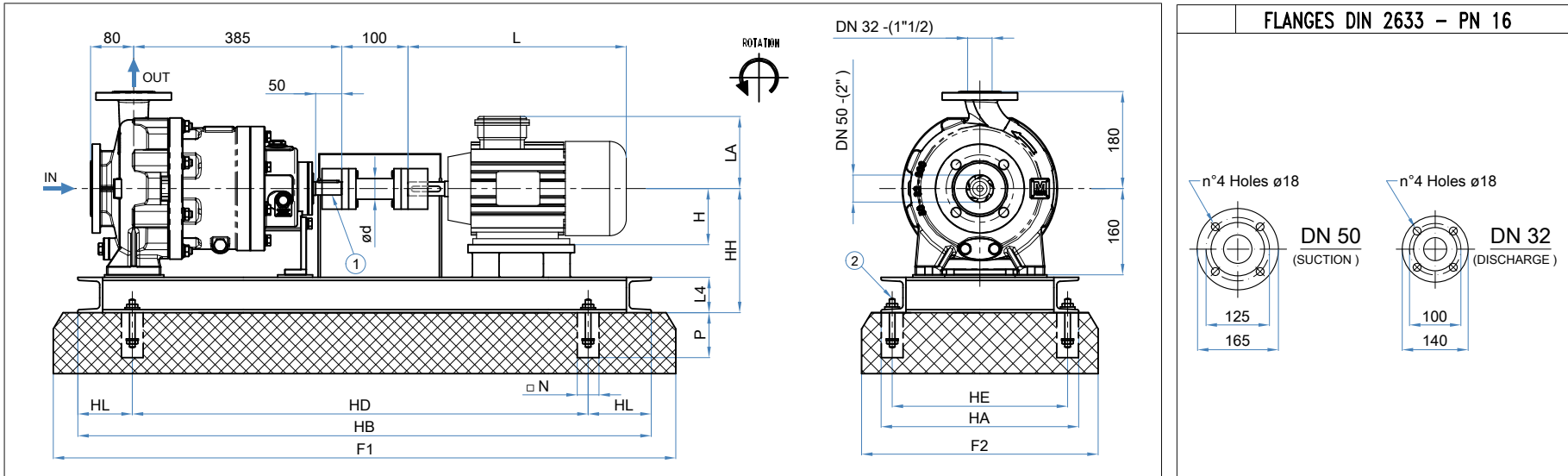
MOTOR	MAX. (Kw)		SHAFT ø d	DIMENSIONS				BASE PLATE N°	BASEPLATE (mm)								FOUNDATION (mm)				BOLTS		
	2P	4P		H	L	LA	LB		HH	HB	HD	HL	HE	HA	L4	N° BOLTS	Weight (Kg)	F1	F2	□ N	P	ød1 x l	m
90 S	1.5	1.1	24	90				2	232	940	580	180	360	400	80	4	--	1100	550	120	250	M14 x 270	40
90 L	2.2	1.5																					
100 L	3.0	2.2 3.0	28	100				2	232	940	580	180	360	400	80	4	--	1100	550	120	250	M14 x 270	40
112 M	4.0	4.0	28	112				2	232	940	580	180	360	400	80	4	--	1100	550	120	250	M14 x 270	40
132 S	5.5 7.5	5.5	38	132				2	232	940	580	180	360	400	80	4	--	1100	550	120	250	M14 x 270	40
132 M	9.2	7.5	38	132				2	232	940	580	180	360	400	80	4	--	1100	550	120	250	M14 x 270	40
160 M	11.0 15.0	/ /	42	160				3	280	1100	700	200			100	4	--	1250				M16 x 270	60

Motor: _____
 Pump model: CL MAG-M 50-32-160

DATE: _____
 ITEM: _____
 PURCHASE ORDER: _____
 CUSTOMER NAME: _____

OUTLINE DRAWING

CODE: D13407 Rev.:00



PART. 1		PART. 2		FOOT PRINT SKETCH	PUMP LUBRICATION	WEIGHT (kg)
DIN	ANSI				STANDARD	Pump : 68
		$\phi d1$	Top of scarf field foundation		Ball Bearing Greased For Life Interval 20000 hours	Joint : 5
		ANCHOR BOLT			OPTIONAL	JOINT
					OIL EXXON TERESSO quantity 50 cc - Interval 3000 hours	RU-STEEL AD 31-100

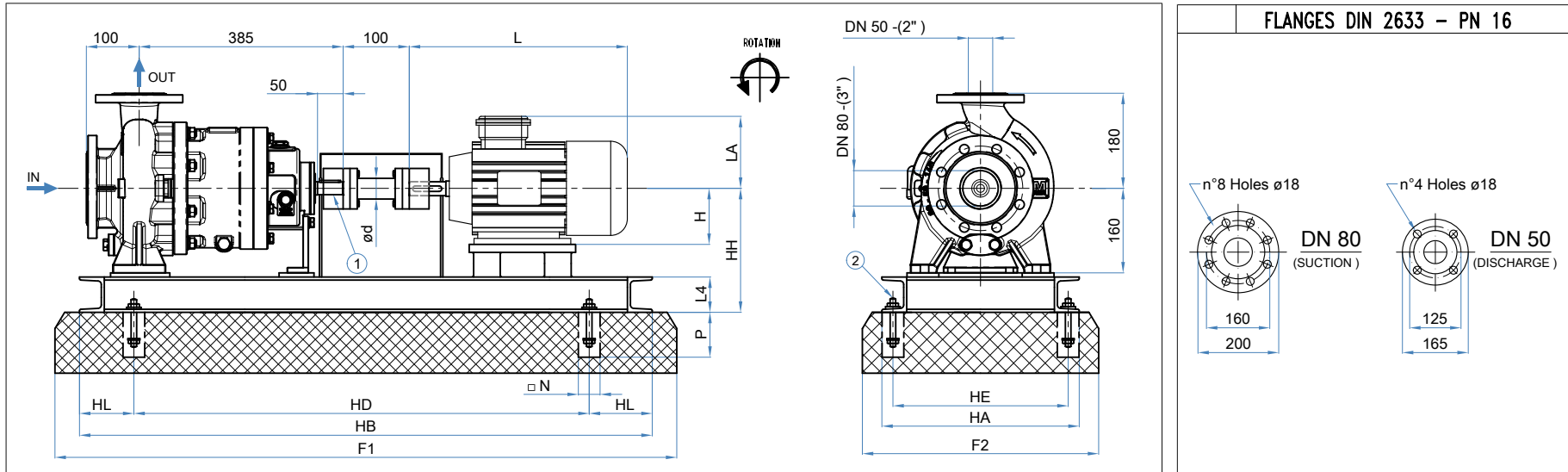
MOTOR	MAX. (Kw)		SHAFT ϕd	DIMENSIONS				BASE PLATE N°	BASEPLATE (mm)								FOUNDATION (mm)				BOLTS		
	2P	4P		H	L	LA	LB		HH	HB	HD	HL	HE	HA	L4	N° BOLTS	Weight (Kg)	F1	F2	$\square N$	P	$\phi d1 \times l$	m
90 S	1.5	1.1	24	90				2	260	940	580	180	360	400	80	4	--	1100	550	120	250	M14 x 270	40
90 L	2.2	1.5																					
100 L	3.0	2.2 3.0	28	100																			
112 M	4.0	4.0	28	112																			
132 S	5.5 7.5	5.5	38	132																			
132 M	9.2	7.5	38	132																			
160 M	11.0 15.0	/ /	42	160				3	280	1100	700	200			100	4	--	1250				M16 x 270	60

Motor: _____
Pump model: CL MAG-M 50-32-200

DATE: _____
ITEM: _____
PURCHASE ORDER: _____
CUSTOMER NAME: _____

OUTLINE DRAWING

CODE: D13408 Rev.:00



PART. 1		PART. 2		FOOT PRINT SKETCH	PUMP LUBRICATION	WEIGHT (kg)
DIN	ANSI		Top of scarf field foundation ANCHOR BOLT		STANDARD Ball Bearing Greased For Life Interval 20000 hours	Pump : 65 Joint : 5
					OPTIONAL OIL EXXON TERESSO quantity 50 cc - Interval 3000 hours	JOINT RU-STEEL AD 31-100

MOTOR	MAX. (Kw)		SHAFT ø d	DIMENSIONS				BASE PLATE N°	BASEPLATE (mm)								FOUNDATION (mm)				BOLTS		
	2P	4P		H	L	LA	LB		HH	HB	HD	HL	HE	HA	L4	N° BOLTS	Weight (Kg)	F1	F2	□ N	P	ød1 x l	m
90 S	1.5	1.1	24	90				2	260	940	580	180	360	400	80	4	--	1100	550	120	250	M14 x 270	40
90 L	2.2	1.5																					
100 L	3.0	2.2 3.0	28	100																			
112 M	4.0	4.0	28	112																			
132 S	5.5 7.5	5.5	38	132																			
132 M	9.2	7.5	38	132																			
160 M	11.0 15.0	/ /	42	160																			
180 M	22	22	48	180				3	280	1100	700	200			100	4	--	1250				M16 x 270	60

Motor:

Pump model: CL MAG-M 80-50-160

DATE:

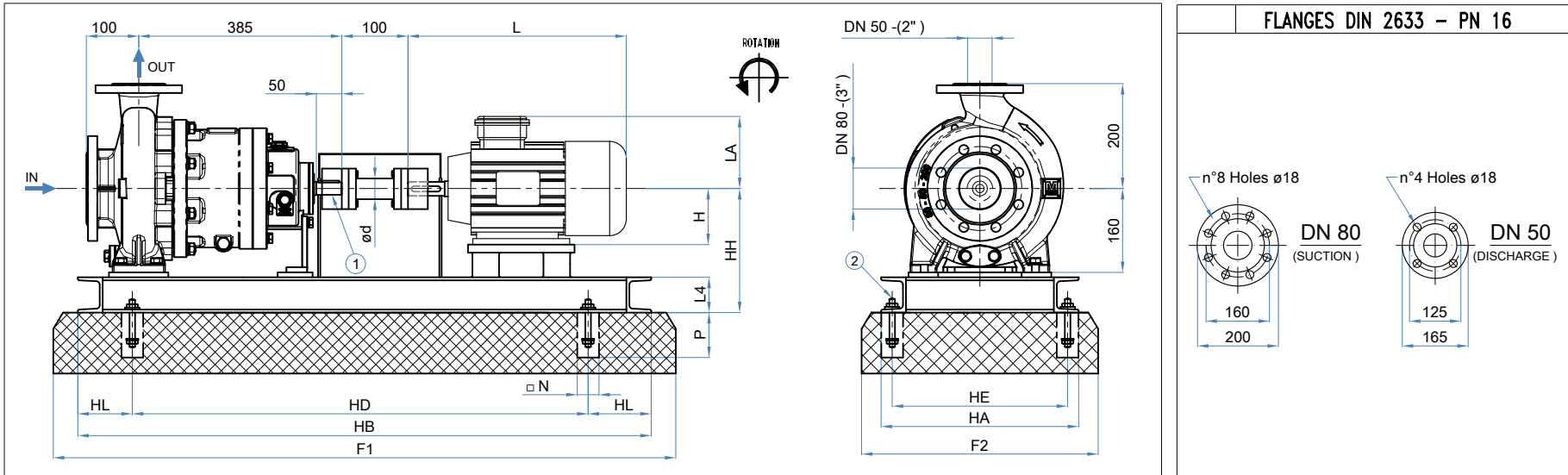
ITEM:

PURCHASE ORDER:

CUSTOMER NAME:

OUTLINE DRAWING

CODE: D13409 Rev.:00



PART. 1		PART. 2		FOOT PRINT SKETCH	PUMP LUBRICATION	WEIGHT (kg)
DIN	ANSI		Top of scarf field foundation ANCHOR BOLT		STANDARD Ball Bearing Greased For Life Interval 20000 hours	Pump : 81 Joint : 5
					OPTIONAL OIL EXXON TERESSO quantity 50 cc - Interval 3000 hours	JOINT RU-STEEL AD 31-100

MOTOR	MAX. (Kw)		SHAFT Ø d	DIMENSIONS				BASE PLATE N°	BASEPLATE (mm)								FOUNDATION (mm)				BOLTS		
	2P	4P		H	L	LA	LB		HH	HB	HD	HL	HE	HA	L4	N° BOLTS	Weight (Kg)	F1	F2	□ N	P	Ød1 x l	m
90 S	1.5	1.1	24	90				2	260	940	580	180	360	400	80	4	--	1100	550	120	250	M14 x 270	40
90 L	2.2	1.5																					
100 L	3.0	2.2 3.0	28	100																			
112 M	4.0	4.0	28	112																			
132 S	5.5 7.5	5.5	38	132																			
132 M	9.2	7.5	38	132																			
160 M	11.0 15.0	/ /	42	160				3	280	1100	700	200			100	4	--	1250				M16 x 270	60

Motor:

Pump model: CL MAG-M 80-50-200

DATE:

ITEM:

PURCHASE ORDER:

CUSTOMER NAME: