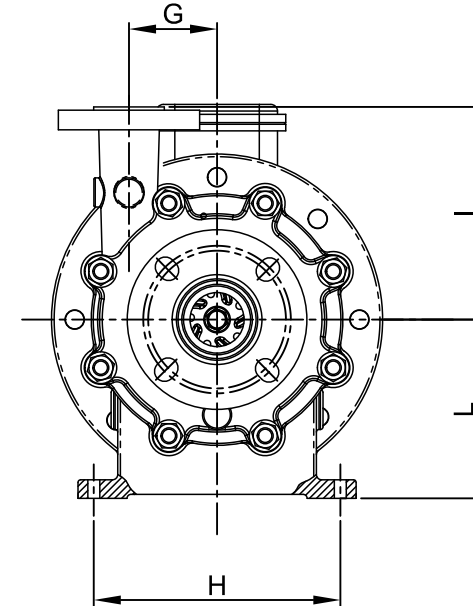
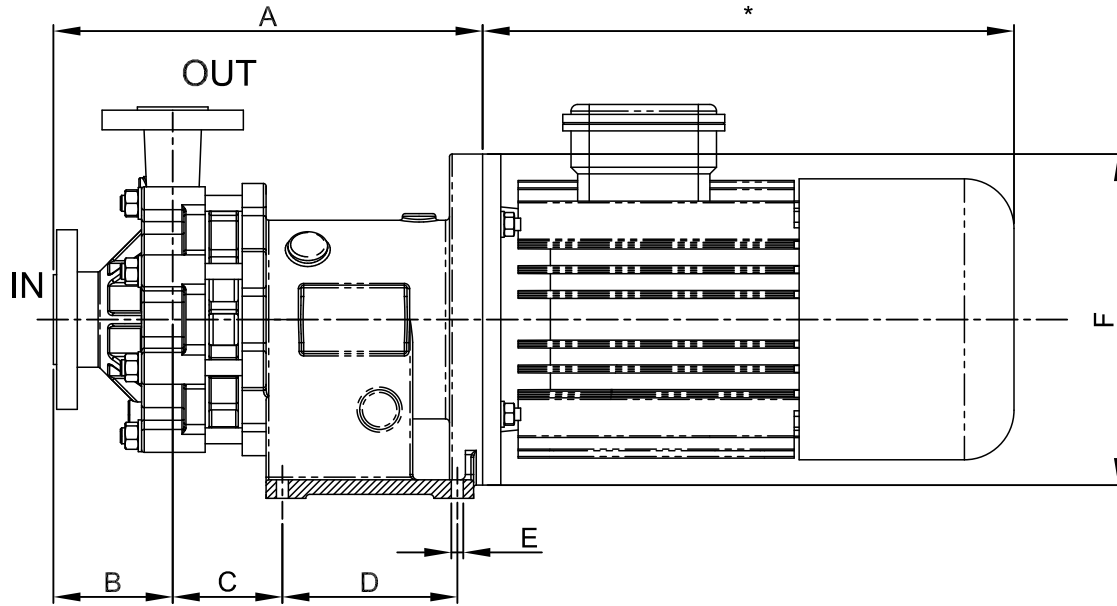


OUTLINE DRAWING

CODE: D 13086 Rev.:00



ITEM: Pump model: CM MAG-M06

DIMENSIONS

A	B	C	D	E	F	G	H	I	L
230	74	60	80	9	160	46	140	96	84

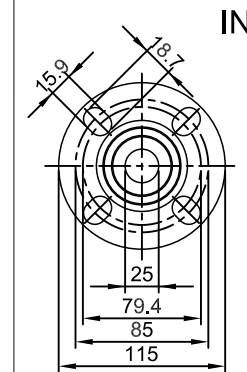
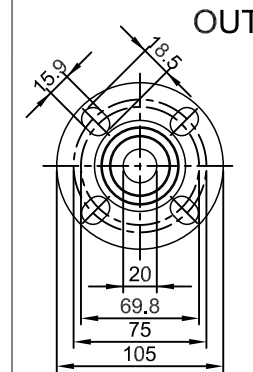
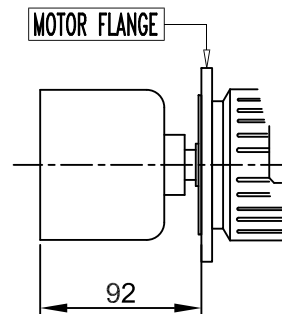
- This drawing is for reference only

- Pump may be supplied without motor

- All dimensions are in millimeters

* Depend on the manufacturer

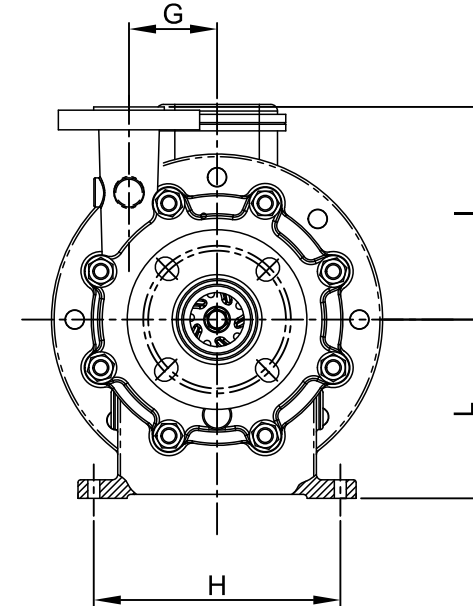
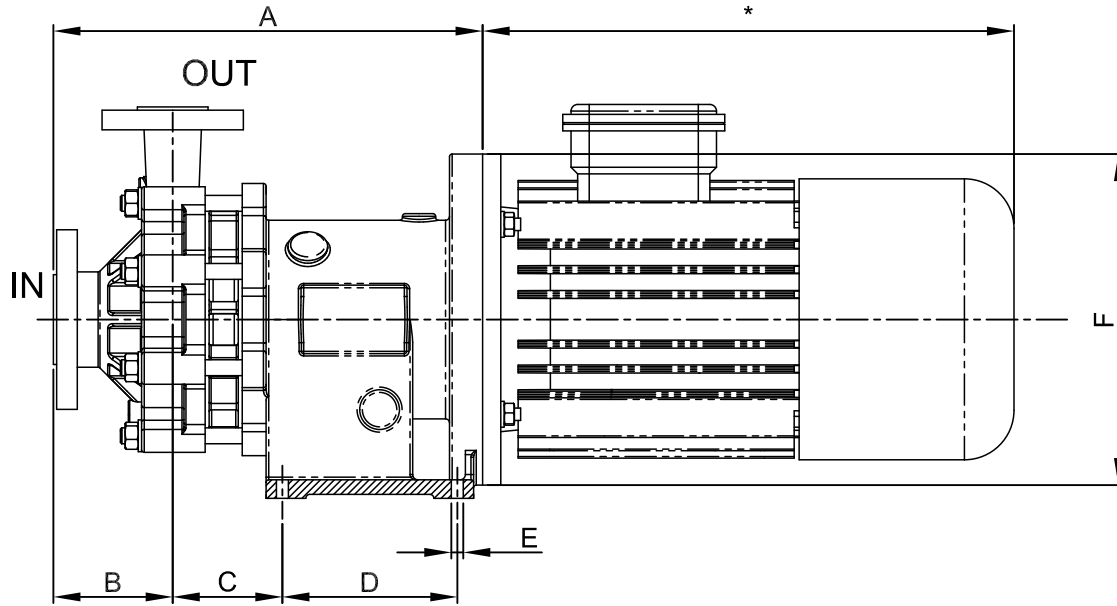
external magnet



Motor: IEC Gr71 B5
 Port connections: Universal Flanged
 Standard: ANSI (ASA) B16.5 150 lbs / UNI 2282-67 PN.16

OUTLINE DRAWING

CODE: D 13087 Rev.:00



ITEM: Pump model: CM MAG-M1

DIMENSIONS

A	B	C	D	E	F	G	H	I	L
275	89	60.8	105	11	200	44	165	105	103

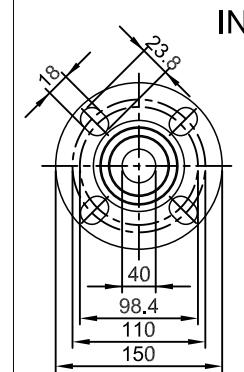
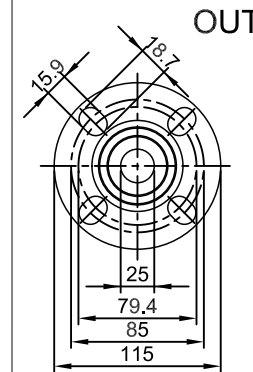
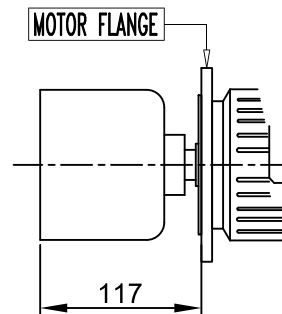
- This drawing is for reference only

- Pump may be supplied without motor

- All dimensions are in millimeters

* Depend on the manufacturer

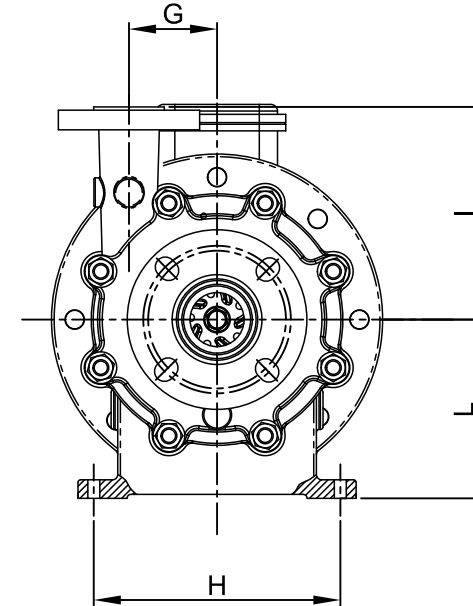
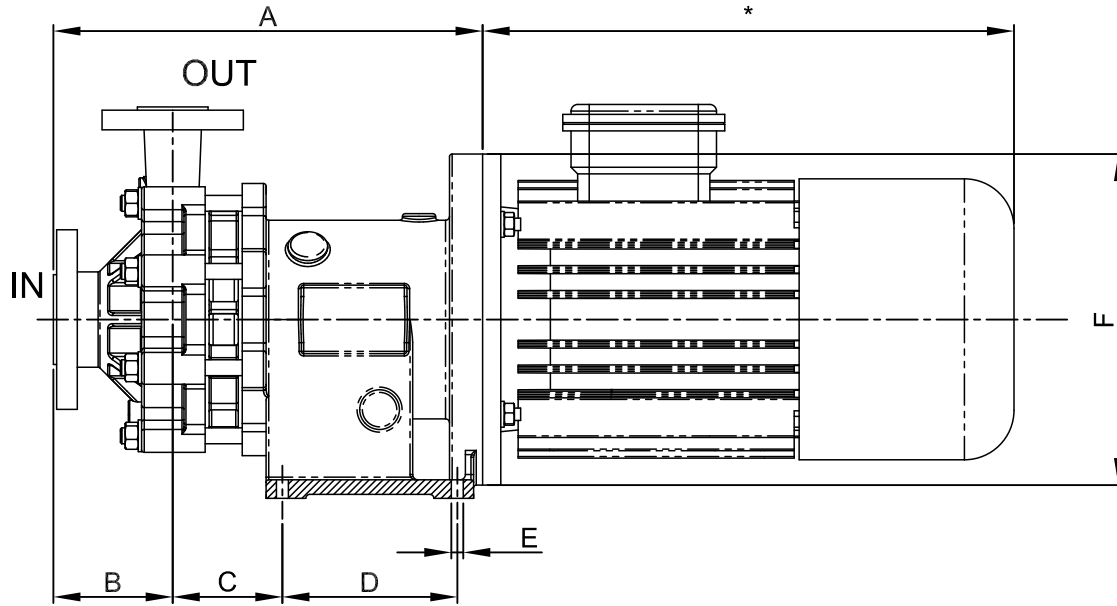
external magnet



Motor: IEC Gr80 B5
 Port connections: Universal Flanged
 Standard: ANSI (ASA) B16.5 150 lbs / UNI 2282-67 PN.16

OUTLINE DRAWING

CODE: D 13088 Rev.:00



ITEM: Pump model: CM MAG-M2

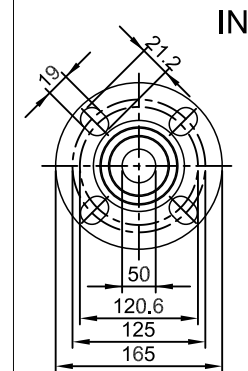
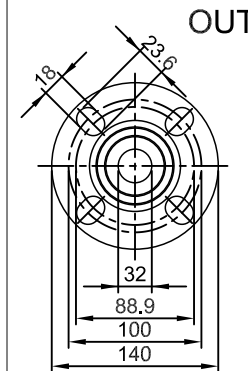
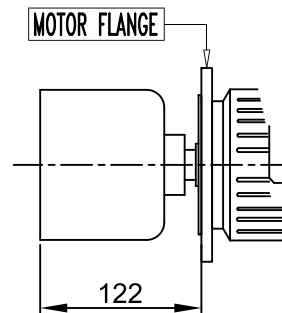
DIMENSIONS

A	B	C	D	E	F	G	H	I	L
305.3	100	74.5	109	11	200	62	180	130	103

- This drawing is for reference only
- Pump may be supplied without motor
- All dimensions are in millimeters

* Depend on the manufacturer

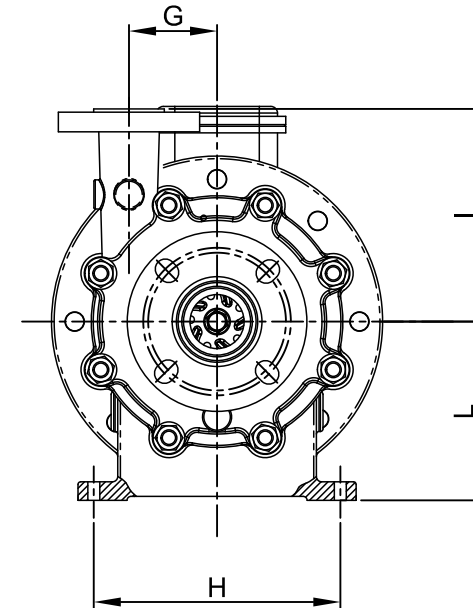
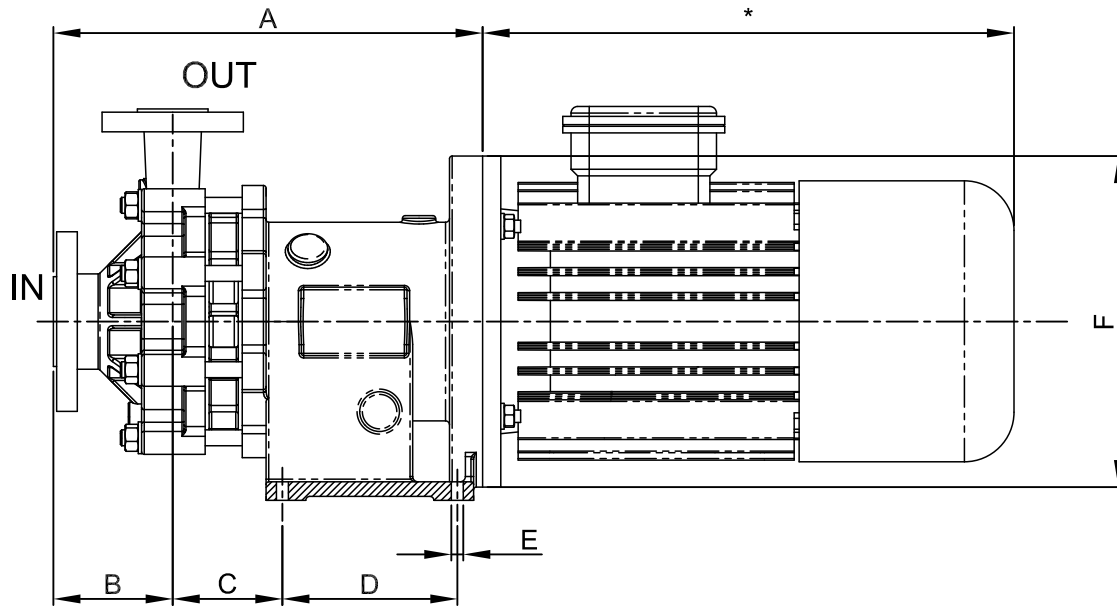
external magnet



Motor: IEC Gr90 B5
 Port connections: Universal Flanged
 Standard: ANSI (ASA) B16.5 150 lbs / UNI 2282-67 PN.16

OUTLINE DRAWING

CODE: D 13089 Rev.:00



ITEM: Pump model: CM MAG-M3

DIMENSIONS

A	B	C	D	E	F	G	H	I	L
340	106	85.5	126.7	11	250	66.5	180	147	135

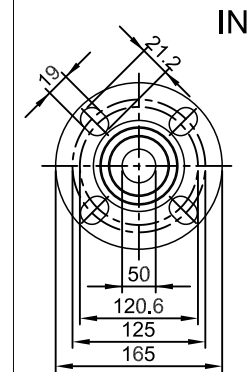
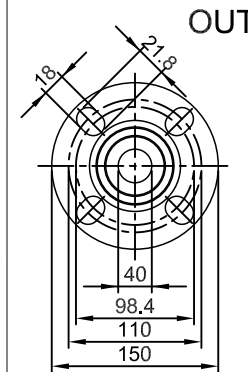
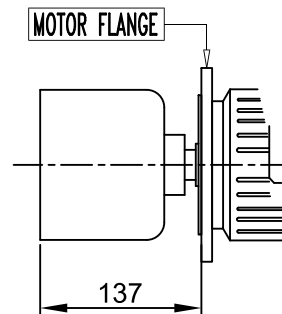
- This drawing is for reference only

- Pump may be supplied without motor

- All dimensions are in millimeters

* Depend on the manufacturer

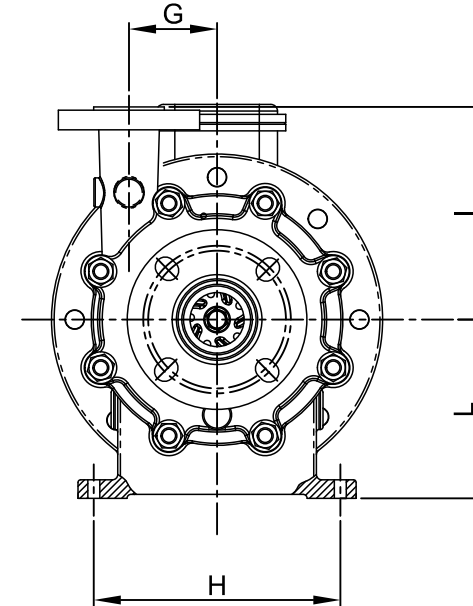
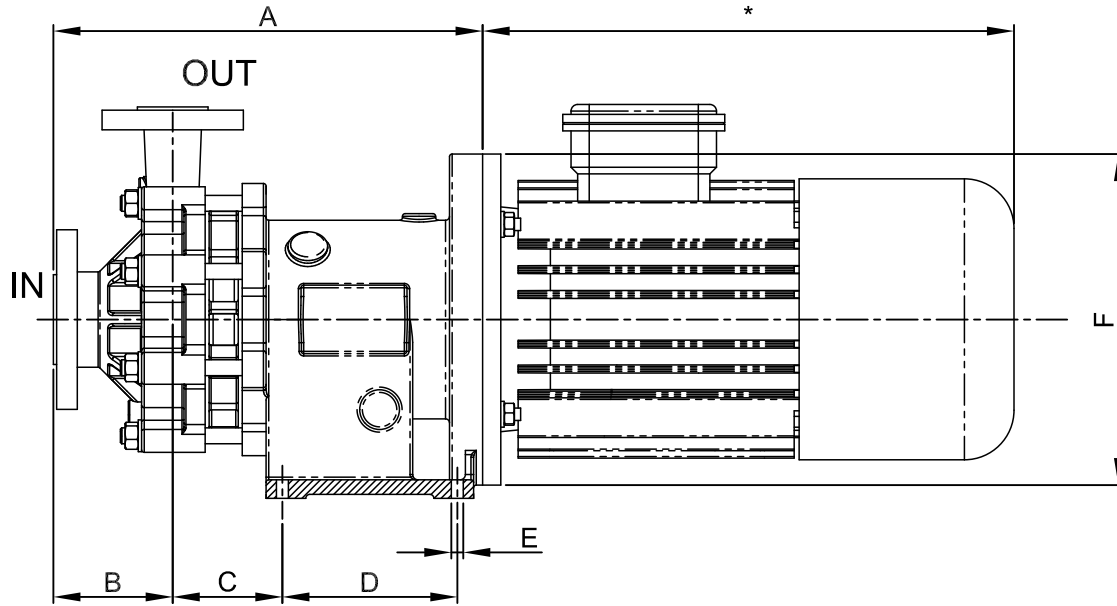
external magnet



Motor: IEC Gr100/112 B5
 Port connections: Universal Flanged
 Standard: ANSI (ASA) B16.5 150 lbs / UNI 2282-67 PN.16

OUTLINE DRAWING

CODE: D 13090 Rev.:00



ITEM: Pump model: CM MAG-M4

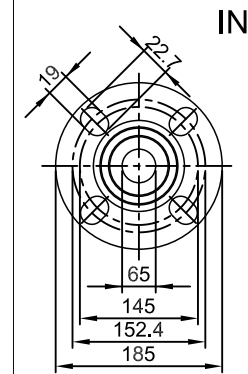
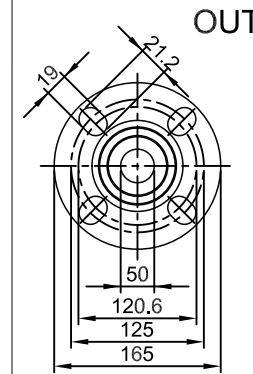
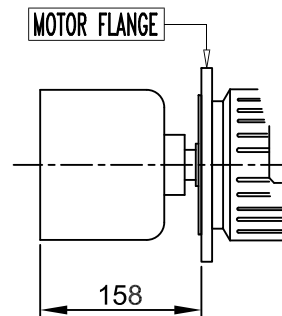
DIMENSIONS

A	B	C	D	E	F	G	H	I	L
357.5	86	94	141.5	14	300	80	215	170	155

- This drawing is for reference only
- Pump may be supplied without motor
- All dimensions are in millimeters

* Depend on the manufacturer

external magnet



Motor: IEC Gr132 B5
 Port connections: Universal Flanged
 Standard: ANSI (ASA) B16.5 150 lbs / UNI 2282-67 PN.16