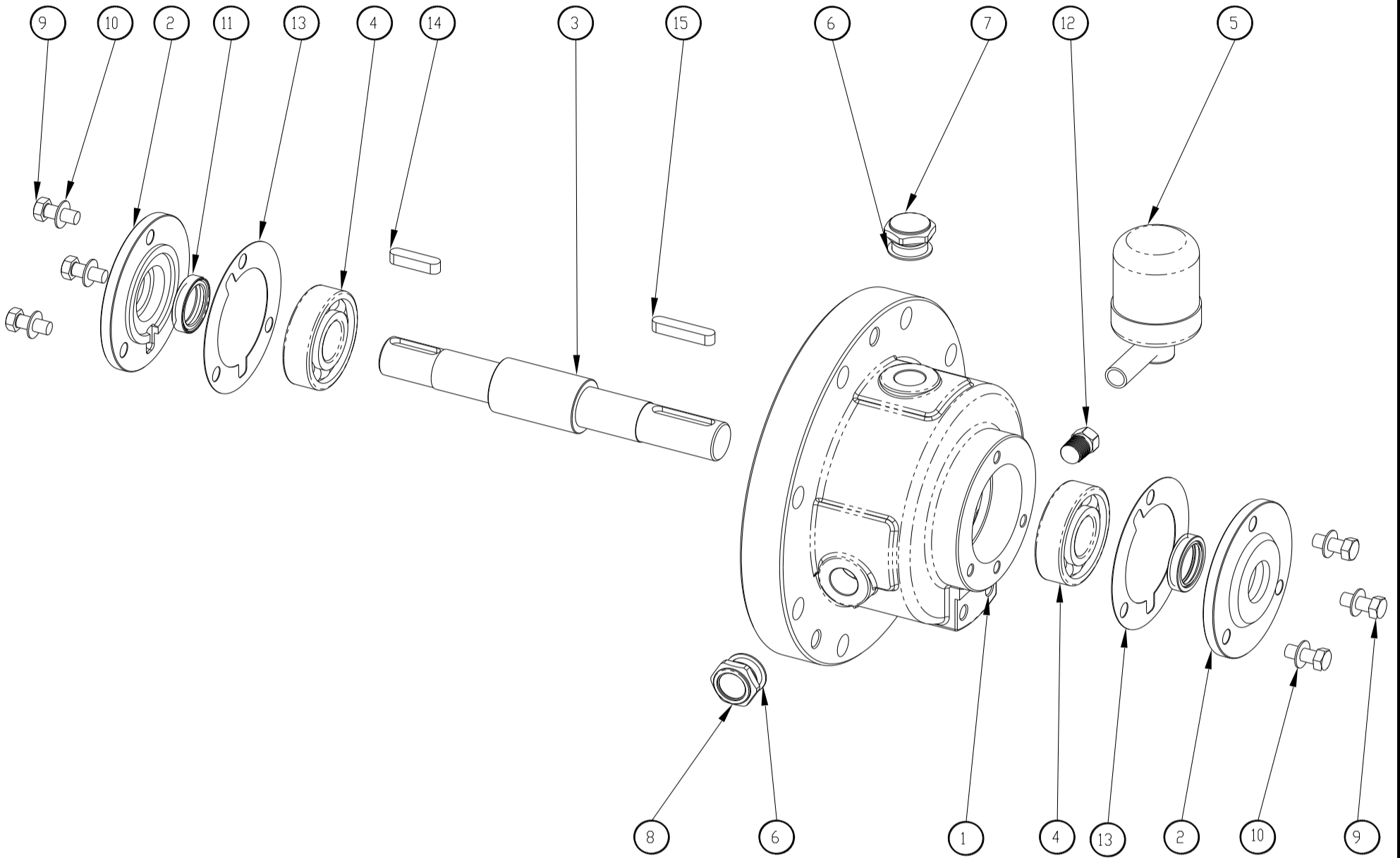




PUMP MODEL: CN MAG-M 1^Range
 ITEM: BARE SHAFT EXPLODED VIEWS
 CODE: 55220C003A91

E10562



EXPLODED VIEW

N°	DESCRIPTION		IDENTIFICATION		
			COMPONENT CODE	MATERIAL	QUANTITY
1	Bearing frame	1^R	50510C091	WCB	1
2	Bearing cover	1^R	55510C001	Aluminium	2
3	BF Shaft	1^R	55010C01A	AISI 420B	1
4	Bearing	SKF 6305 C3	91010A6305	Bearing Steel	2
5	Constant Level oiler	¼"NPT 120ml	91910014NV0120	Fe Zinc	1
6	Plug Gasket	½"	91510A260210	Asbestos Free	2
7	Refill Plug	½" BSP	9315012MAS	Aluminium	1
8	Eye Plug	½" BSP	9315012MAI	Aluminium	1
9	Screw UNI24017	M8X20	91610TE820A2	A2-70	6
10	Washer UNI 1751	D.8x14	91630S0814A2	A2-70	6
11	Lip Seal	BASL 25x35x7	92110V25357	VITON	2
12	Drain Plug	¼" BSP	9315014MCG	Fe Zinc	1
13	Bearing Cover gasket	1^R	91510A0950620	Asbestos Free	2
14	Key UNI 6604	8X7X32	91640A8732A2	A2-70	1
15	Key UNI 6604	8X7X40	91640A8740A2	A2-70	1

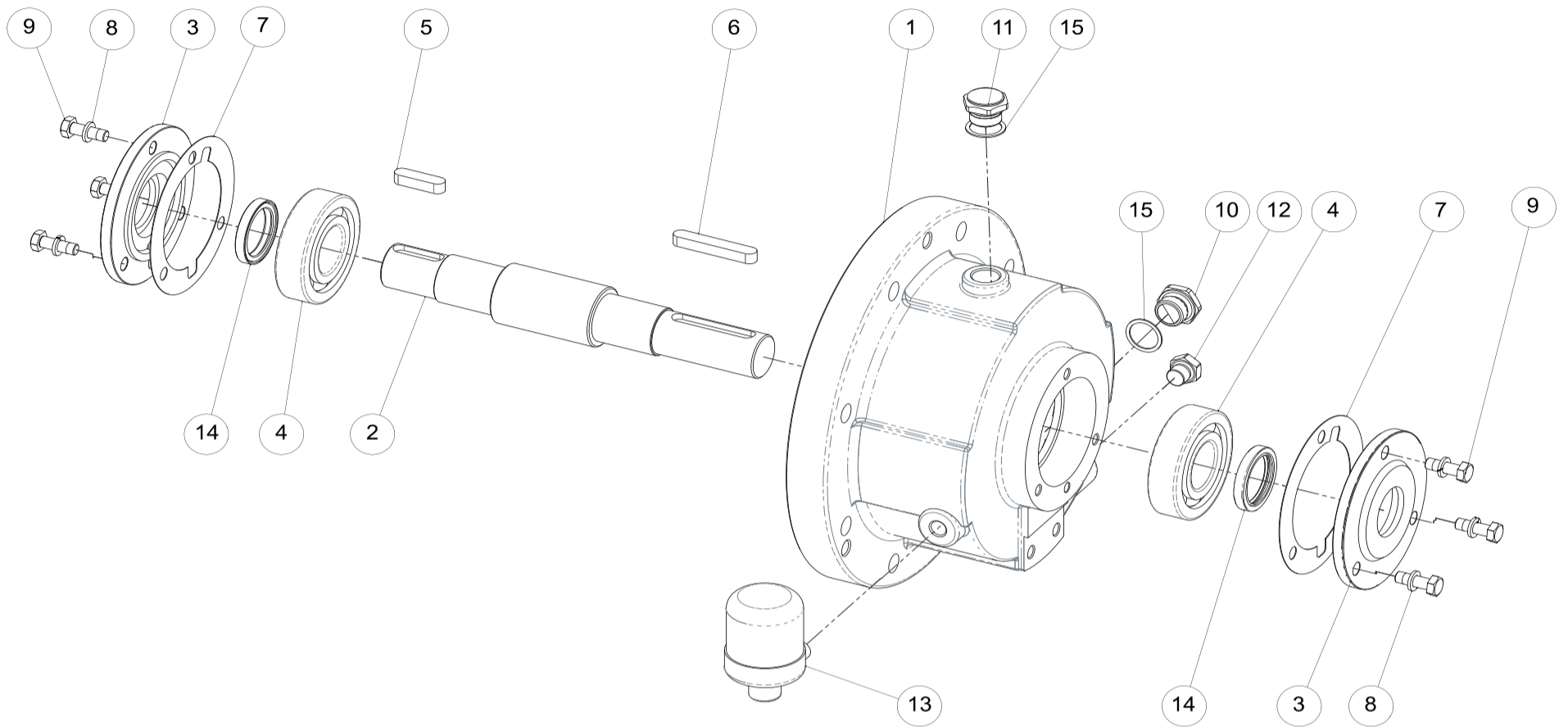


PUMP MODEL: CN MAG-M 2^Range

ITEM: BARE SHAFT EXPLODED VIEWS

CODE:55220C003D92

E10563



EXPLODED VIEW

N°	DESCRIPTION		IDENTIFICATION		
			COMPONENT CODE	MATERIAL	QUANTITY
1	Bearing frame	2^R	50510C092	WCB	1
2	BF Shaft	2^R	55010C02A	AISI 420B	1
3	Bearing cover	2^R	55510C002	Alluminium	2
4	Bearing	SKF 6307	91010A6307	Bearing Steel	2
5	Key UNI 6604	10x8x36	91640A10855A2	A2-70	1
6	Key UNI 6604	10x8x60	91640A10860A2	A2-70	1
7	Bearing Cover Gasket	2^R	91510A1130800	Asbestos Free	2
8	Washer UNI 1751	D.8x14	91630S0814A2	A2-70	6
9	Screw UNI24017	M8X25	91610TE825A2	A2-70	6
10	Eye Plug	½"BSP	9315012MAI	Alluminium	1
11	Refill Plug	½"BSP	9315012MAS	Alluminium	1
12	Drain Plug	¼"BSP	9315014MCG	Fe Zinc	1
13	Constant Level oiler	¼"NPT 120ml	91910014NV0120	Fe Zinc	1
14	Lip Seal	BASL 35x47x7	92110V35477	VITON	2
15	Plug Gasket	½"	91510A260210	Asbestos Free	2

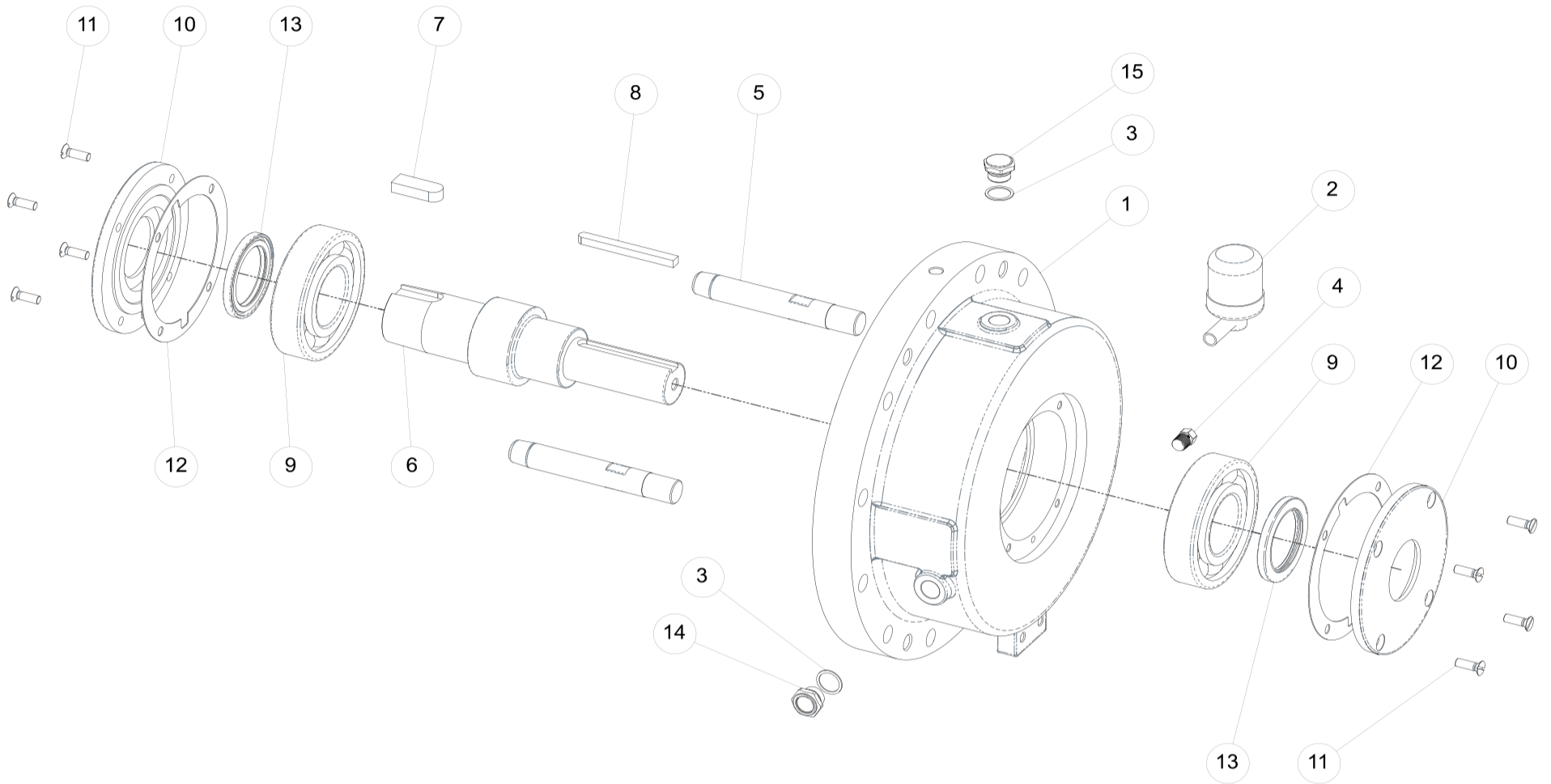


PUMP MODEL: CN MAG-M 3^Range

ITEM: BARE SHAFT EXPLODED VIEWS

CODE:55220C010D93

E10564



EXPLODED VIEW

N°	DESCRIPTION		IDENTIFICATION		
			COMPONENT CODE	MATERIAL	QUANTITY
1	Bearing frame	3^R	50510C093	WCB	1
2	Constant Level oiler	¼"NPT 120ml	91910014NV0120	Fe Zinc	1
3	Plug Gasket	½"	91510A260210	Asbestos Free	2
4	Drain Plug	¼"NPT	9315014MA	AISI 316	1
5	Guide Pins	Ø25x170	96610D0250170A	AISI420B	2
6	BF Shaft	3^R	55010C03A	AISI420B	1
7	Special Key	18X11X47	51640A181147A2S	A2-70	1
8	Key UNI 6604	12X8X100	91640A128100A2	A2-70	1
9	Bearing	SKF 6312	91010A6312	Bearing Steel	2
10	Bearing Cover	3^R	55510C003	Fe 430	2
11	Screw UNI5933	M8x30	91610TSEI830A2	A2-70	8
12	Bearing Cover Gasket	3^R	91510A16701300	Asbestos Free	2
13	Lip seal	BASL 60x85x8	92110V60858	Viton	2
14	Eye Plug	½" BSP	9315012MAI	Aluminium	1
15	Refill Plug	½" BSP	9315012MAS	Aluminium	1