

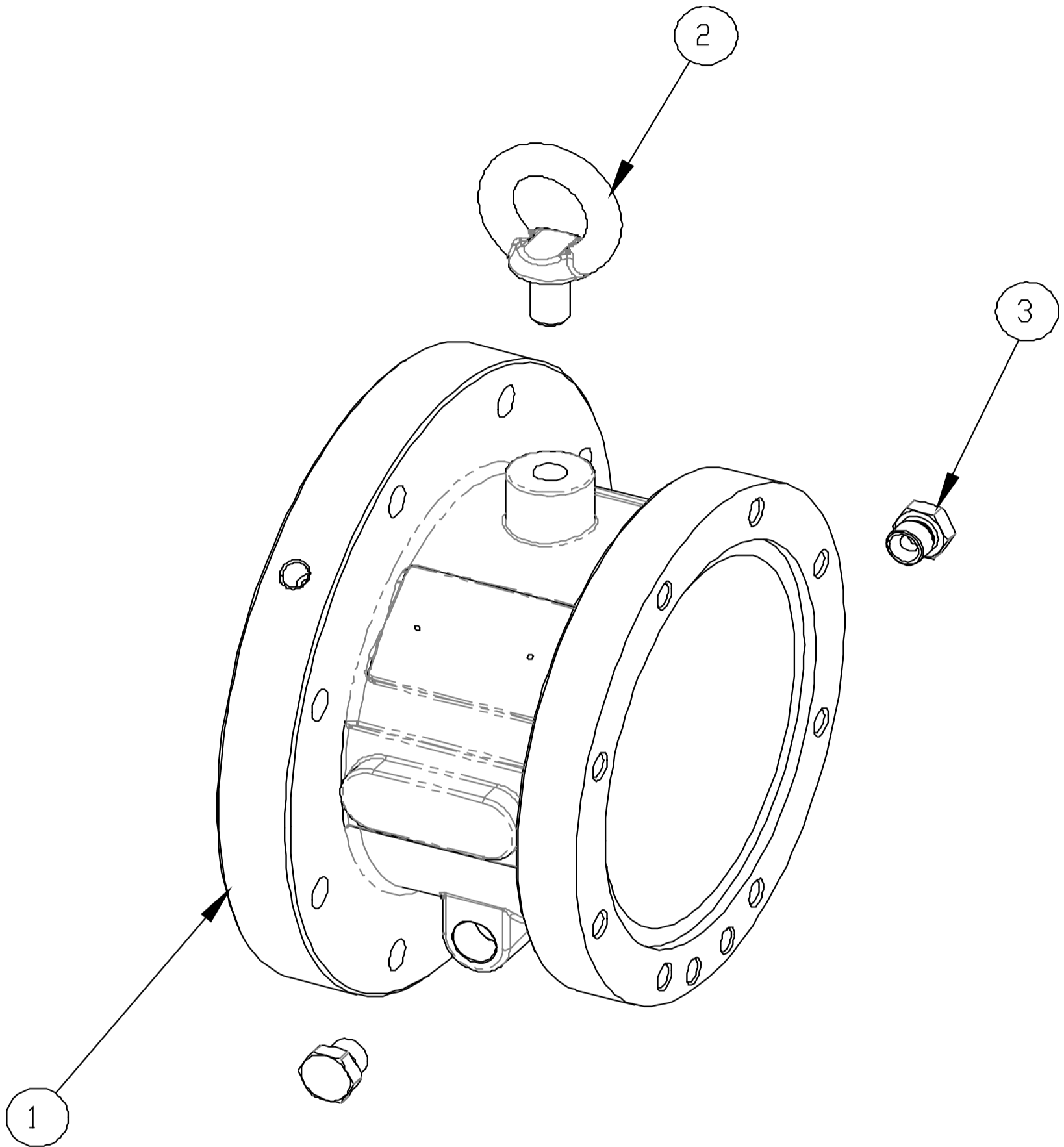


PUMP MODEL: CN MAG-M 1^Range

ITEM: BRACKET ASSEMBLY EXPLODED VIEWS

CODE: /

E10994



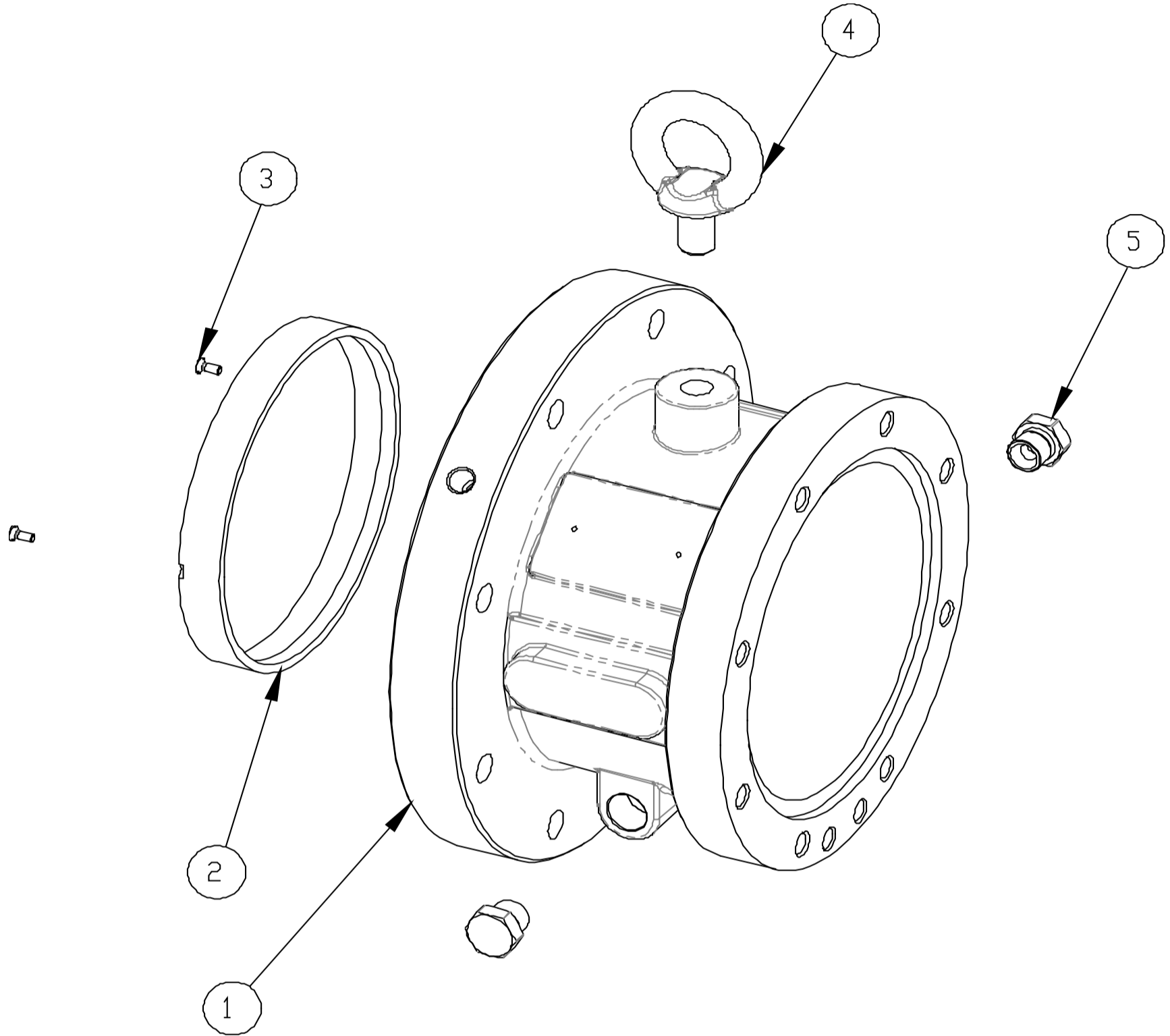
EXPLODED VIEW

N°	DESCRIPTION			IDENTIFICATION		
	COMPONENT	MODEL	FLANGE CONNECTIONS	COMPONENT CODE	MATERIAL	QUANTITY
1	Bracket		XX-125	56110C003A10C	WCB	1
			XX-160			
			XX-200	56110C003C10C		
2	Eye bolt		M16	91615M16	Fe-Zinc	1
3	Drain plug		3/8" BSP	9315038MCG	Fe-Zinc	2



PUMP MODEL: CN MAG-M 1^Range
 ITEM: BRACKET ATEX ASSEMBLY EXPLODED VIEWS
 CODE: /

E10995



EXPLODED VIEW

N°	DESCRIPTION		IDENTIFICATION		
	COMPONENT	MODEL	COMPONENT CODE	MATERIAL	QUANTITY
1	Bracket	XX-125	56110C003A10C	WCB	1
		XX-160			
		XX-200	56110C003C10C		
2	Rub ring	1^R	50150C0168B	Bronze	1
3	Screw	M4x10	91610TS4110A2	A2-70	2
4	Eye bolt	M16	91615M16	Fe-Zinc	1
5	Drain plug	3/8"BSP	9315038MCG	Fe-Zinc	2

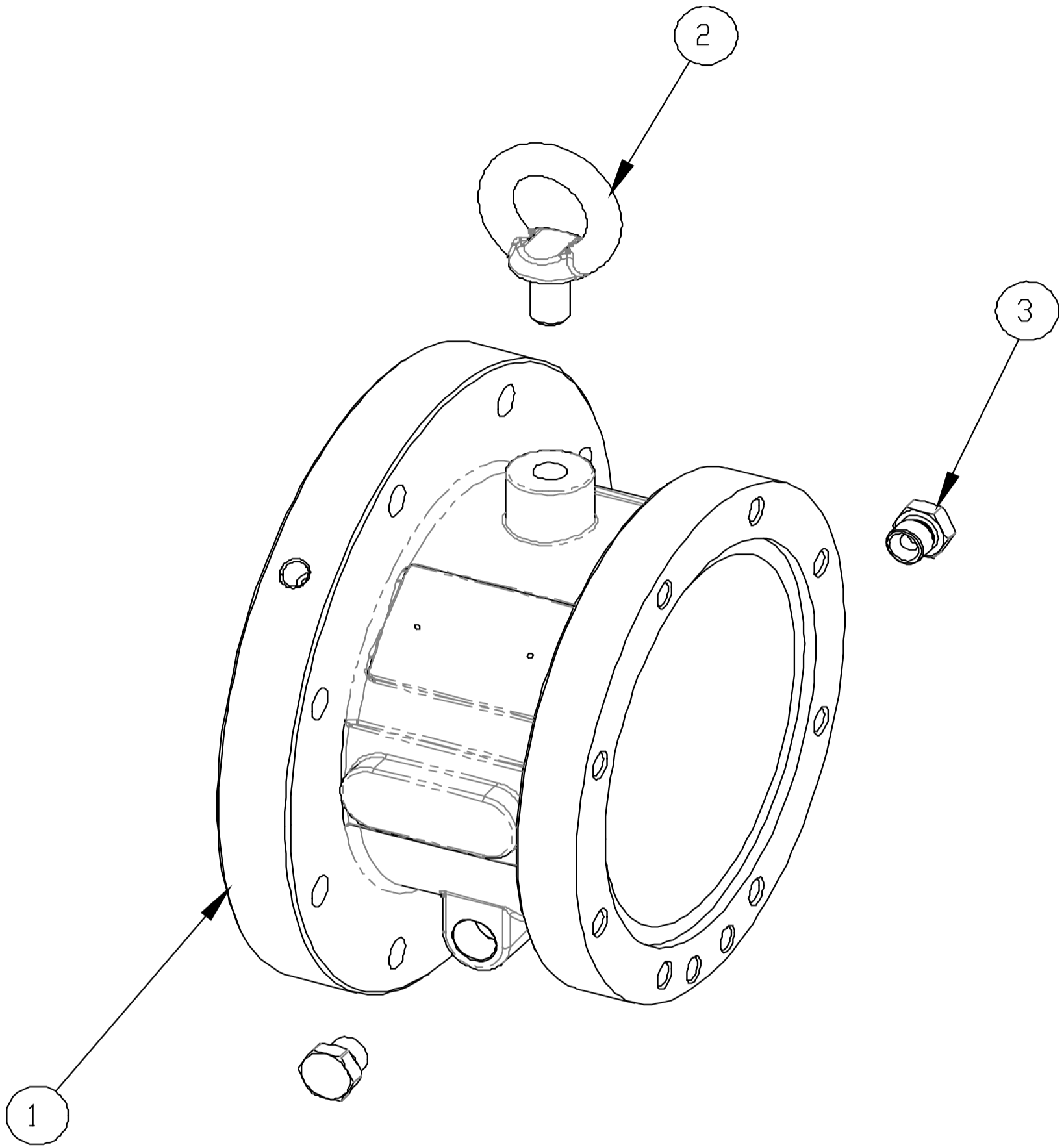


PUMP MODEL: CN MAG-M 2^Range

ITEM: BRACKET ASSEMBLY EXPLODED VIEWS

CODE: /

E10996



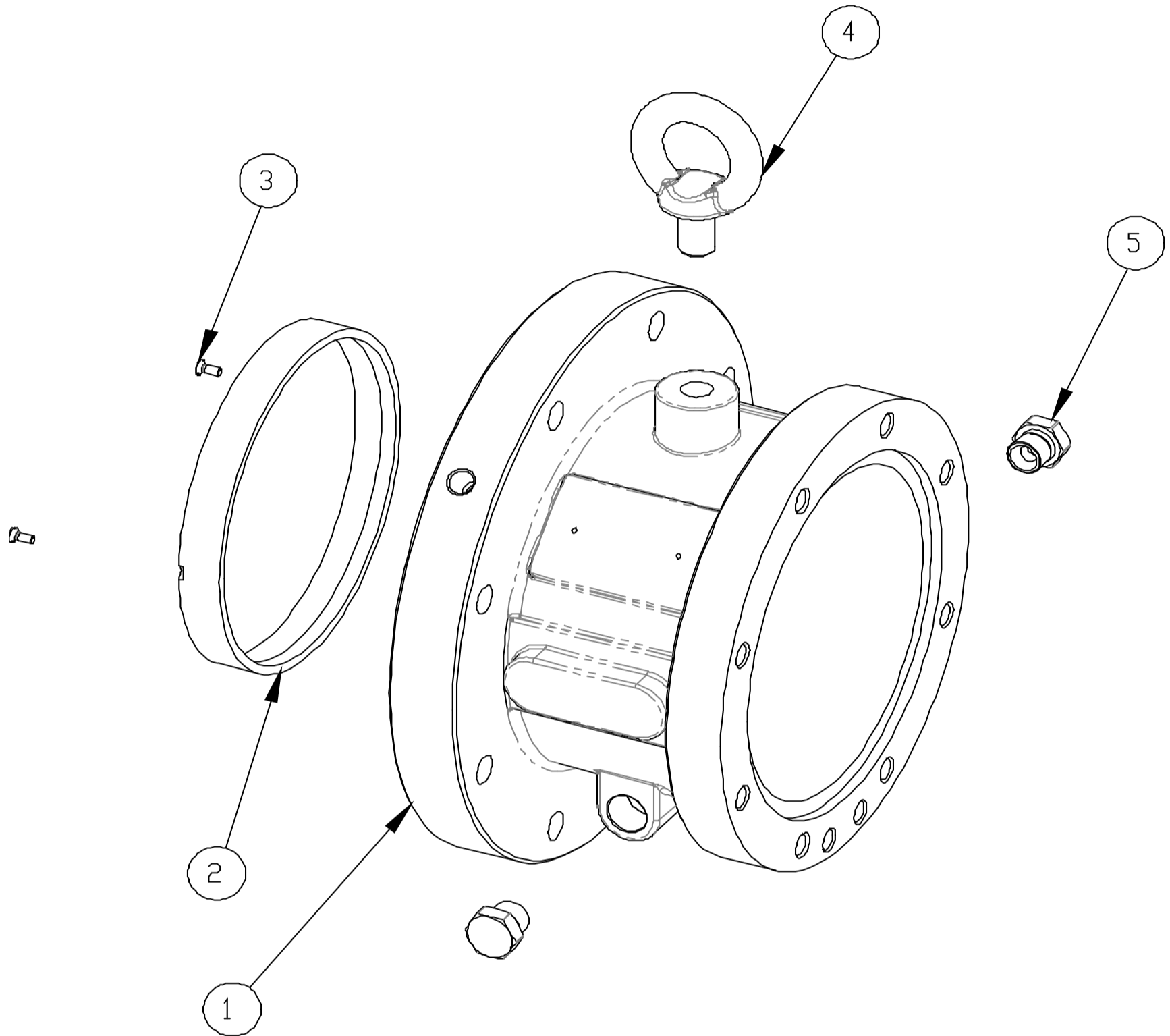
EXPLODED VIEW

N°	DESCRIPTION			IDENTIFICATION		
	COMPONENT	MODEL	FLANGE CONNECTIONS	COMPONENT CODE	MATERIAL	QUANTITY
1	Bracket		xx-160	56110C006B92C	WCB	1
			xx-200			
			xx-250	56110C003D92C		
			xx-315	56110C004E92C		
2	Eye bolt		M16	91615M16	Fe-Zinc	1
3	Drain plug		1/2" BSP	9315012MCG	Fe-Zinc	2



PUMP MODEL: CN MAG-M 2^Range
 ITEM: BRACKET ATEX ASSEMBLY EXPLODED VIEWS
 CODE: /

E10997



EXPLODED VIEW

N°	DESCRIPTION		IDENTIFICATION		
	COMPONENT	MODEL	COMPONENT CODE	MATERIAL	QUANTITY
1	Bracket	XX-160	56110C006B92C	WCB	1
		XX-200			
		XX-250	56110C003D92C		
		XX-315	56110C004E92C		
2	Rub ring	2^R	50150C0205B	Bronze	1
3	Screw	M4x10	91610TS4110A2	A2-70	2
4	Eye bolt	M16	91615M16	Fe-Zinc	1
5	Drain plug	1/2"BSP	9315012MCG	Fe-Zinc	2

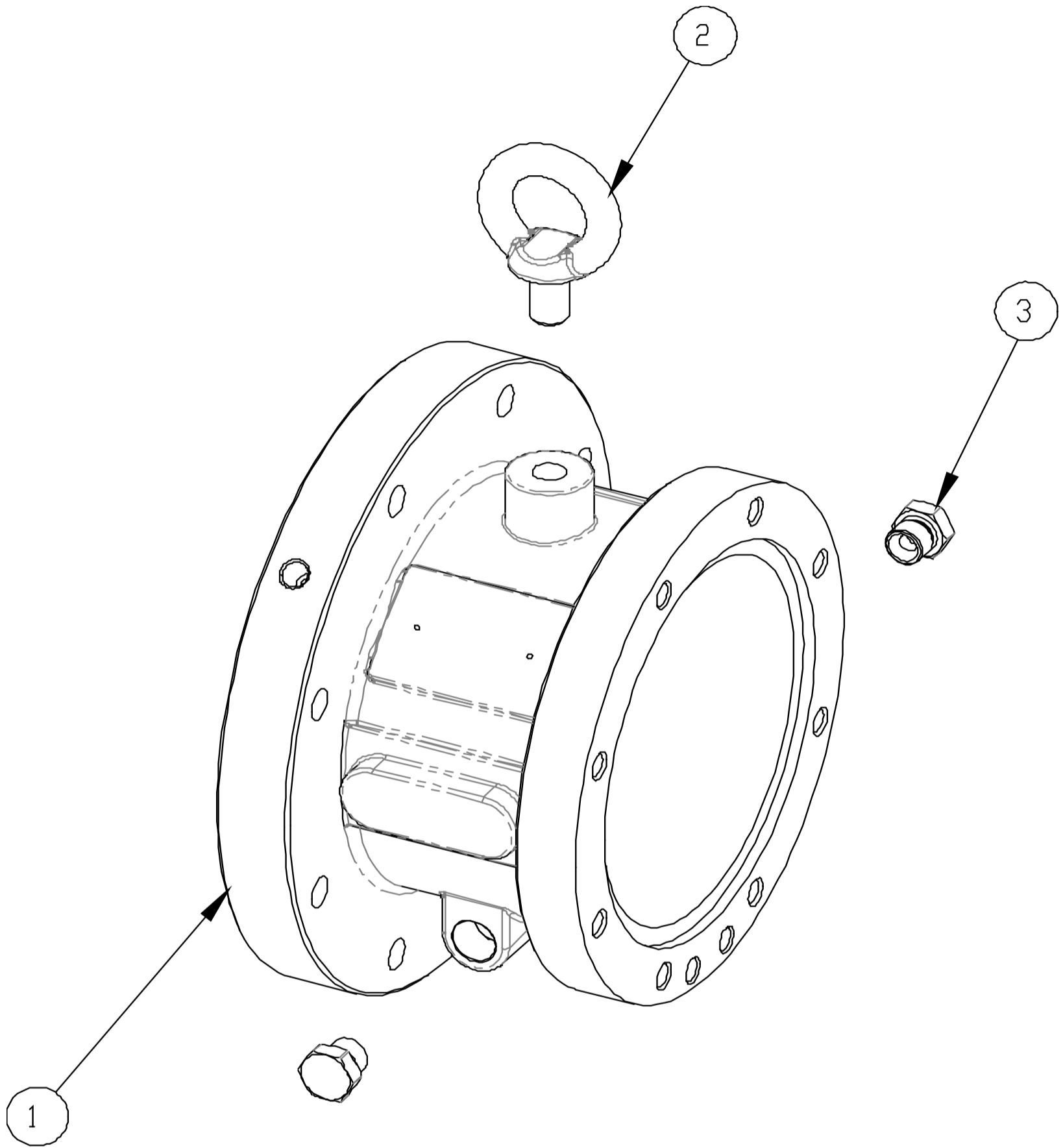


PUMP MODEL: CN MAG-M 3^Range

ITEM: BRACKET ASSEMBLY EXPLODED VIEWS

CODE: /

E10998



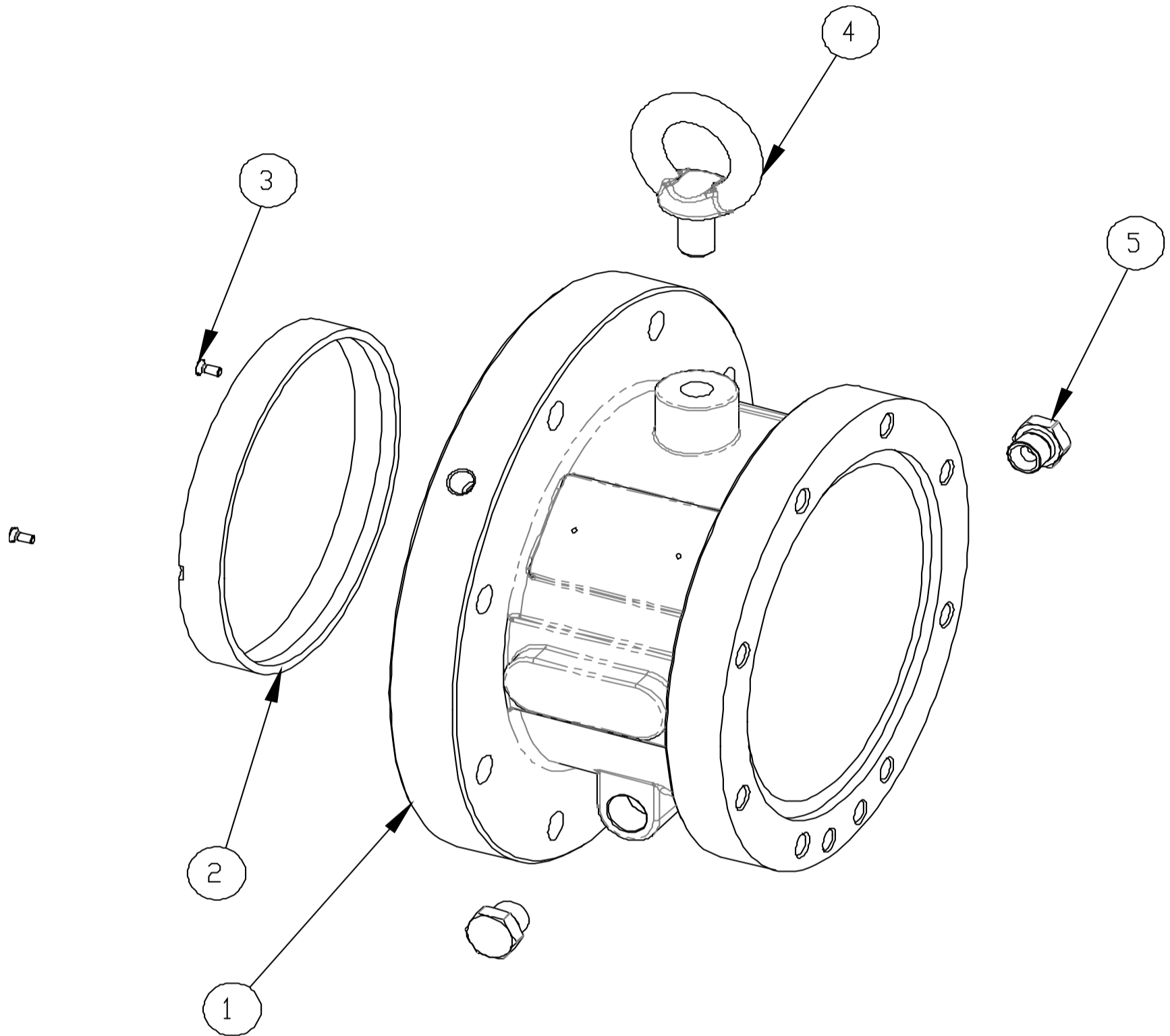
EXPLODED VIEW

N°	DESCRIPTION			IDENTIFICATION		
	COMPONENT	MODEL	FLANGE CONNECTIONS	COMPONENT CODE	MATERIAL	QUANTITY
1	Bracket	XX-250		56110C012C93C	WCB	1
		XX-315				
		XX-400				
2	Eye bolt	M20		91615M20	Fe-Zinc	1
3	Drain plug	1/2" BSP		9315012MCG	Fe-Zinc	2



PUMP MODEL: CN MAG-M 3^Range
 ITEM: BRACKET ATEX ASSEMBLY EXPLODED VIEWS
 CODE: /

E10999



EXPLODED VIEW

N°	DESCRIPTION		IDENTIFICATION		
	COMPONENT	MODEL	COMPONENT CODE	MATERIAL	QUANTITY
1	Bracket	XX-250	56110C012C93C	WCB	1
		XX-315			
		XX-400	56110C008F93C		
2	Rub ring	3^R	50150C0318B	Bronze	1
3	Screw	M6x16	91610TSEI616A2	A2-70	2
4	Eye bolt	M20	91615M20	Fe-Zinc	1
5	Drain plug	1/2"BSP	9315012MCG	Fe-Zinc	2