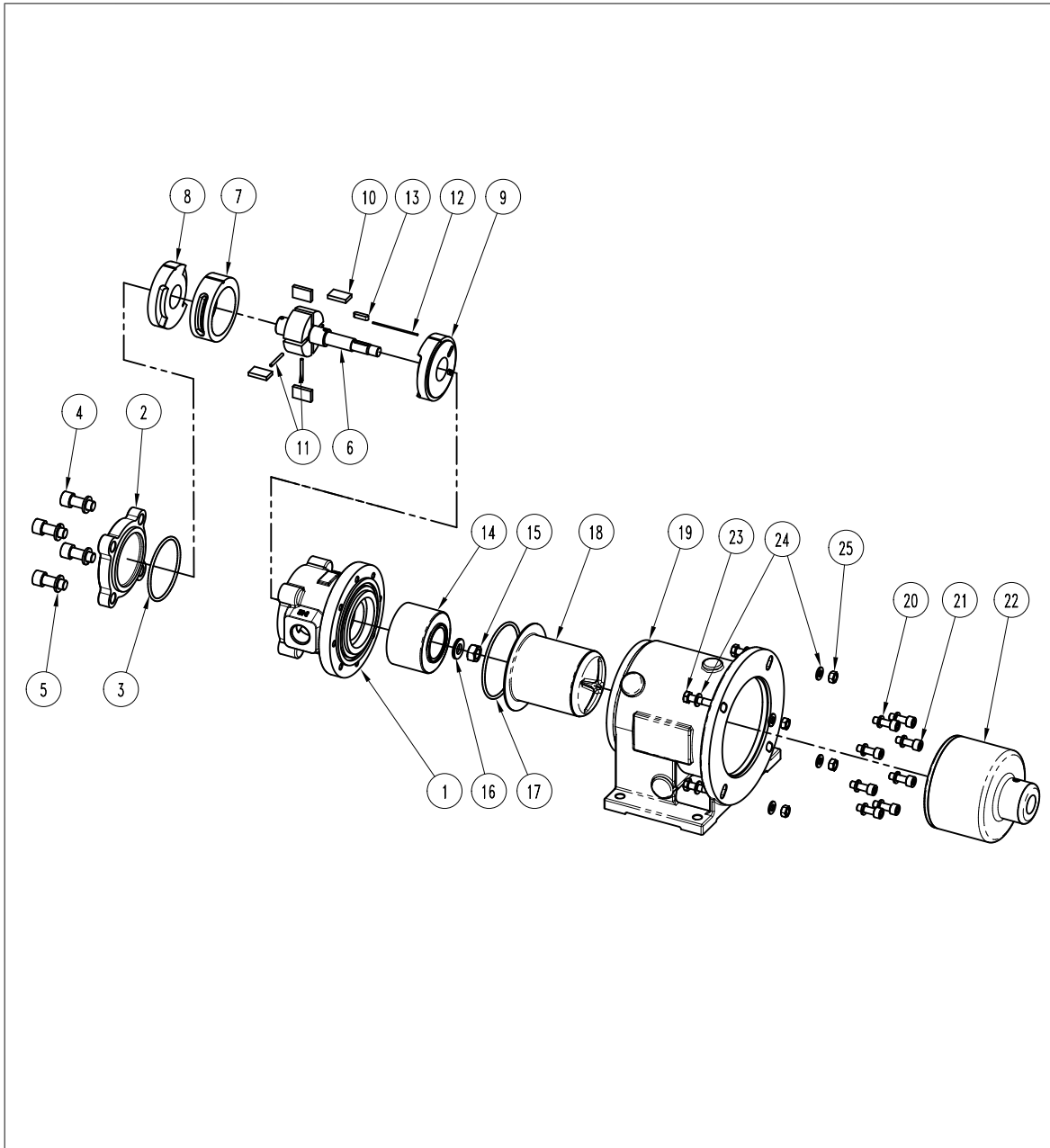


# EXPLODED VIEW

CODE: E10143 Rev.:01



## PART LIST

ITEM N°	CODE	Description	Material	Q.ty
1	56210VMLAG	Pump casing BSP	CF8M	1
	56210VMLAN	Pump casing NPT		
2	55520VMLA	Pump casing cover	CF8M	1
3	92910V7580	O-Ring 4300/BS234	Viton	1
4	91610TCEI1230A2	Screw UNI5931 M12x30	A2-70	4
5	91630S01221A2	Washer UNI1751 D.12x21	A2-70	4
6	501600VMA	Rotor	AISI 316	1
7	92410FVM15	Stator VM 1500 L/h	Graphite	1
	92410FVM20	Stator VM 2000 L/h		
8	51110FVMA	Front disc	Graphite	1
9	51110FVMP	Rear disc	Graphite	1
10	92010FVM	Vane	Graphite	4
11	916501500A2	Pins L1500	AISI 316	2
	916502000A2	Pins L2000		
12	91650VMA2N	Guide pins	AISI 316	1
13	91640A5520A4	Key UNI6604 5x5x20	A4-70	1
14	55820T0003NA	Internal magnet	AISI316/NdFeB	1
15	91630L1319A4	Washer NORD LOCK D.12x19.5	A4-70	1
16	91620N12A2	Nut UNI5588 M12	A2-70	1
17	92910V9167	O-Ring 4362/BS239	Viton	1
18	9080A13013	Rear casing	AISI 316	1
19	56110VM10C	Bracket	WCB	1
20	91630S0814A2	Washer UNI1751 D.8x14	A2-70	8
21	91610TCEI825A2	Screw UNI5931 M8x25	A2-70	8
22	55810T000310N	External magnet	A105/NdFeB	1
23	91610TE835A2	Screw UNI24017 M8x35	A2-70	4
24	91630N0816A2	Washer UNI6592 D.8x16	A2-70	8
25	91620N08A2	Nut UNI 5588 M8	A2-70	4

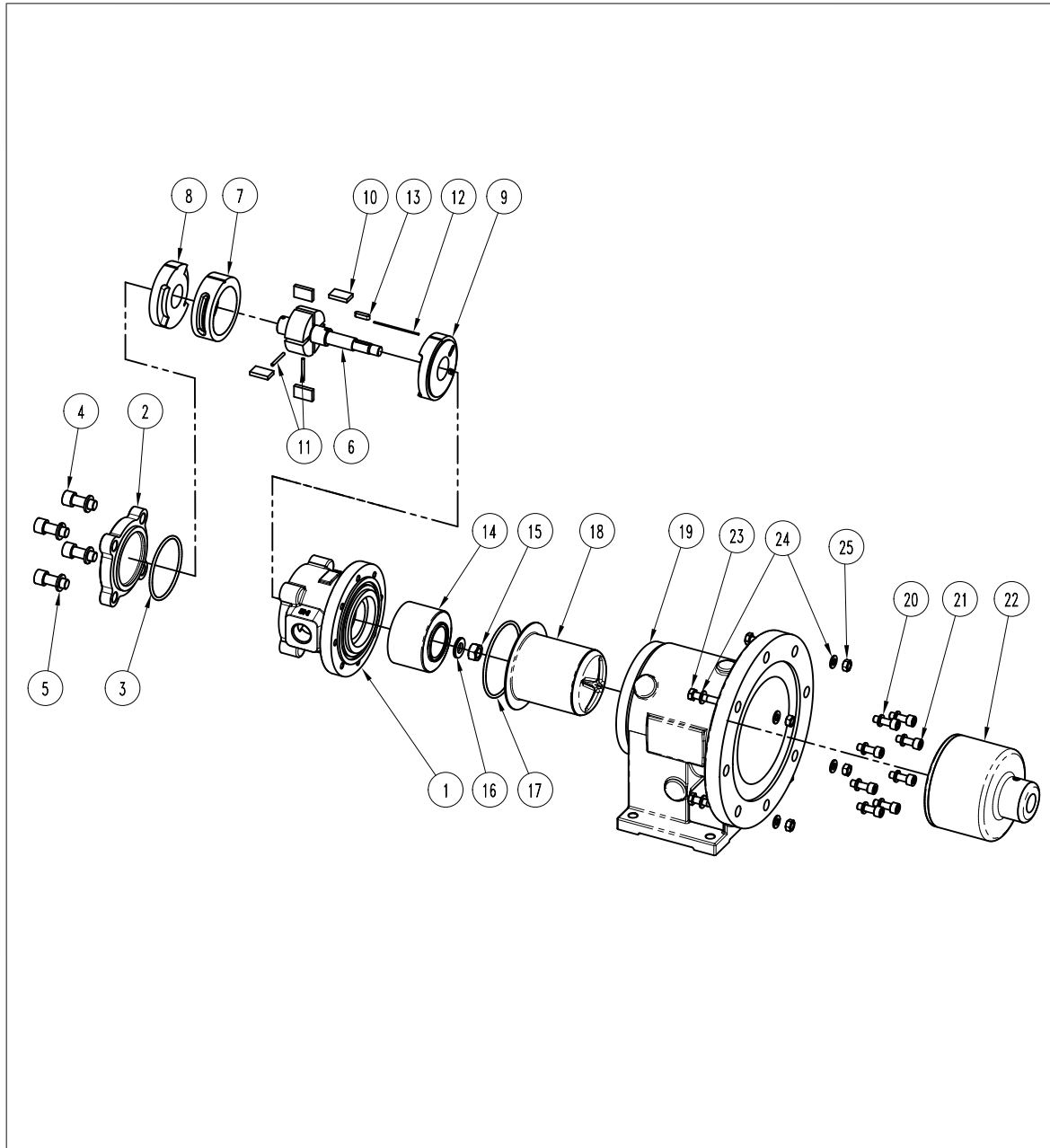
Std version  
ITEM:  
Pump model: VM IN LINE

Motor: IEC Gr 90  
Port connection: Threaded  
BSP-F UNI ISO 228/1 | NPT-F USAS B2-1/1968

- This drawing is for reference only

# EXPLODED VIEW

CODE: E11102 Rev.:00



## PART LIST

ITEM N°	CODE	Description	Material	Q.ty
1	56210VMLAG	Pump casing BSP	CF8M	1
	56210VMLAN	Pump casing NPT		
2	55520VMLA	Pump casing cover	CF8M	1
3	92910V7580	O-Ring 4300/BS234	Viton	1
4	91610TCEI1230A2	Screw UNI5931 M12x30	A2-70	4
5	91630S01221A2	Washer UNI1751 D.12x21	A2-70	4
6	501600VMA	Rotor	AISI 316	1
7	92410FVM15	Stator VM 1500 L/h	Graphite	1
	92410FVM20	Stator VM 2000 L/h		
8	51110FVMA	Front disc	Graphite	1
9	51110FVMP	Rear disc	Graphite	1
10	92010FVM	Vane	Graphite	4
11	916501500A2	Pins L1500	AISI 316	2
	916502000A2	Pins L2000		
12	91650VMA2N	Guide pins	AISI 316	1
13	91640A5520A4	Key UNI6604 5x5x20	A4-70	1
14	55820T0003NA	Internal magnet	AISI316/NdFeB	1
15	91630L1319A4	Washer NORD LOCK D.12x19.5	A4-70	1
16	91620N12A2	Nut UNI5588 M12	A2-70	1
17	92910V9167	O-Ring 4362/BS239	Viton	1
18	9080A13013	Rear casing	AISI 316	1
19	56110VM12C	Bracket	WCB	1
20	91630S0814A2	Washer UNI1751 D.8x14	A2-70	8
21	91610TCEI825A2	Screw UNI5931 M8x25	A2-70	8
22	55810T000412N	External magnet	A105/NdFeB	1
23	91610TE835A2	Screw UNI24017 M8x35	A2-70	4
24	91630N0816A2	Washer UNI6592 D.8x16	A2-70	8
25	91620N08A2	Nut UNI 5588 M8	A2-70	4

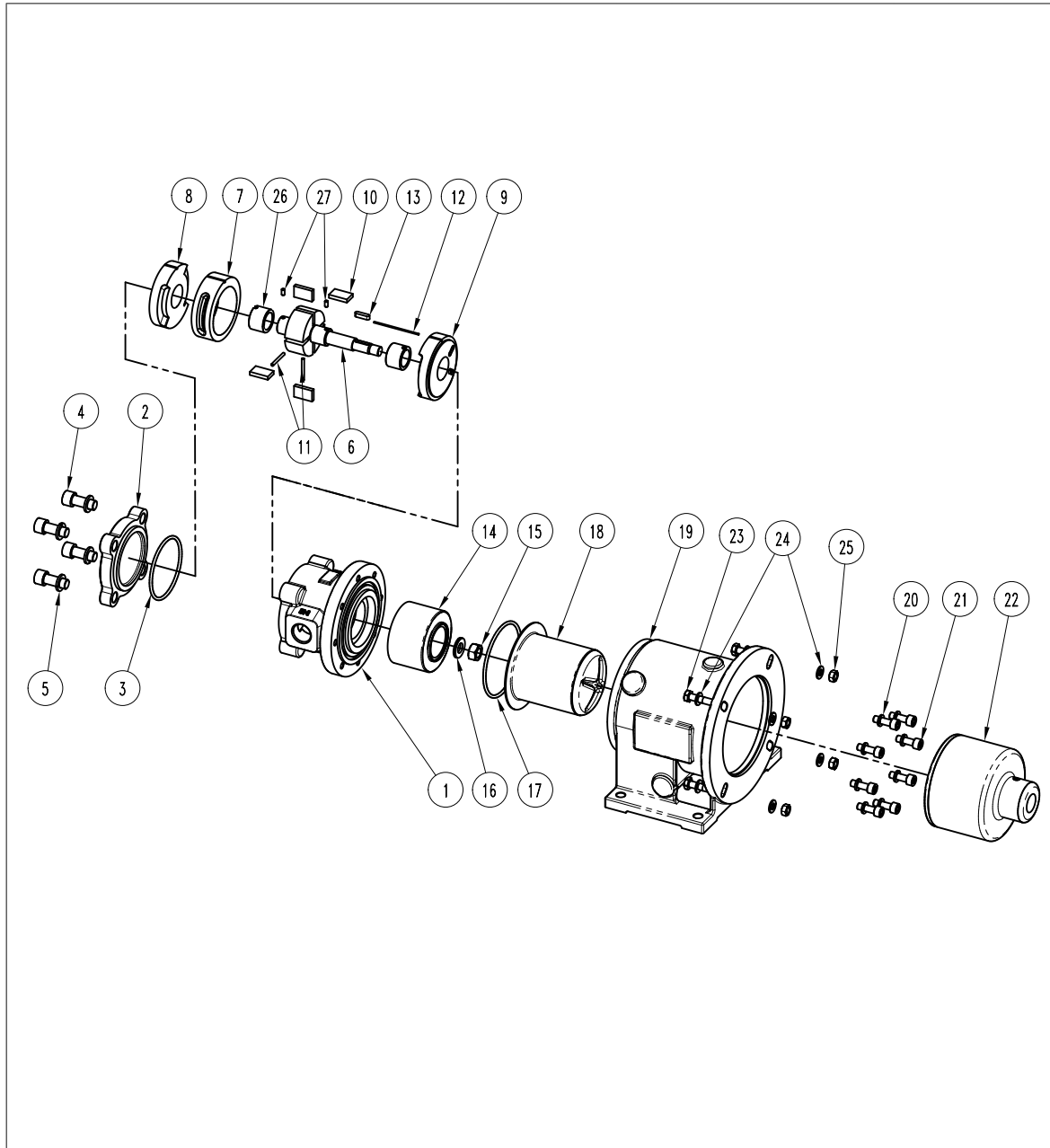
Std version  
 ITEM:  
 Pump model: VM IN LINE

Motor: IEC Gr 100/112  
 Port connection: Threaded  
 BSP-F UNI ISO 228/1 | NPT-F USAS B2-1/1968

- This drawing is for reference only

# EXPLODED VIEW

CODE: E10233 Rev.:01



## PART LIST

ITEM N°	CODE	Description	Material	Q.ty
1	56210VMLAG	Pump casing BSP	CF8M	1
	56210VMLAN	Pump casing NPT		
2	55520VMLA	Pump casing cover	CF8M	1
3	92910V7580	O-Ring 4300/BS234	Viton	1
4	91610TCEI1230A2	Screw UNI5931 M12x30	A2-70	4
5	91630S01221A2	Washer UNI1751 D.12x21	A2-70	4
6	501600VMSA	Rotor	AISI 316	1
7	52410RVM15	Stator VM 1500 L/h	Metcar 312	1
	52410RVM20	Stator VM 2000 L/h		
	52410RVM30	Stator VM 3000 L/h		
8	91110RVMAS	Front disc	Metcar 312	1
9	91110RVMP5	Rear disc	Metcar 312	1
10	92010RVM	Vane	Metcar 312	4
11	916501500A2	Pins L1500	AISI 316	2
	916502000A2	Pins L2000		
	916503000A2	Pins L3000		
12	91650VMA2N	Guide pins	AISI 316	1
13	91640A5520A4	Key UNI6604 5x5x20	A4-70	1
14	55820T0003NA	Internal magnet	AISI316/NdFeB	1
15	91630L1319A4	Washer NORD LOCK D.12x19.5	A4-70	1
16	91620N12A2	Nut UNI5588 M12	A2-70	1
17	92910V9167	O-Ring 4362/BS239	Viton	1
18	9080A13013	Rear casing	AISI 316	1
19	56110VM10C	Bracket	WCB	1
20	91630S0814A2	Washer UNI1751 D.8x14	A2-70	8
21	91610TCEI825A2	Screw UNI5931 M8x25	A2-70	8
22	55810T000310N	External magnet	A105/NdFeB	1
23	91610TE835A2	Screw UNI24017 M8x35	A2-70	4
24	91630N0816A2	Washer UNI6592 D.8x16	A2-70	8
25	91620N08A2	Nut UNI 5588 M8	A2-70	4
26	90230S030020	Sleeve rotor	SiC	2
27	916700410A4	Socket screw UNI5927 M4x10	A4-70	2

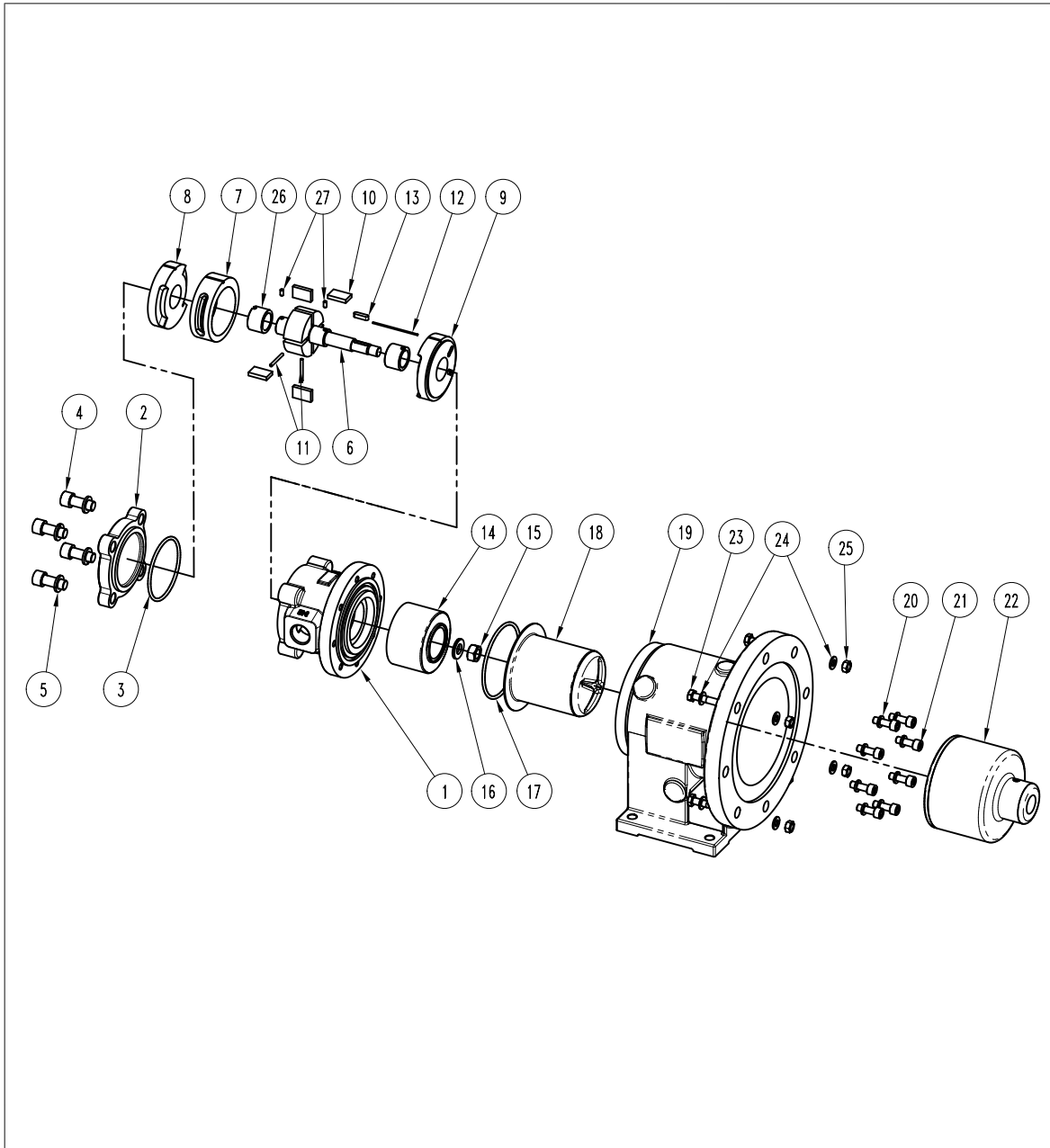
Pump model: VM IN LINE  
ITEM:  
1 SiC version

Motor: IEC Gr 90  
Port connection: Threaded  
BSP-F UNI ISO 228/1 | NPT-F USAS B2-1/1968

- This drawing is for reference only

# EXPLODED VIEW

CODE: E11101 Rev.:00



## PART LIST

ITEM N°	CODE	Description	Material	Q.ty
1	56210VMLAG	Pump casing BSP	CF8M	1
	56210VMLAN	Pump casing NPT		
2	55520VMLA	Pump casing cover	CF8M	1
3	92910V7580	O-Ring 4300/BS234	Viton	1
4	91610TCEI1230A2	Screw UNI5931 M12x30	A2-70	4
5	91630S01221A2	Washer UNI1751 D.12x21	A2-70	4
6	501600VMSA	Rotor	AISI 316	1
7	52410RVM15	Stator VM 1500 L/h	Metcar 312	1
	52410RVM20	Stator VM 2000 L/h		
	52410RVM30	Stator VM 3000 L/h		
8	91110RVMAS	Front disc	Metcar 312	1
9	91110RVMP5	Rear disc	Metcar 312	1
10	92010RVM	Vane	Metcar 312	4
11	916501500A2	Pins L1500	AISI 316	2
	916502000A2	Pins L2000		
	916503000A2	Pins L3000		
12	91650VMA2N	Guide pins	AISI 316	1
13	91640A5520A4	Key UNI6604 5x5x20	A4-70	1
14	55820T0003NA	Internal magnet	AISI316/NdFeB	1
15	91630L1319A4	Washer NORD LOCK D.12x19.5	A4-70	1
16	91620N12A2	Nut UNI5588 M12	A2-70	1
17	92910V9167	O-Ring 4362/BS239	Viton	1
18	9080A13013	Rear casing	AISI 316	1
19	56110VM12C	Bracket	WCB	1
20	91630S0814A2	Washer UNI1751 D.8x14	A2-70	8
21	91610TCEI825A2	Screw UNI5931 M8x25	A2-70	8
22	55810T000412N	External magnet	A105/NdFeB	1
23	91610TE835A2	Screw UNI24017 M8x35	A2-70	4
24	91630N0816A2	Washer UNI6592 D.8x16	A2-70	8
25	91620N08A2	Nut UNI 5588 M8	A2-70	4
26	90230S030020	Sleeve rotor	SiC	2
27	916700410A4	Socket screw UNI5927 M4x10	A4-70	2

Pump model: VM IN LINE  
ITEM:  
1 SiC version

Motor: IEC Gr 100/112  
Port connection: Threaded  
BSP-F UNI ISO 228/1 | NPT-F USAS B2-1/1968

- This drawing is for reference only