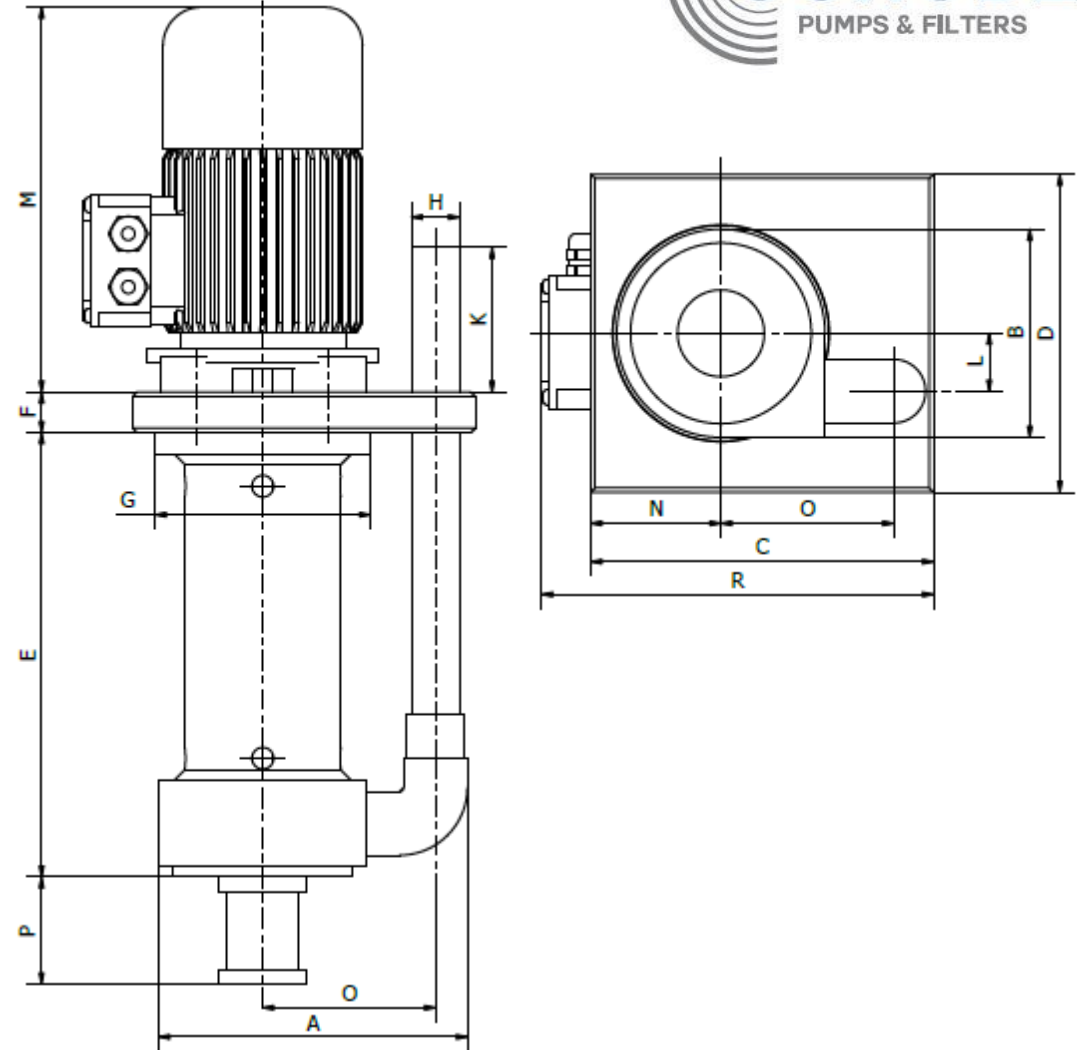
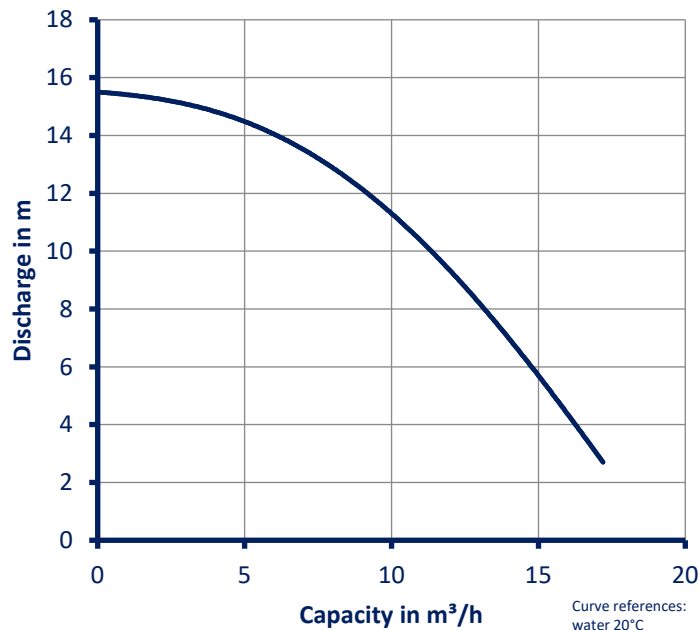


## Technical data Corode CS vertical pump

# CS400-110 PP/ PVDF

Materials available :PP or PVDF  
 O-ring :EPDM or Viton  
 Max. flow :17.2m<sup>3</sup>/h  
 Max. head :15.2m.  
 Max. temperature :PP 75°C; PVDF 90°C  
 Motor :1.1kW, 230/400V, 3.75/2.15Amp, 3Ph, 50Hz, IP55

**CS400-110**



	A	B	C	D	E	F	G	H	K	L	M	N	O	P	R
<b>CS400-110</b>	245	184	285	240	375	25	200	40	125	45	265	115	130	80	293

[www.corode.eu](http://www.corode.eu)  
 tel: +31 (0)161-244250  
 corode@corode.nl