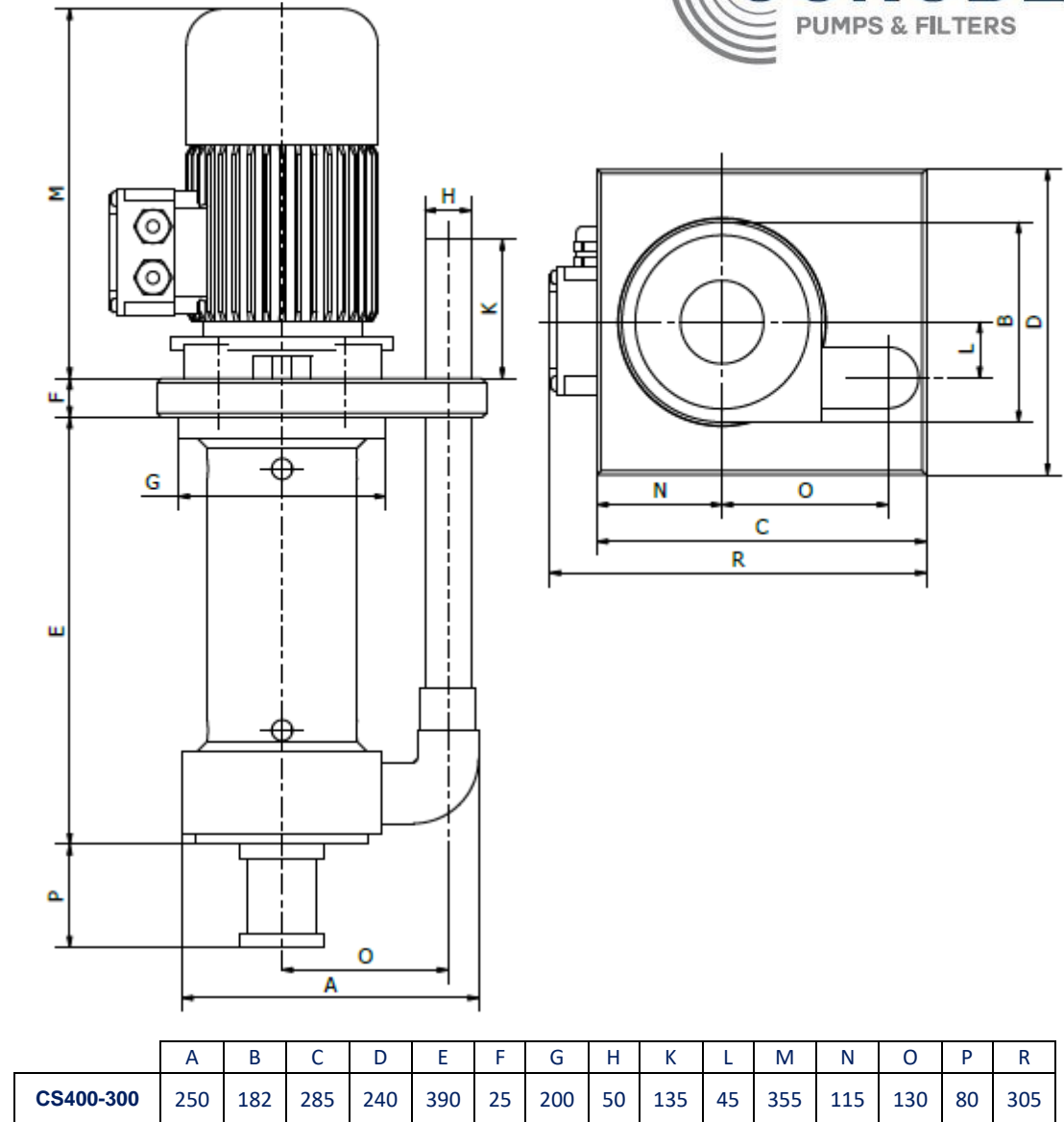
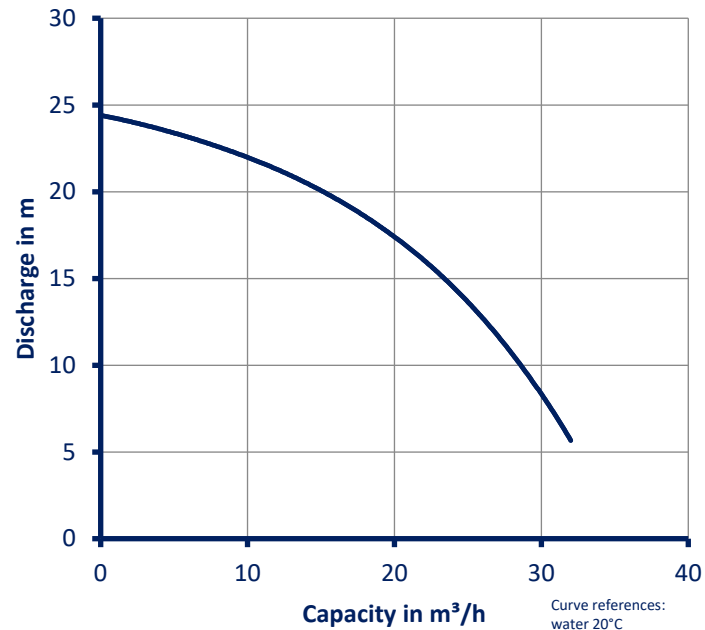


## Technical data Corode CS vertical pump

# CS400-300 PP/ PVDF

Materials available	:PP or PVDF
O-ring	:EPDM or Viton
Max. flow	:32m <sup>3</sup> /h
Max. head	:24m.
Max. temperature	:PP 75°C; PVDF 90°C
Motor	:3kW, 230/400V, 10.8/6.2Amp, 3Ph, 50Hz, IP55

### CS400-300



[www.corode.eu](http://www.corode.eu)

tel: +31 (0)161-244250

corode@corode.nl